



JAN'S

**ANCHOR & CHAIN
HANDBOOK**

www.CastleHills.no



Castle Hills

BY JAN VINDENES

JAN'S

Anchor & Chain

HANDBOOK

2025 EDITION

LEAD EDITOR:

Daniel Díaz Ramos

Madrid@CastleHills.no

A collection of over forty thousand measurements, of approximately one hundred different types of anchors and chains, with a technical drawing accurately illustrating each one of them.

Over 1200 hours of work brought to you for free in this gift, with the aim of helping you on your day to day work, saving you time, and simplifying any sort of mooring, or anchor and chain operation.



INDEX

Index	4
-------	---

ABOUT US

History	6
Jan Vindenes	7
The Tax Protest	8
Plastic Whale	10
Pokemon Go Statue	12
Global Locations	14
Products	16

MANUALS

Chain Painting	19
Swivel Shackle Assembly	20
Dismantling Kenter Shackle	21
Delta Anchor Assembly	22
Piggy Backing	23
LTM Chain Configuration	24
Ship Chain Configuration	25

ANCHORS

Resources	26
Proof Load Tests	27
Stevpris Mk6 UHC	28
Stevpris Mk5 UHC	29
Stevin Mk3 UHC	30
Comparison UHC	31

Stockless Anchors	32
Hall	34
Spek	37
Spek M	40
Union	43
Byers	44
Baldt	47

ANCHORS

Gruson	49
US Navy Stockless	51

HHP Anchors	52
TW Type	54
N Type	57
AC-14	60
D'Hone	64

Offshore Anchors	66
Stevpris Mk6	68
Stevpris Mk5	70
Stevin Mk3	72
Stevmanta	73
Super Delta	74
Flipper Delta	75
LWT Light Weight	76
Danforth	77
Bruce Mk4 FFTS	78
Bruce TS	79

Plough Anchors	80
Stingray	82
Bruce SS	83
Sandig	84
Mushroom	85

CHAIN

Tables	86
Weights & Sizes	87
Strength	88
Equipment Table	92
Chain Locker	93
Mechanical Properties	94
Wear Limits	95

CHAIN

Chain Links	96
Main Components	97
Enlarged Link	98
Common Link	99
Studless Link DIN 763	100
Studless Link ISO 1704 Mod	101
End Link	102
Weak Link	103

Ship Chain

Ship Chain	104
Stud Link	106
3 Link Adaptor	107
Kenter Joining Shackle	108
Pear Shackle	109
Joining Shackle Type D	110
Anchor Shackle Type D	111
Crown Pin Shackle	112
Swivel Forerunner	113
Short Swivel Forerunner	114
Swivel Shackle Type A	115
Swivel Shackle Type B	116

Offshore Chain

Offshore Chain	118
Studless Chain ISO 1704	120
Stud Link	121
5 Link Adaptor	122
11 Link Adaptor	124
D-LTM Anchor Shackle	125
D Anchor Shackle	126
Anchor Kenter Shackle	127
H Link	129
Slim Kenter Joining Shackle	130
D-LTM Joining Shackle	131
Installation Link	132
C-Connector	133

CHAIN

Dacmatech Swivel	134
Nautilus Swivel	135

Mooring Chain

Mooring Chain	136
Stud Link	138
Studless	139
Forelock Buoy Shackle	142
D-LTM Joining Shackle	143
Wide Body Shackle	144
Safety Bow Shackle	146
Mooring Shackle	148

Chafe Chain

Chafe Chain	150
Chafe Chain	152
OFIMF Chafe Chain	153

Chasing Equipment

Chasing Equipment	154
Chain Chasers	155
Grapnel Hooks	158

FENDERS

FENDERS	
Fenders in Stock	160
World Record D Fender	164

BUOYS

BUOYS	
Buoys in Stock	166
Installation Custom Buoys	168

DECKING & TOWING

DECKING & TOWING	
Decking & Towing	170

DECORATION

DECORATION	
Decoration	172



THE PRESENT: Breaking Records

2023 - Building The Castle - A new Head Office for Castle Hills

Our Family has been famous since the Middle Ages for building castles, like the Audunsborg Castle. We wanted to build a new one. The construction of the new castle began in 2023.

2022 - Delivering over 2000 tones of Chain to Rescue a Tanker Ship

In the year 2022 Castle Hills made a historic international delivery: More than 2000 tones of chain delivered to rescue giant tanker ship of class FSO, with the value of thirty millions.

2010 - 2020: Rise to Fame

2020 - Norwegian Prime Minister and TV visits Jan Vindenes' Monument

After discovering the dead "plastic whale" in 2017, a shocking sign of ocean pollution, 3 years later Jan built a monument as a reminder. This event was omnipresent in television.

2017 - Dumping 25 Tones of Chains in the Tax Office

The rise to fame of Jan Vindenes began way earlier than 2017, but this year shocked global newspapers for his particular protest against wealth tax: Paying tax with 25 tones of ship chain.

1980 - 2010: A Family Firm

2010s - Strong Presence in the maritime market

After half a lifetime in the maritime industry, the Vindenes' Family Firm, was unmistakably an expert and leading supplier of maritime equipment for ships and offshore rigs.

1980s - The Vindenes Family starts it's own Corporation

With the sudden rise of the Oil & Gas Industry, an extremely high demand for maritime equipment made suppliers very profitable. Because of this, Jarle, Jan's father, decided to join the market.

1960 - 1970: Hard Times

1970s - A Freight Ship named Mona joins the Vindenes Family

Life in Norway was hard at the time, and one fishing boat wasn't enough. Karl Olai acquired a freight ship and gave it the name "Mona" this boat was essential for bringing food to the family.

1960s - A Humble, Hard Working Family dedicated to Fishing

On the times of Jan's Grandfather the family worked in fishing. Thanks to owning a fishing boat, Karl Olai Vindenes he could feed his 11 siblings, after the early death of his father.

1300 - 1900: Strile People

1900s - The Peak of the relevance of the Strile People

In the 1900s the Strile People peaked in population, maintaining the 600 years lasting Stril Trade Route that supplied fish to the city of Bergen, directly from the cold seas of Sotra.

1300s - The Origin and Heritage of the Strile People, our people

Strile People refer to humble and hard working fishermen and sailors who lived in the island of Sotra and nearby. We can trace 13 generations of hard working Strils, up to Rasmus Vindenes.

1100 - 1300: The Origins

1300s - Our Family's Castle and our Ancestors in Nobility

Our obsession with building castles began around 700 years ago. Our ancestor, the Duke of Iceland, Audun Hugelksson built our first castle, the Audunsborg Castle, near Bergen.

1260s - Reign of Magnus VI Haakonsson, our Relative

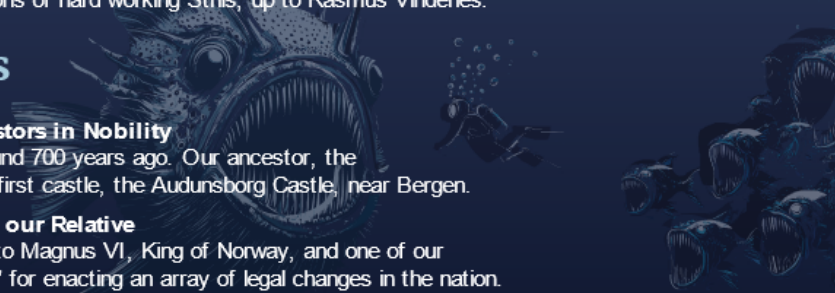
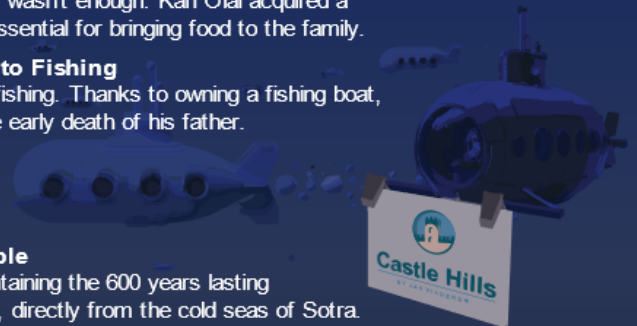
The Legacy of our family can be traced back to Magnus VI, King of Norway, and one of our family relatives. He was called "The Legislator" for enacting an array of legal changes in the nation.

1200s - The oldest known ancestors of the Vindenes Family

Hugelk from Álhus was a noble with the title of "Lord" and was a prominent businessman and magnate with over 30 farms in Jølster, Norway. He lived in the Court of the King Hákon Hákonson.

1100s - Post Viking Era in Sotra, our parent island

After the Fall of the Vikings, our ancestors in Sotra focused on fishing and farming. Large stone monuments are kept from this time, and their purpose is still uncertain.



Our Founder – Jan Vindenes



Jan Vindenes is known as Mr. Anchor & Chain after 30 years in the industry. He started working at his fathers local scrap trading company in 1992 and made the company world famous. His Anchor & Chain handbook was printed in 75,000 copies and is in daily use within the whole maritime sector. In Norway he became an legend when he loaded a truck with 25 tons of chains and dumped it at the tax collector as a payment of his capital tax.

In 2016 he made the world first Pokemon Go Statue and made a video that was published all over the world from REUTERS, REDDIT and hundreds of others. In 2020 he raised a whale monument in his hometown Vindenes, at Sotra, to honor the “plastic whale” that stranded on the beach. SKY NEWS made a documentary with Mr. Jan Vindenes to focus the problem with plastic in ocean, aired worldwide in 160 countries.

Top Stories:



Jan and his famous monument, the first Pokemon Go Statue



Jan and the Prime Minister at the Plastic Whale Monument



Jan covering the local Tax Office with 25 tons of chain



Top Stories – The Tax Protest

Norway is famous for many things, such as the fjords, the northern lights, and aggressively high taxes. Besides having the largest sovereign fund in the World, with over 1 Trillion US dollars accumulated, it is one of the few 12 nations to enforce Wealth Tax.

Besides having one of the World's highest income taxes, VAT, high corporate taxes, and one of the largest oil reserves to exist in this planet, apparently that wasn't enough for the Norwegian Government. It needed to tax all residents 1% of their assets, year after year until you are left with nothing.

Funnily enough, the law establishing wealth tax leaves room to several interpretations, and Jan Vindenes knew that.

Dumping 250 tonnes of chain at the Tax Office:

There is no law stating that you can not pay your wealth taxes with 84mm stud link anchor chain.

Taking this fact in mind, Jan Vindenes, a man of curiosity, was decided to test this theory and to evaluate up to what extent this was possible.

Jan and his hard working team spent the entire morning preparing for such great event, collecting 250 tonnes of anchor chain, putting it in crane trucks and delivering it to the local tax office. The authorities took no time to react, once the trucks were approaching the government facilities several newspapers were alerted, and approached the scene to find out what was going on.

This is the moment when our Founder and General Manager Jan Vindenes began his rise to fame as a businessman, and as a freedom fighter. Or at least, a well-known wealth tax fighter.

Unfortunately the tax authorities didn't know how to appreciate 250 tonnes of chain and did not accept it as a tax payment, but at least it made the Norwegian people aware of the importance of fighting for what you think is fair.



Top Stories – The Plastic Whale

In the year 2019 General Manager Jan Vindenes built a monument to commemorate the 2017 Plastic Whale incident, inaugurated by the Norwegian Prime Minister, other cabinet members and the Norwegian authorities.

The goal of this ceremony and it's sculpture was to set a permanent reminder of the effects of plastic pollution over the environment.

The story began in 2017, when a dying whale was found in the coasts of Vindenes, just 50 meters away from Jan's house. The shocking component of the story was found by the local authorities, after removing thirty plastic bags from the whale's stomach. For countless days this whale had been navigating the oceans while suffering, disoriented and waiting to die, as a direct consequence of human pollution.

Spreading awareness:

This shocking incident, and all the national and international attention was the perfect opportunity for Jan Vindenes to spread a message of awareness. After participating in the famous documentary "A Plastic Whale" by SKY NEWS televised across 180 countries, he decided in 2019 to raise a monument to keep alive the memory of the whale, and the message of sustainable development.

In 2024 Jan Vindenes and his Plastic Whale Monument were honored in the euro banknotes printed by the European Central Bank.





Top Stories – The Pokemon Go Statue

It was the year 2016, and the popular game Pokemon Go just launched. The game was a hit across cities all over the World, but in the remote and isolated island of Sotra trying the game that everyone was talking about was not that easy:

You had to drive for tens of kilometers before you could find a single pokestop right before the entrance to Bergen, a major city.

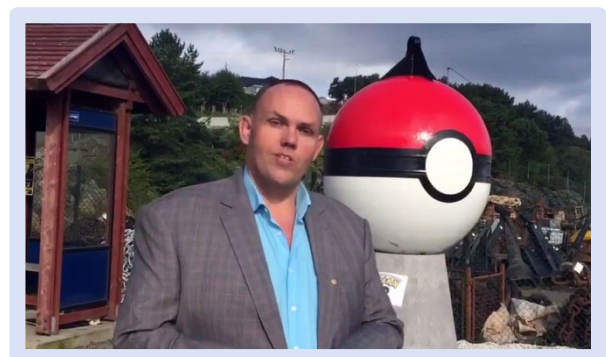
Jan wasn't happy with this, and decided to do what any reasonable man would do in this situation: Build a 2 tonnes pokeball statue, organize an opening ceremony, and wait until Niantic (Pokemon Go owner) noticed it and addressed the issue.

The inauguration of the Pokemon Go statue reached one million views on Facebook in mere hours, and was documented in some of the largest newspapers not only in Bergen, but in Norway. The story also went viral on Reddit, reaching more than 3 million likes in days.

Niantic's response:

Jan's initiative didn't go unnoticed, it took the company Niantic barely a few weeks to give Jan what he wanted: A pokestop right outside his house.

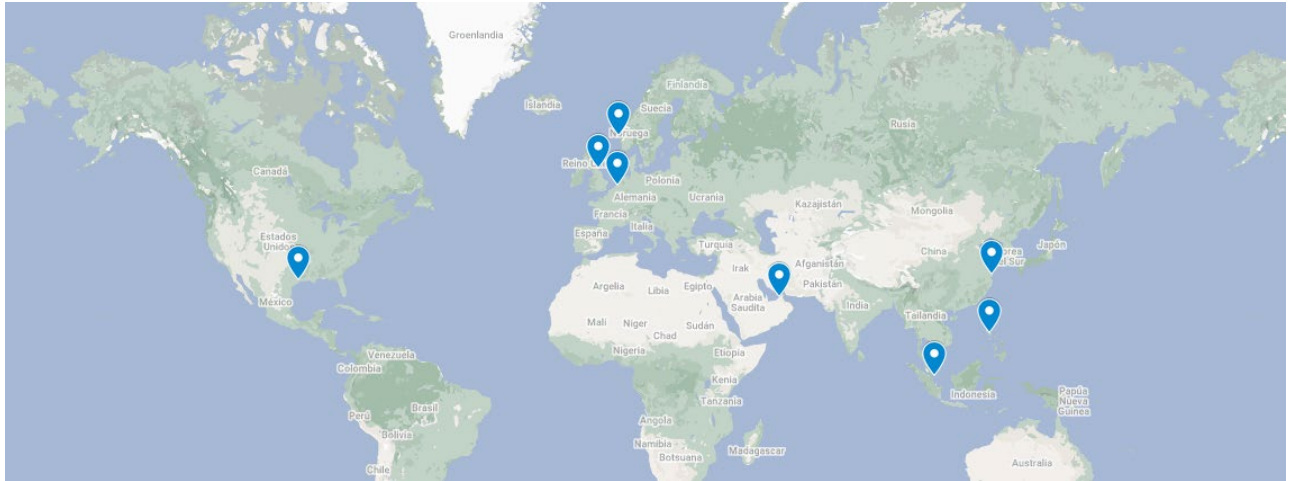
Because of course, if you are going to build a giant pokemon statue with the potential of becoming a pokestop, why not building it 30 meters away from you?





Castle Hills
BY JAH VINDENES

Contact Us – Global Locations



MANAGEMENT

Office of the CEO and General Manager of Castle Hills.

+47 – 55 90 90 20

MANUFACTURE

Place an order to our factories and manufactures.

Shanghai@CastleHills.no

ROTTERDAM

Country Manager for Germany and equipment in Stock in Rotterdam.

Rotterdam@CastleHills.no

SHANGHAI

Country Manager for China and equipment in Stock in Shanghai.

Shanghai@CastleHills.no

WAREHOUSE

Check if an item is in Stock in Norway or any worldwide location.

Castle@CastleHills.no

SALES

Contact the Head Office in Sotra for anchor or chain.

Sotra@CastleHills.no

DUBAI

Oil Industry Products and equipment for Oil & Gas in the Middle East.

Dubai@CastleHills.no

MANILA

Country Manager for the Philippines and equipment in Stock in Manila.

Manila@CastleHills.no

ADMINISTRATION

For inquiries regarding internal or external corporate affairs.

OIP@CastleHills.no

BERGEN

Contact the Head Office in Norway.

Bergen@CastleHills.no

SINGAPORE

Country Manager for Singapore and equipment in APAC.

Singapore@CastleHills.no

MADRID

Contact the Department of Madrid for Spanish speaking employees.

Madrid@CastleHills.no



Anchors



Chains



Fenders



Bollards



Buoys



D Fenders



**Oil Rig
Anchors**



**Panama
Chocks**



**Chain
Gypsies**



Decking



Winches



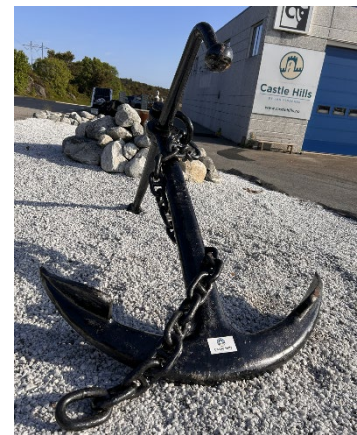
Wire Rope



Shackles



Swivels



Decoration



**Chain
Sinkers**

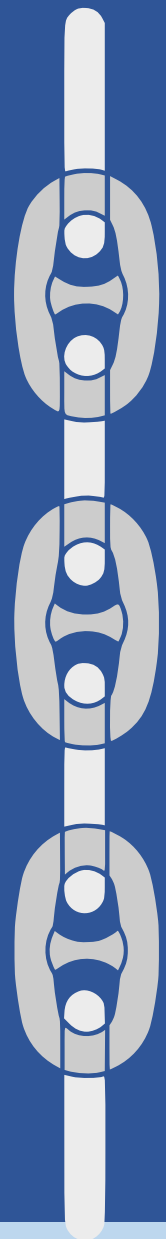


**ISO Tank
Containers**

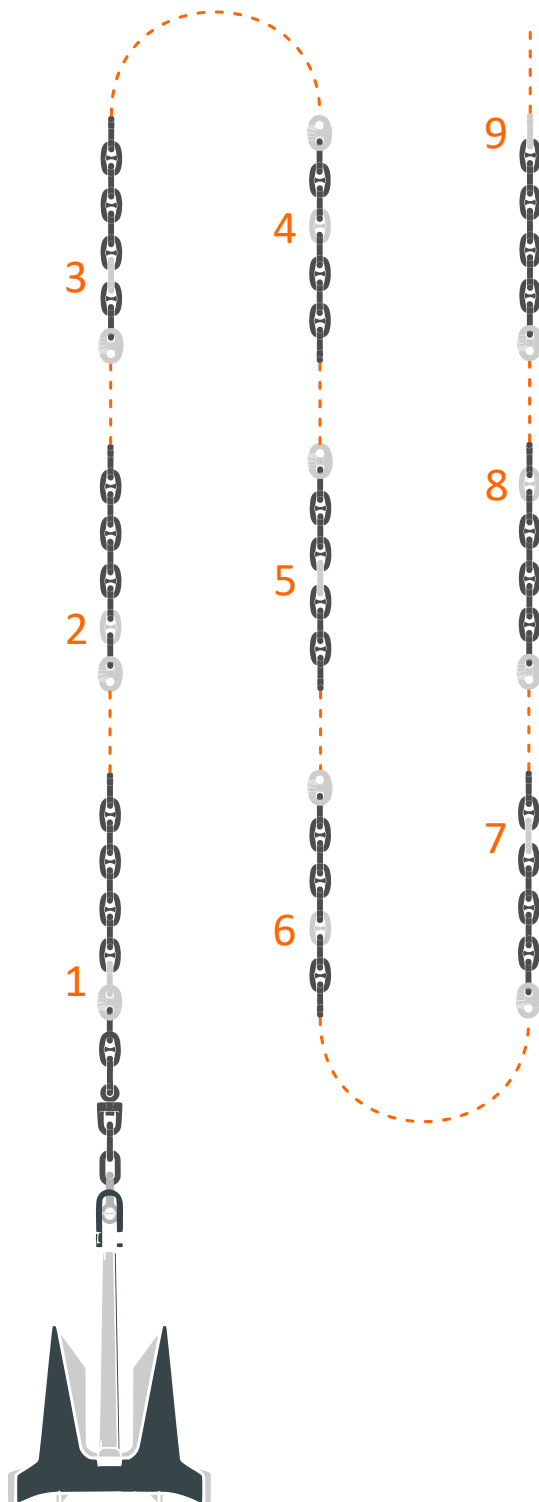


**MAFI Roll
Trailers**

MARITIME MANUALS



Anchor Chain – Painting Process



Painting Kenter Shackles

In order to simplify the process of counting how many meters of chain are in the water, it is a standard procedure to paint every kenter shackle white.

Painting Chain Links

Chain Links are also painted, following a specific pattern. Starting at the kenter shackle the closest to the anchor, the first link is painted white.

On the second kenter shackle, the second link is painted white.

The same goes for the third kenter shackle and the third link.

Measuring chain depth

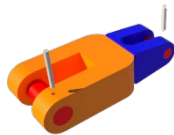
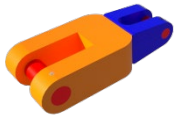
Using this simple rule we can count on board how many links, and therefore, how many meters of chain have been released.

Knowing the number of links between two kenter shackles, and counting the number of the link that is colored white, we can instantly perform this calculation.

All instructions, drawings and recommendations are based on industry standards. Deviation margins, changes, and updates of procedures need to be taken in mind, this is your own responsibility and not from Castle Hills AS.

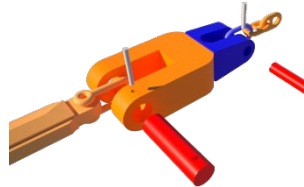
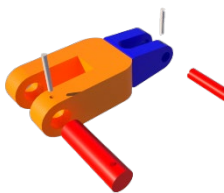


Swivel Shackle – Assembly



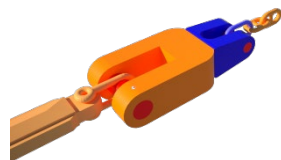
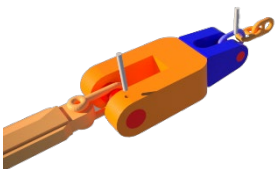
1 – Remove Taper Pins

There are two taper pins (white) securing the bolts (red) in the swivel. With the help of a pin punch and a hammer, or other instruments, they can be easily removed.



2 – Remove the Bolts

The taper pins are now removed, and the bolts (red) are now free to be removed. Now you can insert the anchor crown shackle on the large end (orange) and the adaptor link on the small end (blue).

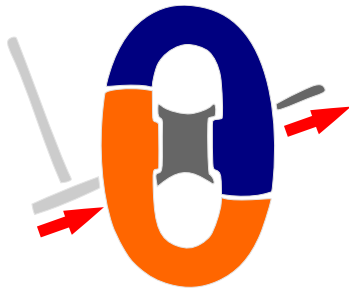


3 – Re-insert the Bolts and Taper Pins

Now that the crown shackle and the adaptor link are in place, you can insert again the bolts into the swivel and the taper pins.

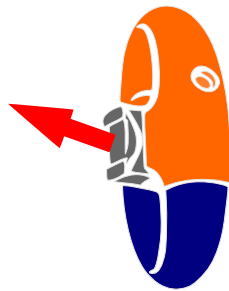
All instructions, drawings and recommendations are based on industry standards. Deviation margins, changes, and updates of procedures need to be taken in mind, this is your own responsibility and not from Castle Hills AS.

Dismantling – Kenter Shackle



1 – Remove the Taper Pin

First of all, remove the Lead Pellet from the Taper Pin, it prevents it from sliding. Helping yourself with a hammer and a thin metal rod, you will remove the Taper Pin of the Kenter Shackle, which is securing the removable core.



2 – Remove the Kenter

The core of the Kenter Shackle can be removed with the help of a hammer once the Taper Pin has been removed.

You can knock it straight out directly, do not apply unnecessary force.



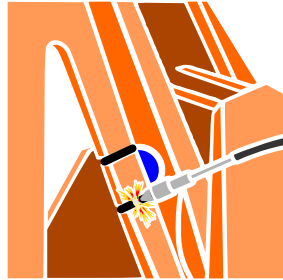
3 – Disassemble

Once the Kenter and the Taper Pin have been removed, you are ready to disassemble the shackle by sliding on opposite directions the two halves, separating them as it is showcased in the illustration.

All instructions, drawings and recommendations are based on industry standards. Deviation margins, changes, and updates of procedures need to be taken in mind, this is your own responsibility and not from Castle Hills AS.

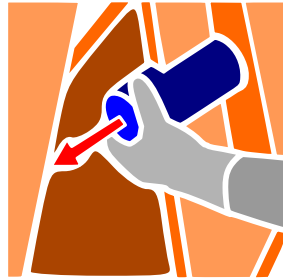
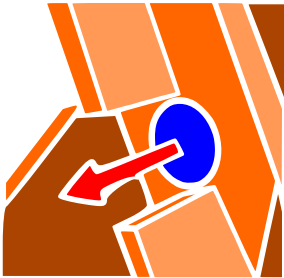


Delta Anchors – Assembly



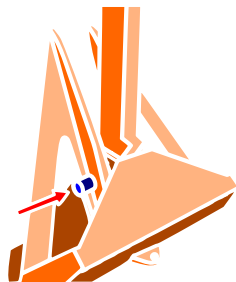
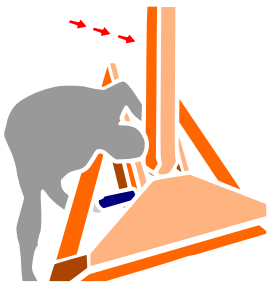
1 – Perform a Cut in the Fluke

Locate the cylindrical pin in the anchor crown, where the shank has to be placed. With the help of metal cutting tools, perform a cut in the fluke in the area indicated, to free the pin.



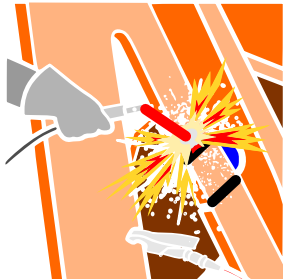
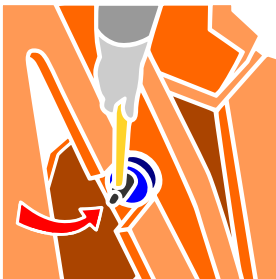
2 – Remove the Pin

The safety pin is now free, and can be easily removed. On the most common sizes it can be removed by hand, but in larger sizes it is recommended to aid yourself with metal handling tools.



3 – Insert the Shank and Secure it with the Pin

With the safety pin removed you can place the shank in the crown of the anchor. Once it is in place, re-insert the safety pin through the shank, as specified.

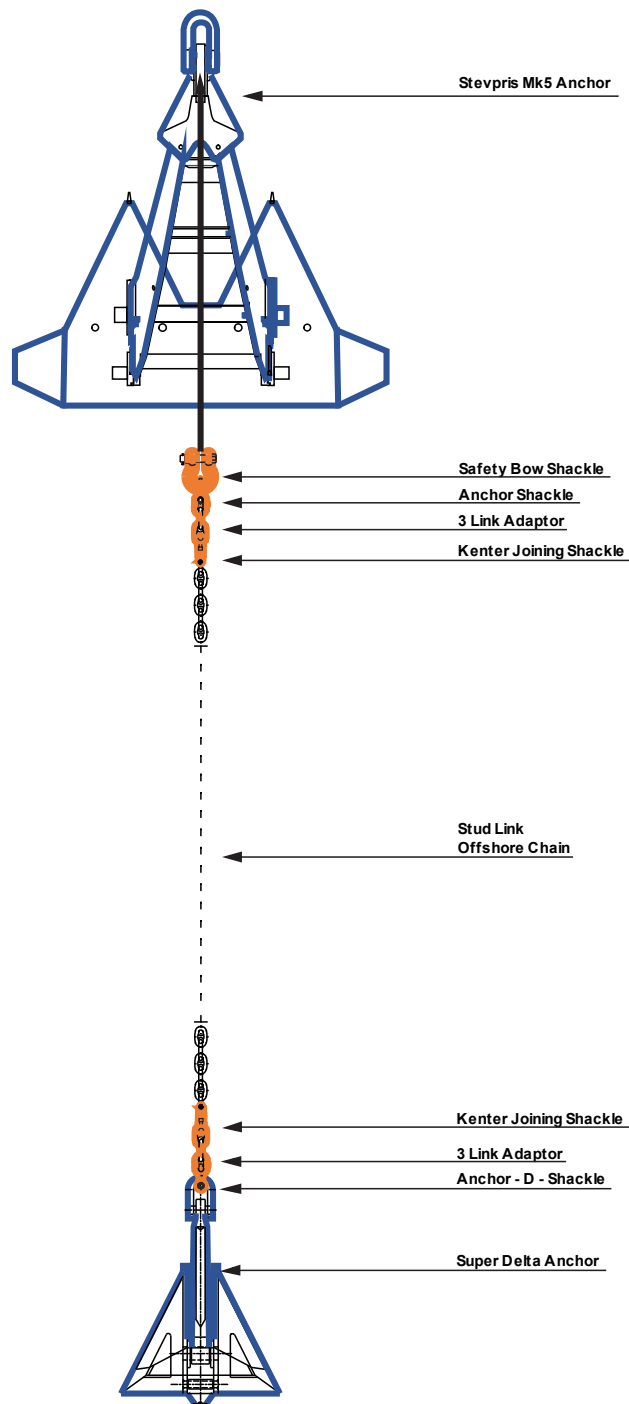


4 – Weld the Fluke and Finish the Assembly

Using a hammer slide the safety pin to the end. Now you can weld into the fluke the piece that you removed in the first step, and your Delta Anchor is finally assembled.

All instructions, drawings and recommendations are based on industry standards. Deviation margins, changes, and updates of procedures need to be taken in mind, this is your own responsibility and not from Castle Hills AS.

Configuration – Piggy Backing



Piggy Backing: Understanding the Concept

Piggy Backing is a simple term in maritime industry mostly applied to Long Term Offshore Mooring.

Sometimes an anchor can not provide enough holding power for an offshore project. In this situation project managers have two options:

- Buying a new anchor which is larger and stronger, but also more expensive.
- Piggy Backing

In simple words, piggy backing refers to attaching an extra anchor line to the main anchor, which easily duplicates it's holding power.

How it's done:

For applying a piggy backing solution it is not necessary to use two anchors of the same size, it is mostly done using a small Delta anchor, of one tenth of the weight.

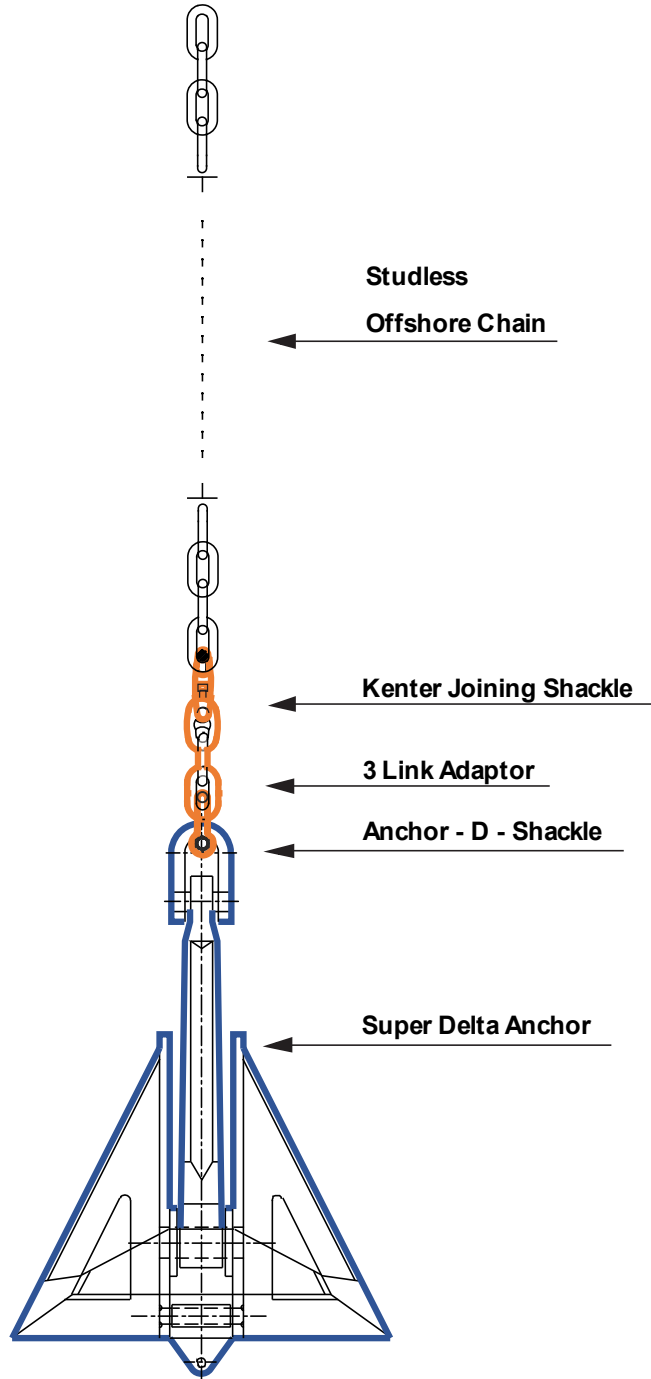
The purpose of this smaller anchor is to secure the main anchor on it's place rather than applying holding power directly, which ultimately results in a much higher holding power on the main line.

This is a cheaper alternative to replacing the main anchor, with the only drawback of a slightly longer installation.

All instructions, drawings and recommendations are based on industry standards. Deviation margins, changes, and updates of procedures need to be taken in mind, this is your own responsibility and not from Castle Hills AS.

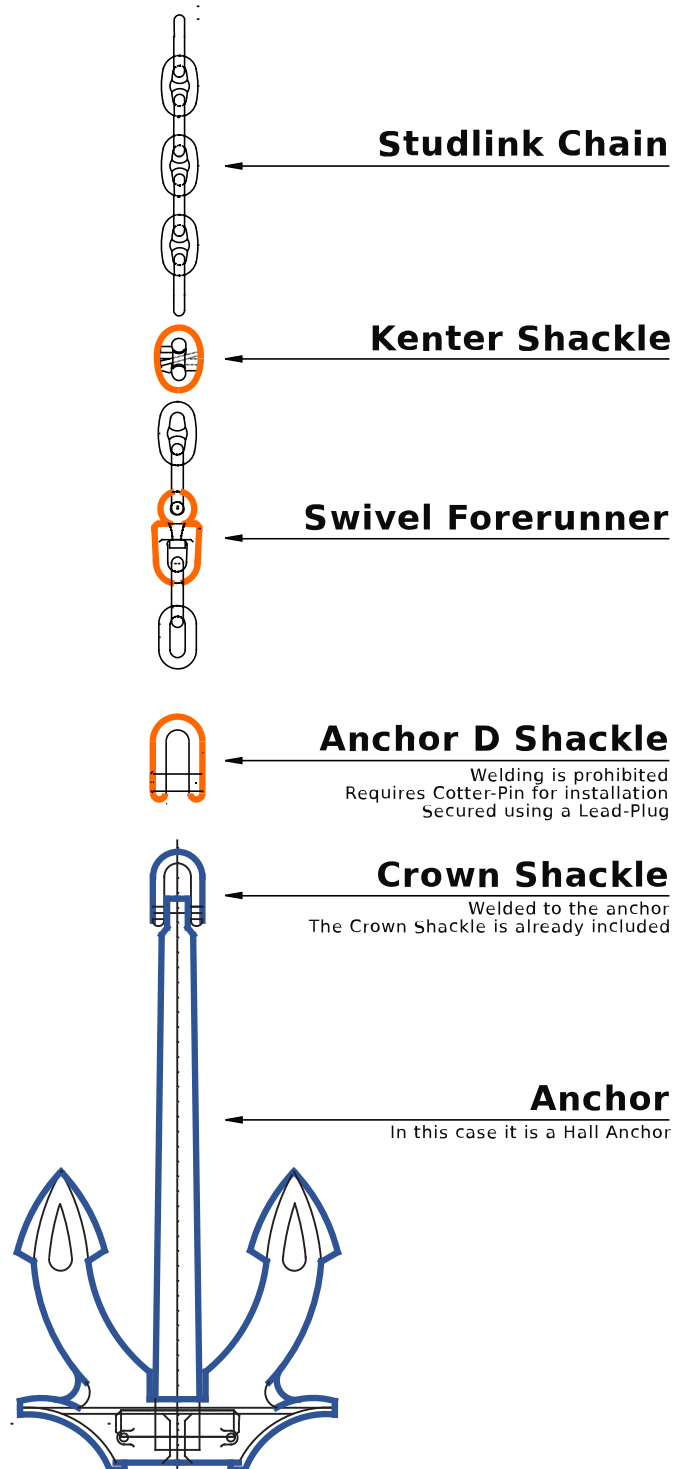


Offshore LTM Chain – Configuration



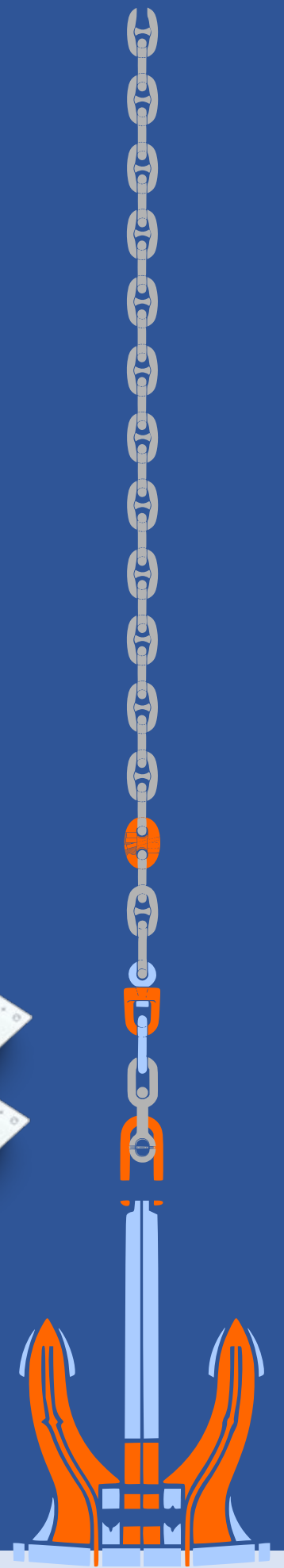
All instructions, drawings and recommendations are based on industry standards. Deviation margins, changes, and updates of procedures need to be taken in mind, this is your own responsibility and not from Castle Hills AS.

Configuration – Ship Chain



All instructions, drawings and recommendations are based on industry standards. Deviation margins, changes, and updates of procedures need to be taken in mind, this is your own responsibility and not from Castle Hills AS.

Anchor Resources



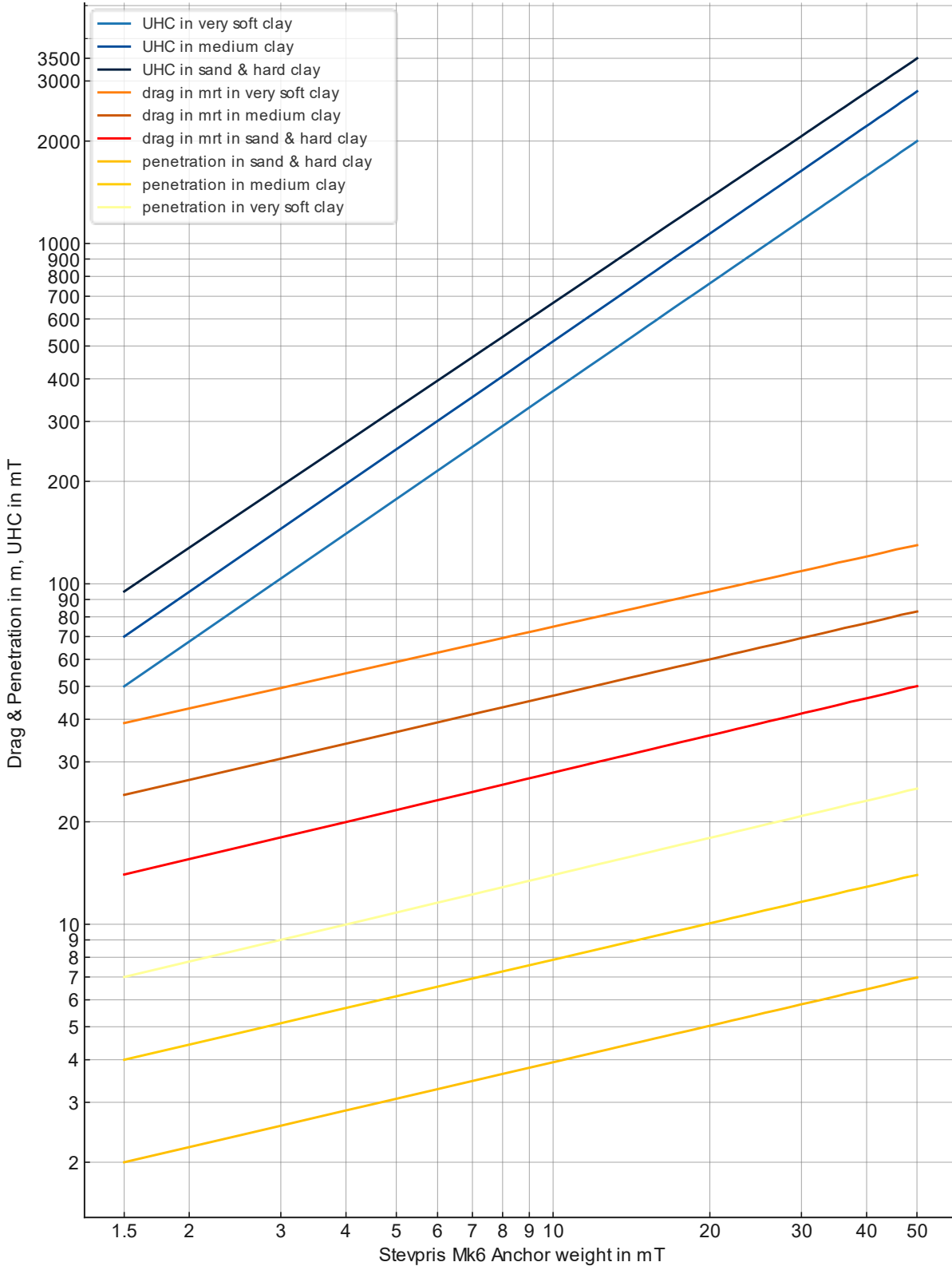
Resources – Proof Load Tests

HPP Anchor kgs	Regular Anchor kgs	Proof Load kN	HPP Anchor kgs	Regular Anchor kgs	Proof Load kN	HPP Anchor kgs	Regular Anchor kgs	Proof Load kN
38	50	23.2	1654	2200	376.0	5865	7800	861.0
41	55	25.2	1729	2300	388.0	6015	8000	877.0
45	60	27.1	1805	2400	401.0	6165	8200	892.0
49	65	28.9	1880	2500	414.0	6316	8400	908.0
53	70	30.7	1955	2600	427.0	6466	8600	922.0
56	75	32.4	2030	2700	438.0	6617	8800	936.0
60	80	33.9	2105	2800	450.0	6767	9000	949.0
68	90	36.3	2180	2900	462.0	6917	9200	961.0
75	100	39.1	2256	3000	474.0	7068	9400	975.0
90	120	44.3	2331	3100	484.0	7218	9600	987.0
105	140	49.0	2406	3200	495.0	7368	9800	998.0
120	160	53.3	2481	3300	506.0	7519	10000	1010.0
135	180	57.4	2556	3400	517.0	7895	10500	1040.0
150	200	61.3	2632	3500	528.0	8271	11000	1070.0
169	225	65.8	2707	3600	537.0	8647	11500	1090.0
188	250	70.4	2782	3700	547.0	9023	12000	1110.0
207	275	74.9	2857	3800	557.0	9399	12500	1130.0
226	300	79.5	2932	3900	567.0	9774	13000	1160.0
244	325	84.1	3008	4000	577.0	10150	13500	1180.0
263	350	88.8	3083	4100	586.0	10526	14000	1210.0
282	375	93.4	3158	4200	595.0	10902	14500	1230.0
301	400	97.9	3233	4300	604.0	11278	15000	1260.0
320	425	103.0	3308	4400	613.0	11654	15500	1270.0
338	450	107.0	3383	4500	622.0	12030	16000	1300.0
357	475	112.0	3459	4600	631.0	12406	16500	1330.0
376	500	116.0	3534	4700	638.0	12782	17000	1360.0
414	550	125.0	3609	4800	645.0	13158	17500	1390.0
451	600	132.0	3684	4900	653.0	13534	18000	1410.0
489	650	140.0	3759	5000	661.0	13910	18500	1440.0
526	700	149.0	3835	5100	669.0	14286	19000	1470.0
564	750	158.0	3910	5200	677.0	14662	19500	1490.0
602	800	166.0	3985	5300	685.0	15038	20000	1520.0
639	850	175.0	4060	5400	691.0	15789	21000	1570.0
677	900	182.0	4135	5500	699.0	16541	22000	1620.0
714	950	191.0	4211	5600	706.0	17293	23000	1670.0
752	1000	199.0	4286	5700	713.0	18045	24000	1720.0
789	1050	208.0	4361	5800	721.0	18797	25000	1770.0
827	1100	216.0	4436	5900	728.0	19549	26000	1800.0
865	1150	224.0	4511	6000	735.0	20301	27000	1850.0
902	1200	231.0	4586	6100	740.0	21053	28000	1900.0
940	1250	239.0	4662	6200	747.0	21805	29000	1940.0
977	1300	247.0	4737	6300	754.0	22556	30000	1990.0
1015	1350	255.0	4812	6400	760.0	23308	31000	2030.0
1053	1400	262.0	4887	6500	767.0	24060	32000	2070.0
1090	1450	270.0	4962	6600	773.0	25564	34000	2160.0
1128	1500	278.0	5038	6700	779.0	27068	36000	2250.0
1203	1600	292.0	5113	6800	786.0	28571	38000	2330.0
1278	1700	307.0	5188	6900	794.0	30075	40000	2410.0
1353	1800	321.0	5263	7000	804.0	31579	42000	2490.0
1429	1900	335.0	5414	7200	818.0	33083	44000	2570.0
1504	2000	349.0	5564	7400	832.0	34586	46000	2650.0
1579	2100	362.0	5714	7600	845.0	36090	48000	2730.0

Weight unit is Kilograms. All measurements in mm. Measurements, weights, and drawings, are based on industry standards. Deviation margins need to be taken in mind, this is your own responsibility and not from Castle Hills AS.

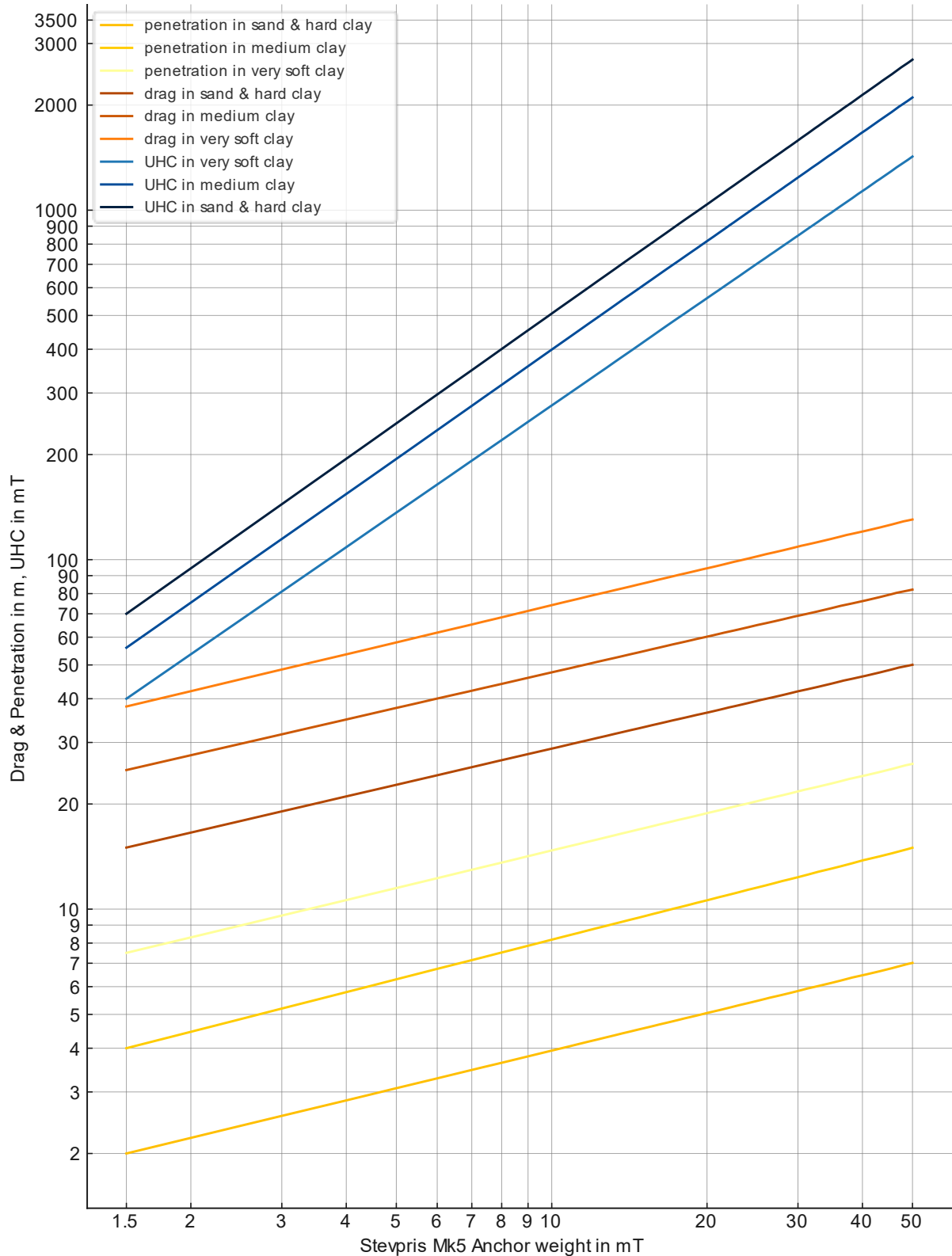


Stevpris Mk6 – Holding Capacity



Weight unit is Kilograms. All measurements in mm. Measurements, weights, and drawings, are based on industry standards. Deviation margins need to be taken in mind, this is your own responsibility and not from Castle Hills AS.

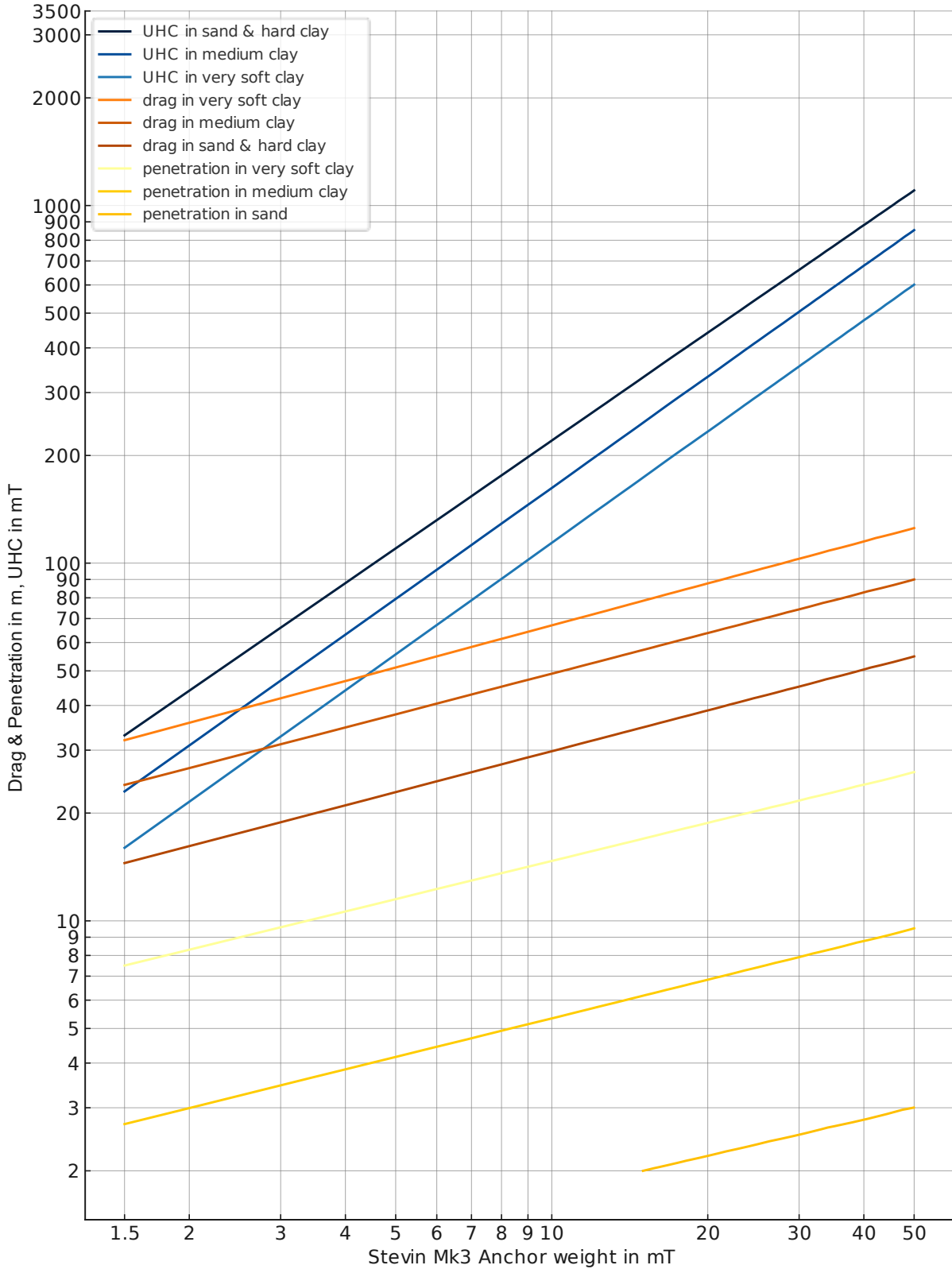
Holding Capacity – Stevpris Mk5



Weight unit is Kilograms. All measurements in mm. Measurements, weights, and drawings, are based on industry standards. Deviation margins need to be taken in mind, this is your own responsibility and not from Castle Hills AS.

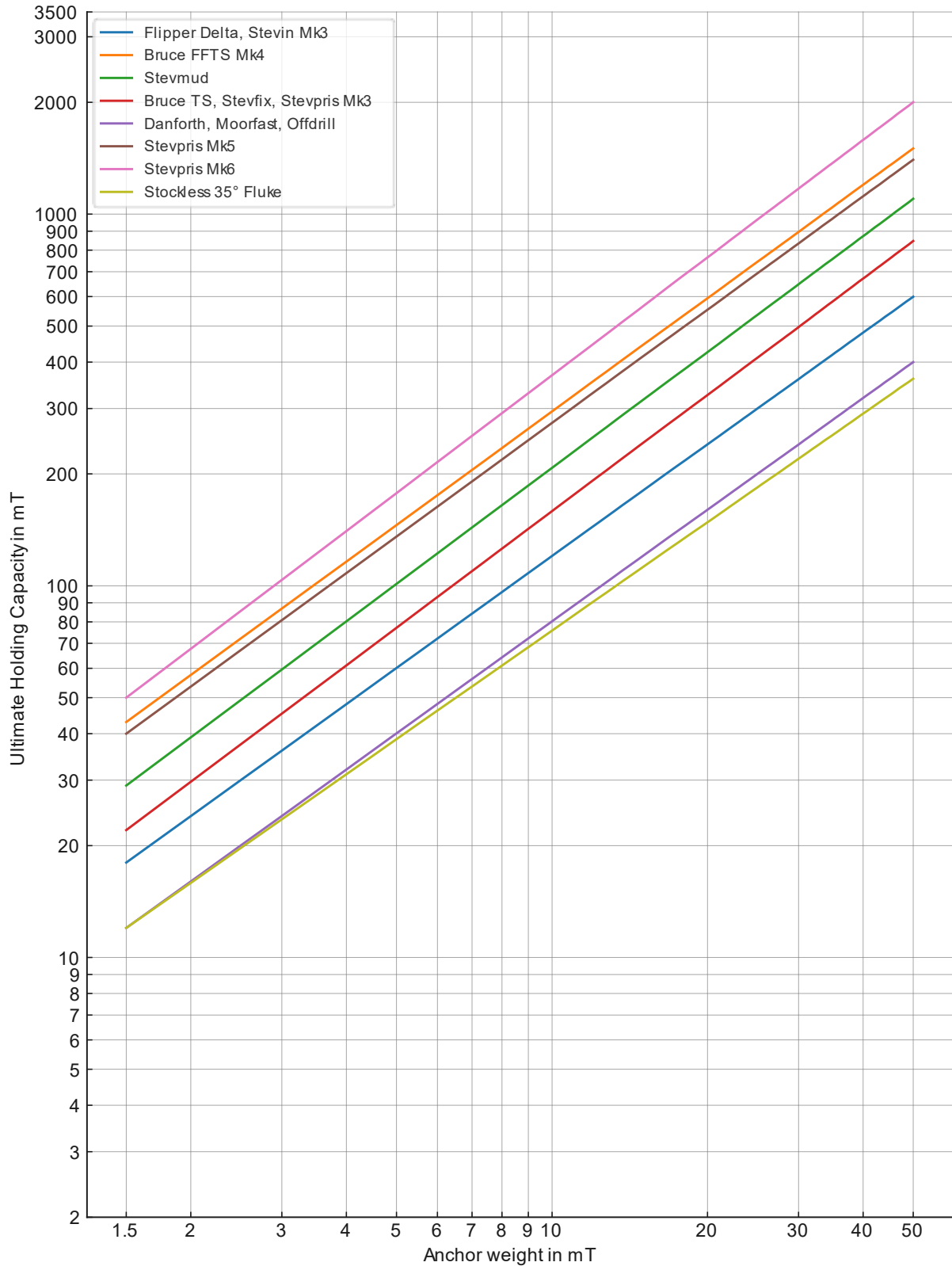


Stevin Mk3 – Holding Capacity



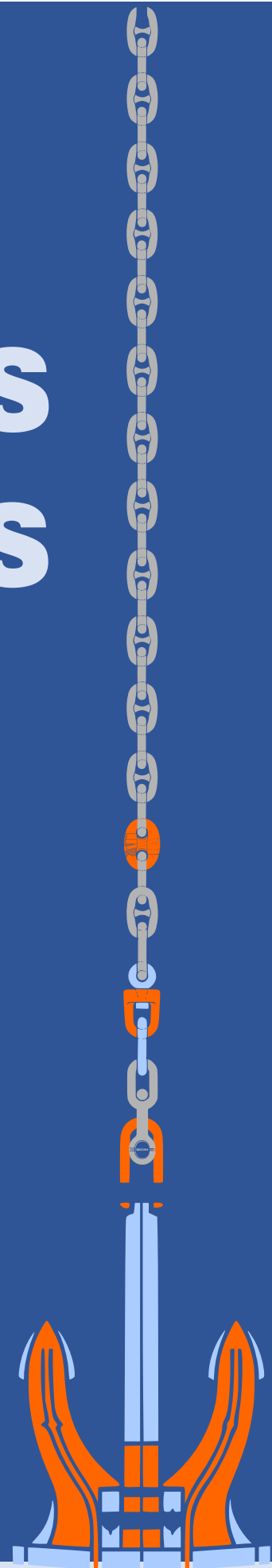
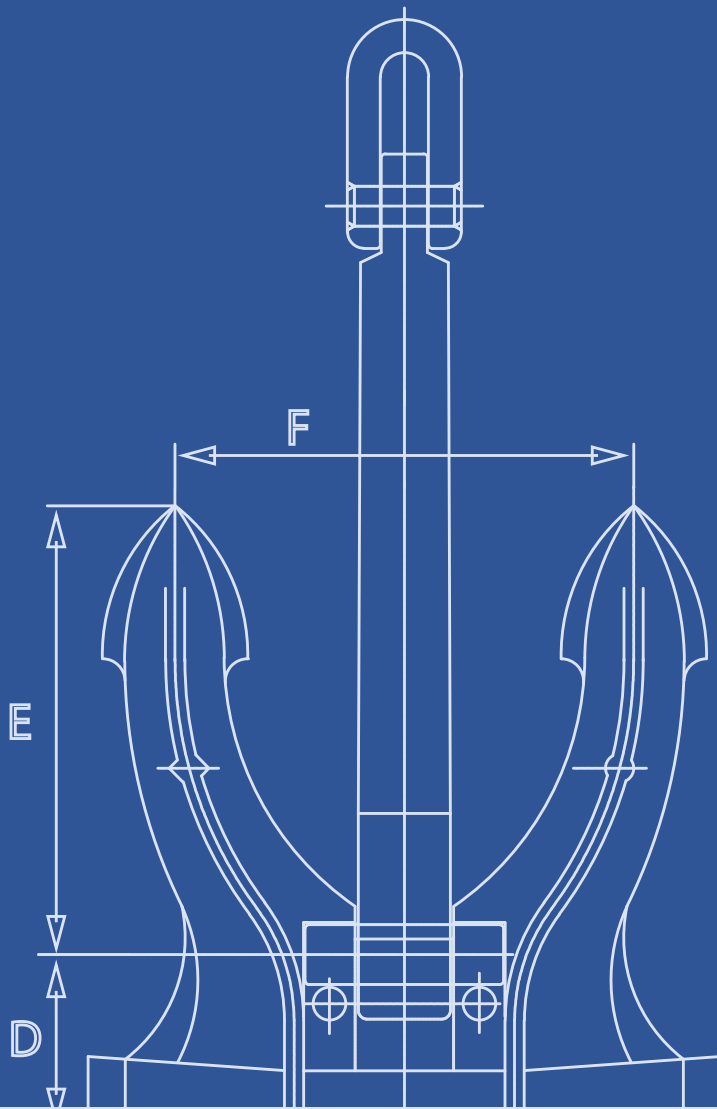
Weight unit is Kilograms. All measurements in mm. Measurements, weights, and drawings, are based on industry standards. Deviation margins need to be taken in mind, this is your own responsibility and not from Castle Hills AS.

UHC in Sand – Comparison



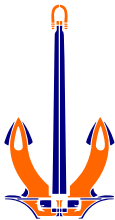
Weight unit is Kilograms. All measurements in mm. Measurements, weights, and drawings, are based on industry standards. Deviation margins need to be taken in mind, this is your own responsibility and not from Castle Hills AS.

STOCKLESS ANCHORS



Stockless Anchors

Hall



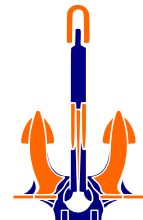
Spek



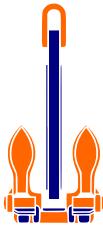
Spek M



Union



Byers



Baldt



Gruson

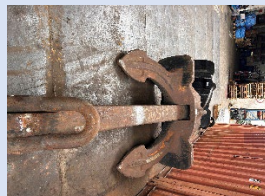


US Navy



Buy or Rent

Stockless Anchors in Stock in Norway, Netherlands, the Philippines, and other EU and APAC locations.



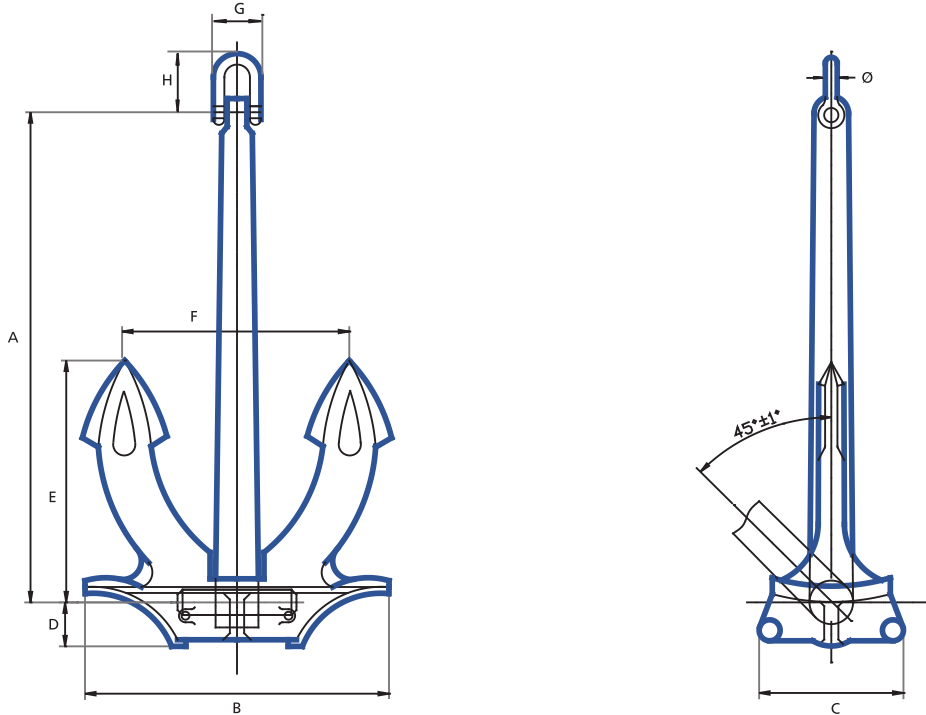
Second Hand

Second Hand / Used Stockless Anchors available at a generous sale price.

Weight unit is Kilograms. All measurements in mm. Measurements, weights, and drawings, are based on industry standards. Deviation margins need to be taken in mind, this is your own responsibility and not from Castle Hills AS.



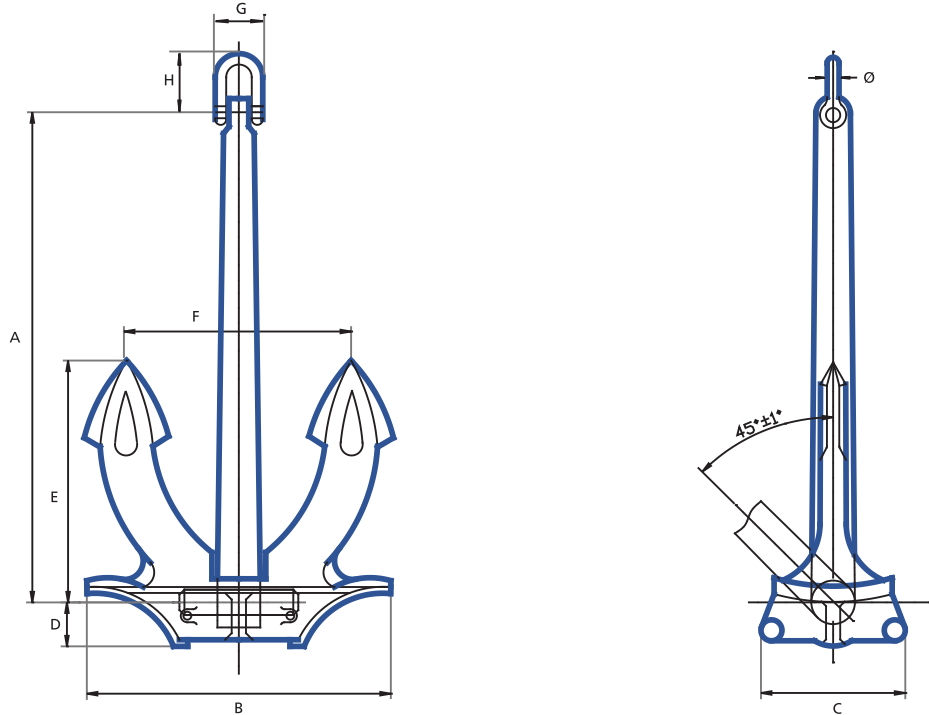
Hall – Stockless Anchors



Weight	A	B	C	D	E	F
10	385	270	125	42	191	191
16	410	316	146	49	223	223
25	476	367	169	57	259	259
35	533	411	189	64	290	290
50	599	464	214	71	325	325
65	658	505	233	78	355	355
75	690	530	244	82	374	374
100	760	582	270	90	410	410
125	814	629	290	97	443	443
150	866	670	308	103	470	470
180	952	735	339	114	518	518
240	1019	784	361	121	552	552
300	1095	844	388	130	595	595
360	1160	898	412	138	630	630
420	1255	967	444	149	675	675
480	1300	1000	460	154	700	700
570	1380	1060	490	164	745	745
660	1422	1096	506	169	769	769
780	1506	1160	535	178	813	813
900	1580	1220	560	188	855	855
1020	1645	1268	584	195	891	891
1140	1705	1319	605	203	926	926

Weight unit is Kilograms. All measurements in mm. Measurements, weights, and drawings, are based on industry standards. Deviation margins need to be taken in mind, this is your own responsibility and not from Castle Hills AS.

Stockless Anchors – Hall

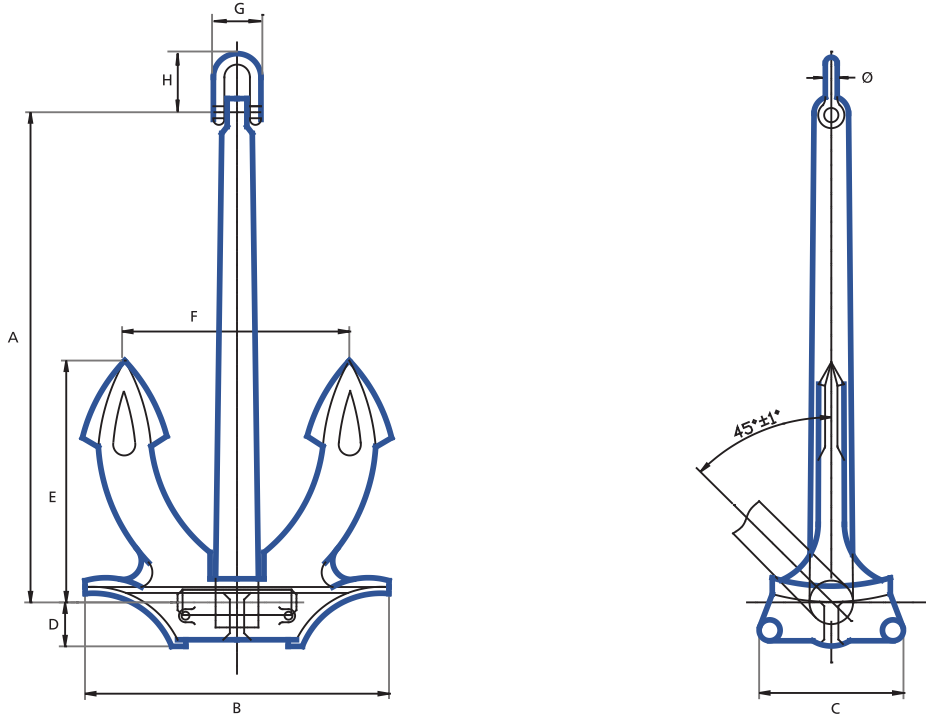


Weight	A	B	C	D	E	F
1290	1778	1374	630	211	965	965
1440	1844	1430	655	219	1001	1001
1590	1906	1475	677	226	1035	1035
1740	1966	1517	698	234	1068	1068
1920	2031	1568	722	241	1104	1104
2100	2093	1614	743	249	1136	1136
2280	2150	1657	763	255	1165	1165
2460	2207	1700	784	262	1194	1194
2640	2259	1730	796	265	1222	1222
2850	2318	1787	822	275	1253	1253
3060	2374	1832	841	282	1283	1283
3300	2432	1880	862	288	1317	1317
3540	2490	1926	883	295	1349	1349
3780	2457	1965	902	302	1376	1376
4050	2610	2008	924	309	1406	1406
4320	2661	2051	943	316	1435	1435
4590	2712	2093	962	322	1465	1465
4890	2769	2135	984	329	1498	1498
5250	2836	2185	1008	337	1535	1535
5610	2899	2234	1031	345	1569	1569
6000	2965	2284	1054	352	1605	1605
6450	3037	2340	1080	361	1644	1644

Weight unit is Kilograms. All measurements in mm. Measurements, weights, and drawings, are based on industry standards. Deviation margins need to be taken in mind, this is your own responsibility and not from Castle Hills AS.



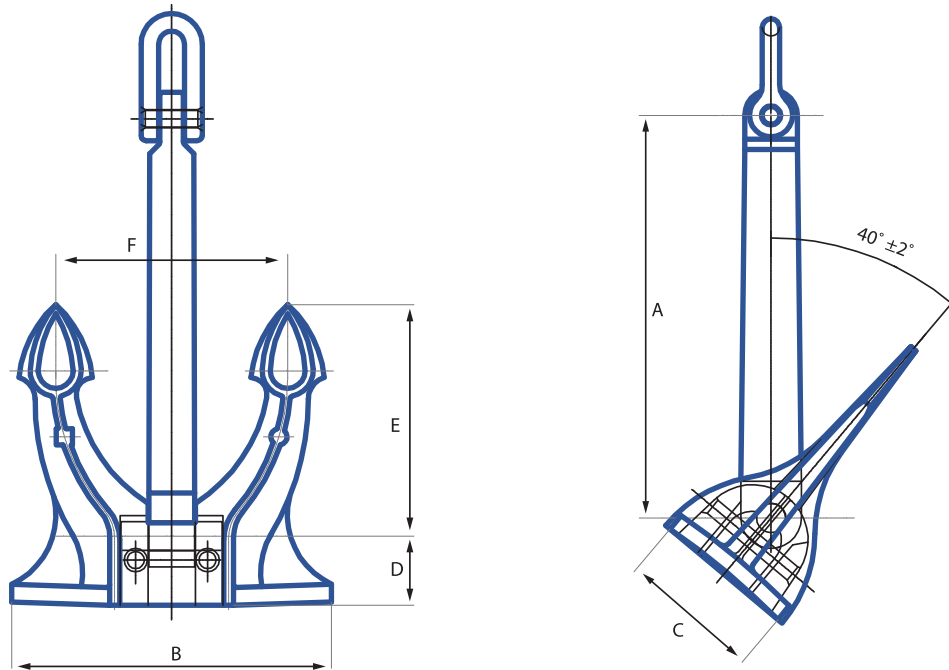
Hall – Stockless Anchors



Weight	A	B	C	D	E	F
6900	3100	2393	1105	369	1681	1681
7350	3173	2444	1129	377	1717	1717
7800	3235	2493	1152	385	1752	1752
8300	3303	2545	1176	393	1788	1788
8700	335	2585	1195	399	1816	1816
9300	3430	2643	122	408	1857	1857
9900	3502	2699	1248	417	1896	1896
10500	3571	2752	1273	425	1934	1934
11100	3638	2803	1297	433	1970	1970
11700	3702	2853	1320	441	2005	2005
12300	3764	2901	1342	448	2039	2039
12900	3824	2947	1363	455	2072	2072
13500	3882	2992	1384	462	2104	2104
14100	3939	3036	1404	469	2135	2135
14700	3994	3078	1424	476	2165	2165
15400	4056	3126	1446	483	2199	2199
16100	4117	3173	1468	490	2232	2232

Weight unit is Kilograms. All measurements in mm. Measurements, weights, and drawings, are based on industry standards. Deviation margins need to be taken in mind, this is your own responsibility and not from Castle Hills AS.

Stockless Anchors – Spek

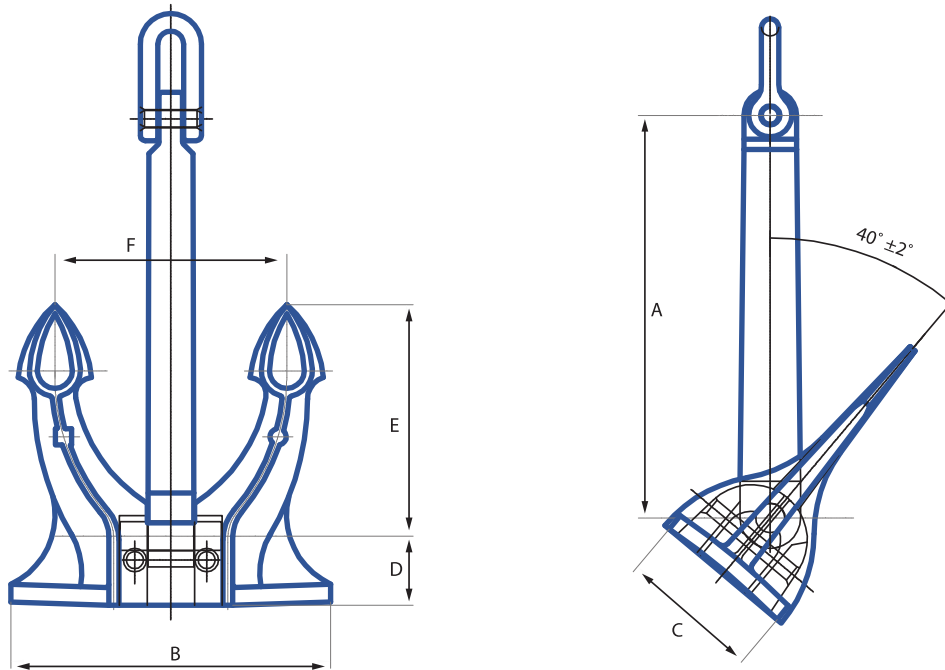


Weight	A	B	C	D	E	F
50	537	411	185	89	298	298
75	638	489	213	106	355	355
100	703	539	234	117	390	390
140	786	603	262	131	437	437
180	855	655	285	142	475	475
240	900	690	300	150	500	500
300	990	760	330	166	550	550
360	1080	828	360	180	600	600
420	1080	828	360	180	600	600
480	1170	900	390	196	650	650
570	1170	900	390	196	650	650
660	1260	962	420	210	700	700
780	1350	1032	450	225	750	750
900	1440	1100	480	240	800	800
1020	1530	1170	510	252	850	850
1140	1620	1240	540	268	900	900
1290	1710	1240	540	268	900	900
1440	1710	1300	570	279	950	950
1590	1710	1300	570	279	950	950
1740	1800	1378	600	300	1000	1000
1920	1890	1454	630	312	1050	1050
2100	1890	1454	630	312	1050	1050

Weight unit is Kilograms. All measurements in mm. Measurements, weights, and drawings, are based on industry standards. Deviation margins need to be taken in mind, this is your own responsibility and not from Castle Hills AS.



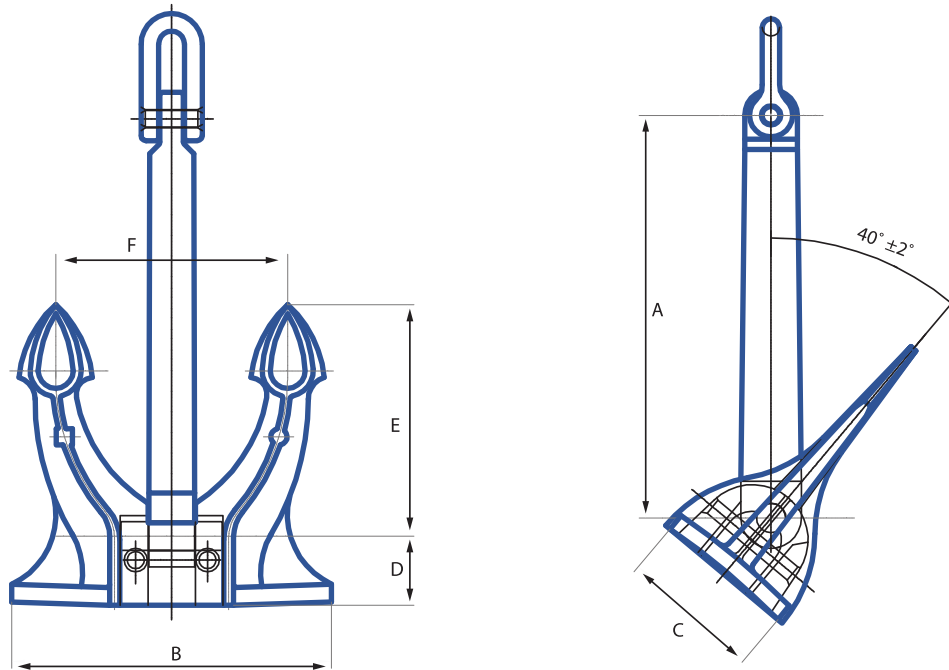
Spek – Stockless Anchors



Weight	A	B	C	D	E	F
2280	1980	1454	630	312	1050	1050
2460	2010	1514	660	324	1100	1100
2640	2070	1584	690	352	1150	1150
2850	2070	1584	690	352	1150	1150
3060	2160	1650	720	360	1200	1200
3300	2160	1650	720	360	1200	1200
3540	2350	1650	720	360	1200	1200
3780	2430	1850	810	393	1350	1350
4050	2430	1850	810	393	1350	1350
4320	2520	1926	852	413	1400	1400
4590	2520	1926	852	413	1400	1400
4890	2520	1926	852	413	1400	1400
5250	2610	2000	870	414	1450	1450
5610	2610	2000	870	414	1450	1450
6000	2700	2060	900	446	1500	1500
6450	2700	2060	900	446	1500	1500
6900	2890	2138	930	456	1550	1550
7350	2890	2138	930	456	1550	1550
7800	2920	2138	930	456	1550	1550
8300	3060	2332	1020	510	1700	1700
8700	3060	2332	1020	510	1700	1700
9300	3060	2332	1020	510	1700	1700

Weight unit is Kilograms. All measurements in mm. Measurements, weights, and drawings, are based on industry standards. Deviation margins need to be taken in mind, this is your own responsibility and not from Castle Hills AS.

Stockless Anchors – Spek

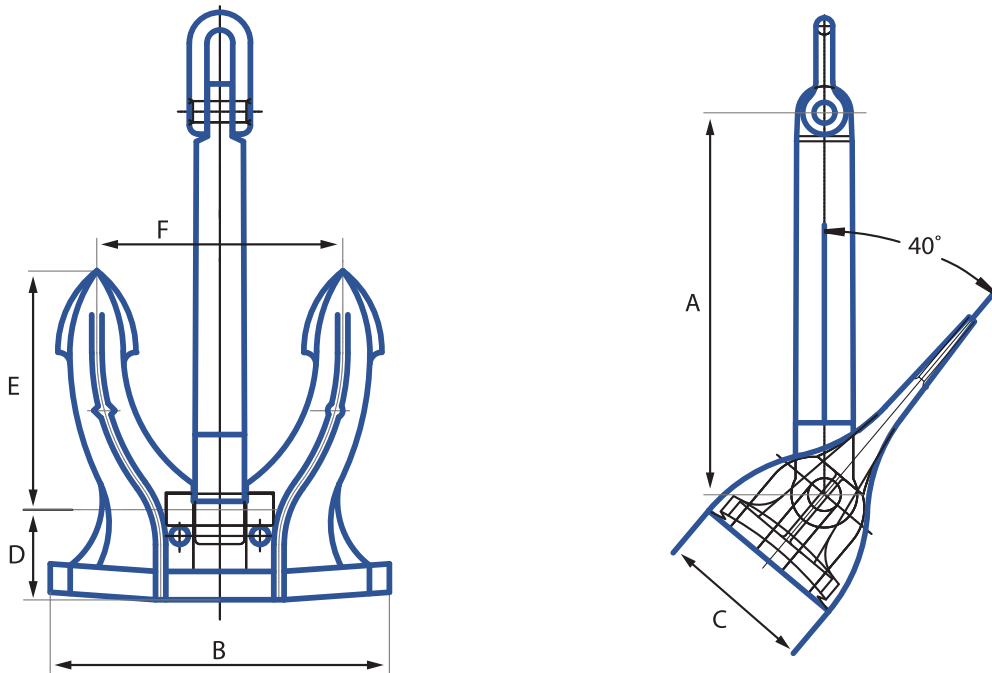


Weight	A	B	C	D	E	F
9900	3160	2332	1020	510	1700	1700
10500	3190	2440	1060	531	1770	1770
11100	3290	2440	1060	531	1770	1770
11700	3390	2440	1060	531	1770	1770
12300	3440	2632	1146	573	1910	1910
12900	3440	2632	1146	573	1910	1910
13500	3440	2632	1146	573	1910	1910
14100	3440	2632	1146	573	1910	1910
14700	3690	2824	1230	615	2050	2050
15400	3690	2824	1230	615	2050	2050
16100	3690	2824	1230	615	2050	2050
16900	3820	2922	1270	636	2120	2120
17800	3920	2922	1270	636	2120	2120
18800	3970	3018	1314	657	2190	2190
20000	4070	3018	1314	657	2190	2190
21500	4168	3090	1346	673	2243	2243
23000	4265	3163	1377	689	2295	2295
24500	4355	3229	1406	703	2343	2343
26000	4440	3293	1434	717	2389	2389
27500	4526	3356	1461	731	2435	2435
29000	4621	3438	1494	748	2494	2494

Weight unit is Kilograms. All measurements in mm. Measurements, weights, and drawings, are based on industry standards. Deviation margins need to be taken in mind, this is your own responsibility and not from Castle Hills AS.



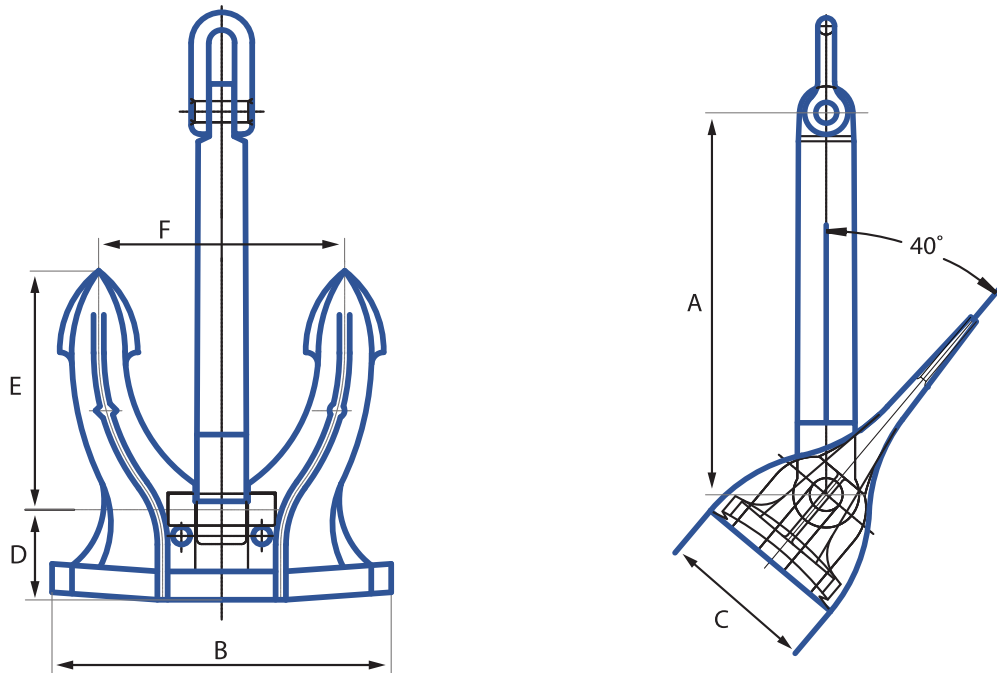
Spek M – Stockless Anchors



Weight	A	B	C	D	E	F
80	611	468	222	108	336	339
105	669	512	242	120	368	371
135	669	512	254	149	368	371
180	800	613	290	142	440	455
240	800	613	304	182	440	455
300	949	727	344	168	522	527
360	949	727	358	190	522	527
420	1062	813	385	188	584	590
480	1062	813	395	211	584	590
570	1175	900	428	208	647	653
660	1175	900	438	236	647	653
780	1305	1000	473	231	718	725
900	1305	1000	485	264	718	725
1020	1428	1093	518	252	785	793
1140	1428	1093	530	277	785	793
1290	1544	1182	561	273	850	858
1440	1544	1182	573	299	850	858
1590	1655	1268	601	293	911	920
1740	1655	1268	611	315	911	920
1920	1761	1350	640	312	970	980
2100	1761	1350	650	337	970	980
2280	1866	1430	678	331	1027	1038

Weight unit is Kilograms. All measurements in mm. Measurements, weights, and drawings, are based on industry standards. Deviation margins need to be taken in mind, this is your own responsibility and not from Castle Hills AS.

Stockless Anchors – Spek M

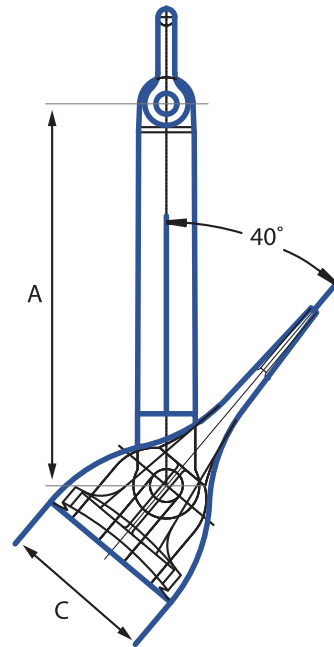
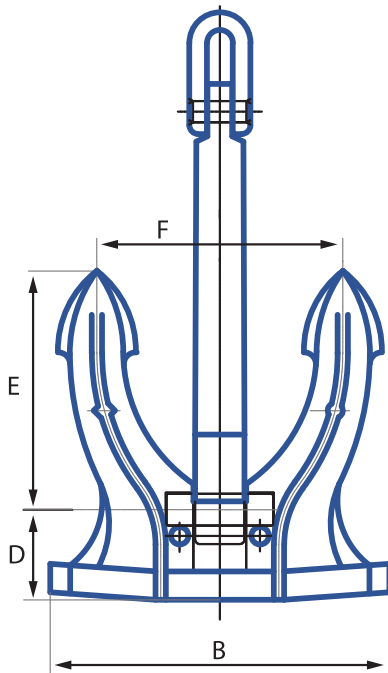


Weight	A	B	C	D	E	F
2460	1866	1430	688	355	1027	1038
2640	1959	1500	712	347	1079	1090
2850	1959	1500	722	370	1079	1090
3060	2058	1578	748	365	1133	1144
3300	2058	1578	760	387	1133	1144
3540	2159	1656	785	383	1189	1202
3780	2159	1656	797	405	1189	1202
4050	2258	1732	821	400	1244	1257
4320	2258	1732	831	422	1244	1257
4590	2258	1732	841	444	1244	1257
4890	2405	1846	874	426	1325	1338
5250	2405	1846	888	450	1325	1338
5610	2577	1974	936	431	1418	1432
6000	2577	1974	936	457	1418	1432
6450	2577	1974	950	483	1418	1432
6900	2757	2112	1001	462	1518	1533
7350	2757	2112	1001	488	1518	1533
7800	2757	2112	1015	514	1518	1533
8300	2916	2234	1059	489	1605	1621
8700	2916	2234	1059	517	1605	1621
9300	2916	2234	1074	545	1605	1621
9900	3105	2380	1128	520	1709	1726

Weight unit is Kilograms. All measurements in mm. Measurements, weights, and drawings, are based on industry standards. Deviation margins need to be taken in mind, this is your own responsibility and not from Castle Hills AS.



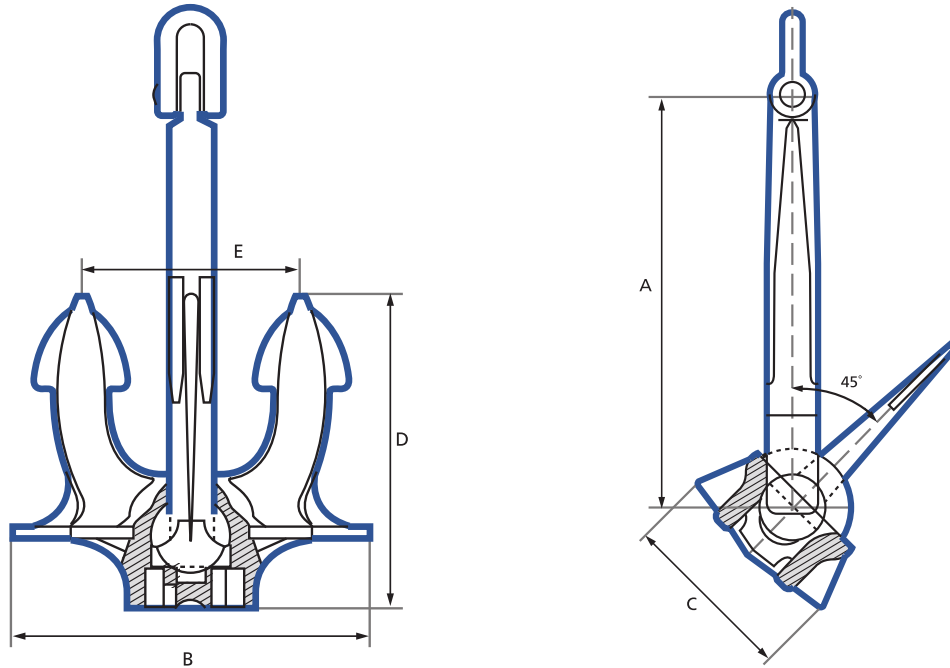
Spek M – Stockless Anchors



Weight	A	B	C	D	E	F
10500	3105	2380	1128	570	1709	1726
11100	3105	2380	1138	580	1709	1726
11700	3273	2507	1188	554	1801	1819
12300	3273	2507	1188	580	1801	1819
12900	3273	2507	1200	607	1801	1819
13500	3425	2624	1243	577	1885	1904
14100	3425	2624	1243	607	1885	1904
14700	3425	2624	1243	650	1885	1904
15400	3425	2624	1263	657	1885	1904
16100	3632	2782	1318	612	1998	2018
16900	3632	2782	1318	638	1998	2018
17800	3632	2782	1318	683	1998	2018
18800	3632	2782	1343	699	1998	2018
20000	3905	2990	1416	652	2148	2170

Weight unit is Kilograms. All measurements in mm. Measurements, weights, and drawings, are based on industry standards. Deviation margins need to be taken in mind, this is your own responsibility and not from Castle Hills AS.

Stockless Anchors – Union

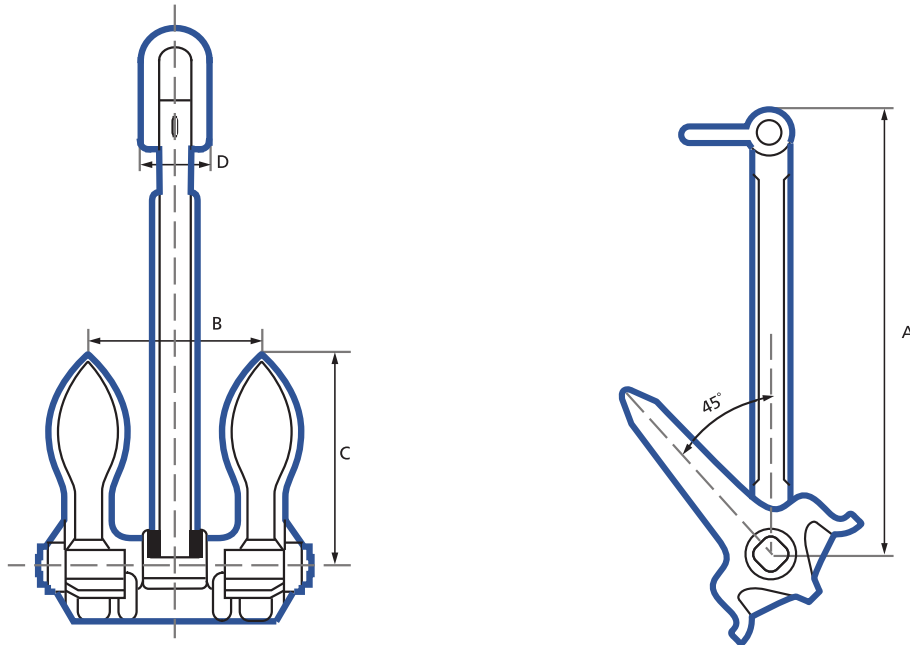


Weight	A	B	C	D	E
200	895	740	366	627	458
300	1026	850	419	721	522
500	1215	1008	497	856	620
800	1425	1180	581	986	728
1000	1530	1266	626	1063	780
1500	1750	1450	717	1222	898
2500	2075	1721	850	1449	1064
3000	2205	1826	902	1532	1128
4000	2430	2012	994	1687	1244
5000	2615	2165	1070	1839	1338
6000	2776	2302	1138	1942	1426
8000	3058	2534	1252	2141	1565
10000	3294	2730	1348	2288	1690
15000	3770	3127	1544	2633	1932
17000	3935	3265	1612	2735	2001
20000	4150	3435	1700	2880	2125
23000	4350	3600	1780	3020	2225

Weight unit is Kilograms. All measurements in mm. Measurements, weights, and drawings, are based on industry standards. Deviation margins need to be taken in mind, this is your own responsibility and not from Castle Hills AS.



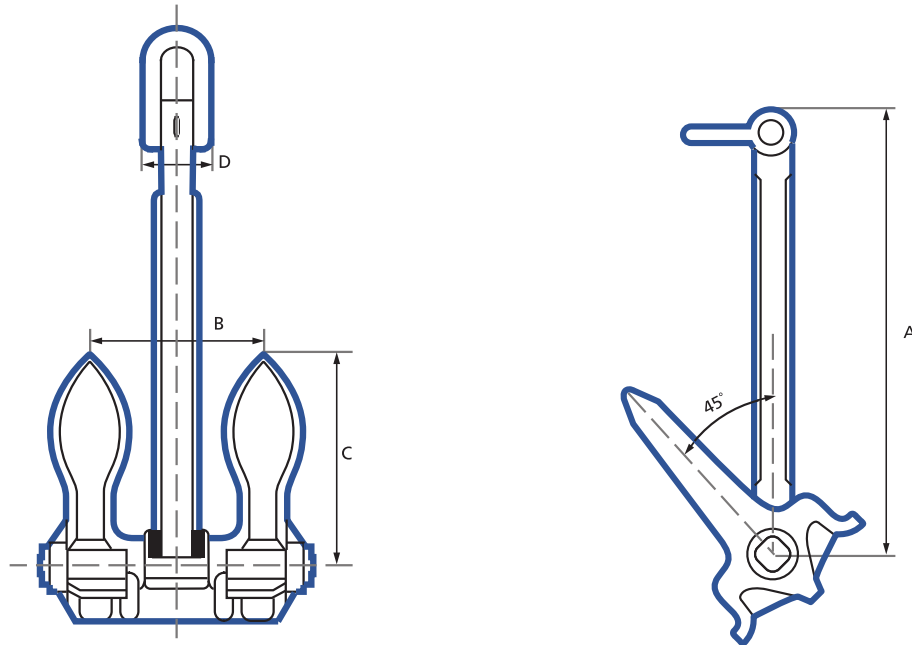
Byers – Stockless Anchors



Weight	A	B	C	D
220	1041	420	495	165
266	1067	432	502	165
318	1092	432	502	178
360	1143	457	600	178
412	1168	533	610	209
457	1219	533	650	209
493	1245	572	660	216
600	1321	572	660	216
700	1422	610	720	228
805	1575	640	740	241
915	1600	650	787	241
1025	1651	711	838	254
1130	1702	711	864	254
1250	1829	750	898	266
1350	1880	750	920	266
1475	1880	787	946	292
1600	1930	787	965	292
1720	1981	838	999	305
1870	1981	838	1022	305
2030	2108	838	1041	318
2200	2184	889	1080	330
2360	2210	914	1110	330

Weight unit is Kilograms. All measurements in mm. Measurements, weights, and drawings, are based on industry standards. Deviation margins need to be taken in mind, this is your own responsibility and not from Castle Hills AS.

Stockless Anchors – Byers

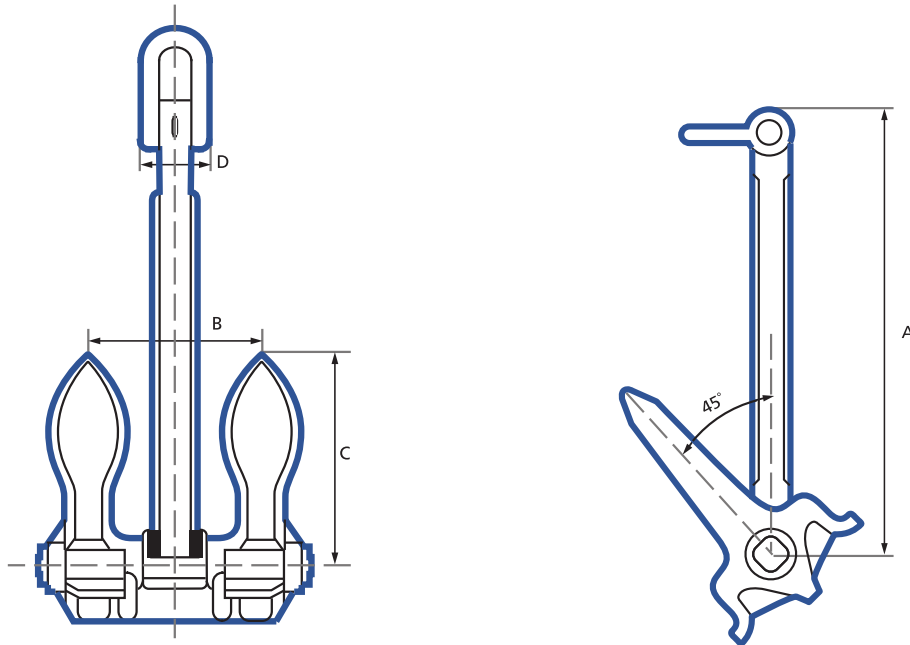


Weight	A	B	C	D
2540	2286	946	1118	330
2700	2362	980	1180	343
2900	2438	990	1180	343
3100	2438	1041	1219	370
3300	2489	1041	1346	369
3500	2510	1067	1372	369
3750	2591	1092	1397	393
4000	2616	1092	1397	393
4150	2667	1092	1397	406
4370	2692	1143	1448	406
4575	2769	1168	1448	406
4780	2870	1168	1448	432
5030	2896	1168	1448	436
5250	3048	1168	1473	438
5450	3073	1168	1473	445
5700	3099	1168	1473	452
5900	3099	1168	1473	457
6100	3124	1295	1549	457
6350	3200	1321	1549	457
6600	3277	1321	1549	470
6800	3353	1321	1549	470
7100	3353	1321	1549	470

Weight unit is Kilograms. All measurements in mm. Measurements, weights, and drawings, are based on industry standards. Deviation margins need to be taken in mind, this is your own responsibility and not from Castle Hills AS.



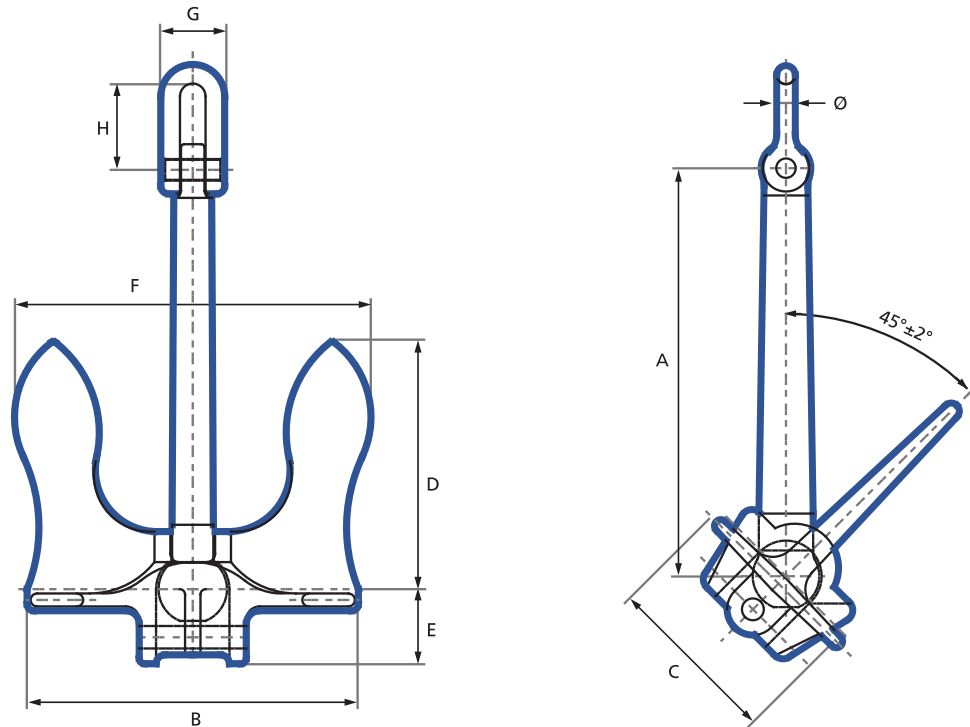
Byers – Stockless Anchors



Weight	A	B	C	D
7350	3353	1346	1702	470
7700	3353	1346	1702	477
8000	3353	1422	1702	477
8300	3404	1422	1753	528
8650	3404	1422	1753	528
8900	3505	1499	1803	559
9200	3658	1499	1803	572
9550	3759	1524	1803	572

Weight unit is Kilograms. All measurements in mm. Measurements, weights, and drawings, are based on industry standards. Deviation margins need to be taken in mind, this is your own responsibility and not from Castle Hills AS.

Stockless Anchors – Baldt

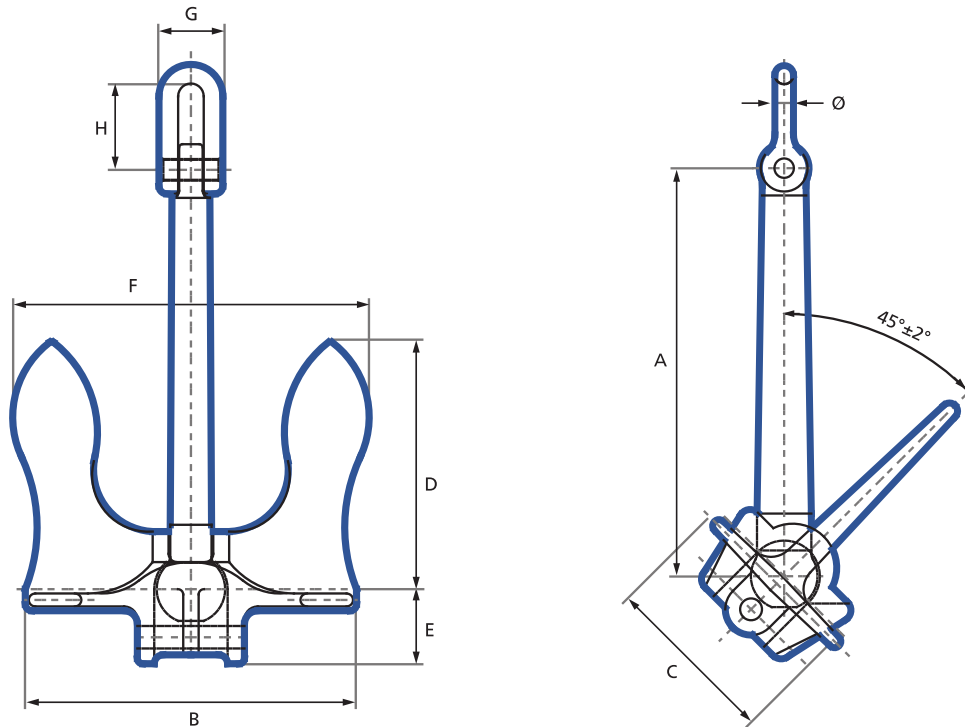


Weight	A	B	C	D	E	F
90	649	512	280	384	115	551
113	687	544	296	407	121	585
140	738	583	319	437	131	627
160	769	609	331	455	135	654
180	816	644	353	483	145	693
230	858	677	371	508	153	729
284	932	738	402	552	164	794
340	971	766	420	575	173	825
454	1078	850	466	638	192	916
550	1183	933	511	700	210	1005
680	1262	995	545	747	224	1082
794	1428	1126	617	845	254	1213
900	1460	1157	631	864	260	1240
1020	1477	1165	638	874	263	1254
1134	1492	1177	645	883	265	1267
1360	1544	1218	667	914	275	1312
1590	1641	1294	709	971	292	1393
1740	1673	1320	723	990	297	1421
1910	1749	1380	755	1035	311	1485
2041	1803	1422	779	1067	321	1531
2270	1857	1465	802	1099	330	1577
2495	1909	1508	825	1130	340	1622

Weight unit is Kilograms. All measurements in mm. Measurements, weights, and drawings, are based on industry standards. Deviation margins need to be taken in mind, this is your own responsibility and not from Castle Hills AS.



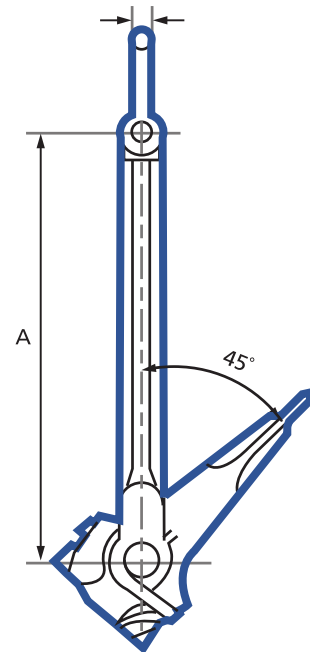
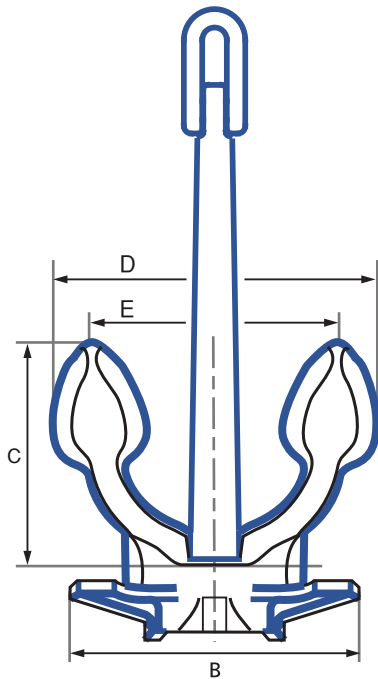
Baldt – Stockless Anchors



Weight	A	B	C	D	E	F
2721	2017	1592	872	1194	359	1713
2948	2044	1613	883	1210	364	2092
3175	2092	1650	904	1238	372	1776
3670	2152	1698	930	1274	383	1828
4536	2254	1778	974	1334	401	1914
5216	2321	1832	1003	1374	413	1972
5670	2423	1912	1046	1434	431	2058
6804	2681	2115	1159	1587	477	2277
7484	2735	2158	1182	1619	486	2323
7800	2743	2242	1226	1667	486	2516
9072	3090	2438	1335	1829	550	2626
9640	3149	2485	1361	1864	560	2675
10206	3208	2531	1386	1899	571	2725
18140	3847	3035	1662	2277	684	3267

Weight unit is Kilograms. All measurements in mm. Measurements, weights, and drawings, are based on industry standards. Deviation margins need to be taken in mind, this is your own responsibility and not from Castle Hills AS.

Stockless Anchors – Gruson

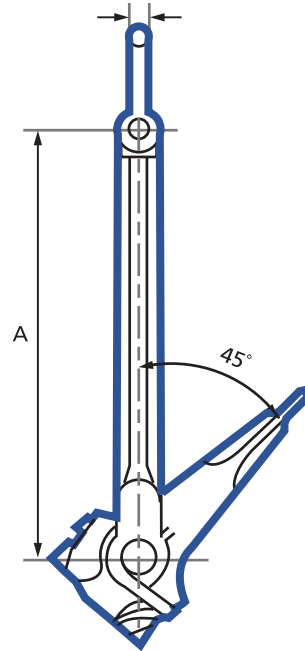
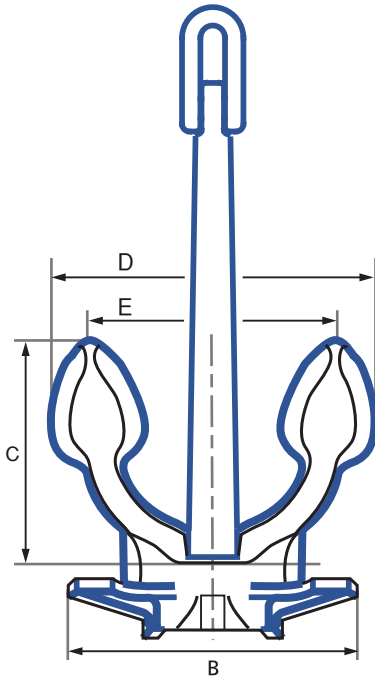


Weight	A	B	C	D	E
80	630	435	350	500	370
105	695	480	385	560	410
135	795	550	440	620	470
180	875	605	485	690	520
240	940	650	525	740	555
300	1000	690	555	780	590
360	1055	730	585	820	640
420	1100	760	610	860	650
480	1185	820	660	940	700
570	1260	870	700	980	745
660	1330	920	740	1040	785
780	1390	960	770	1080	820
900	1450	1000	805	1130	855
1020	1500	1035	830	1160	885
1140	1570	1082	870	1220	924
1290	1620	1120	900	1250	955
1440	1696	1170	942	1322	1000
1590	1755	1210	973	1366	1034
1740	1815	1250	1000	1400	1065
1920	1870	1288	1036	1454	1100
2100	1890	1300	1050	1470	1110
2460	2020	1394	1120	1570	1190

Weight unit is Kilograms. All measurements in mm. Measurements, weights, and drawings, are based on industry standards. Deviation margins need to be taken in mind, this is your own responsibility and not from Castle Hills AS.



Gruson – Stockless Anchors

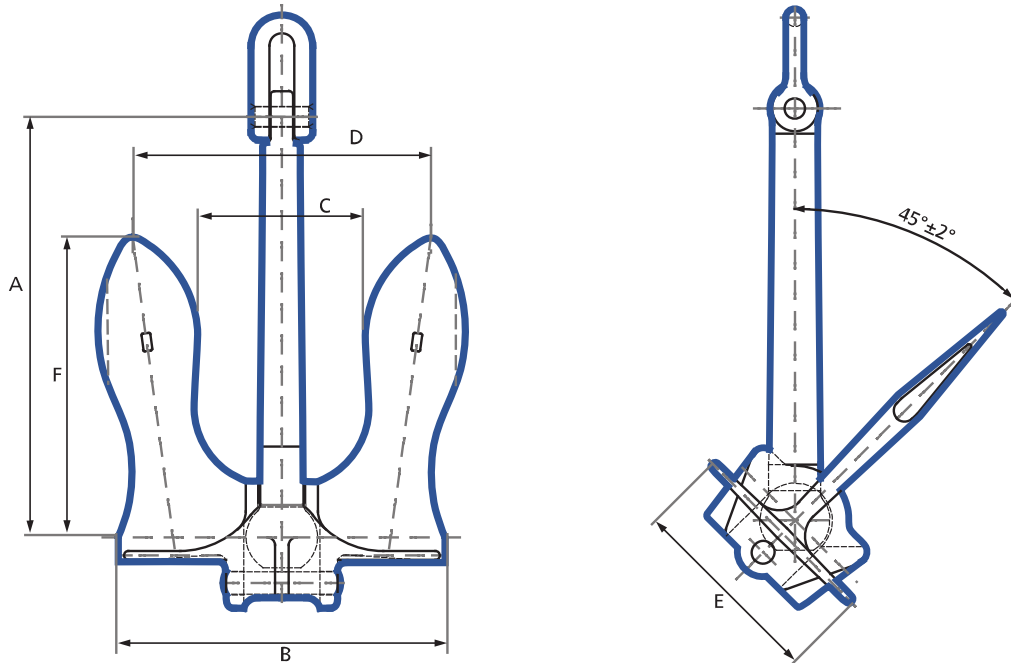


Weight	A	B	C	D	E
2640	2040	1400	1200	1130	1580
2850	2130	1468	1256	1182	1660
3300	2236	1542	1318	1242	1742
3540	2290	1570	1340	1265	1770
3780	2340	1614	1380	1298	1822
4050	2380	1645	1400	1320	1850
4320	2446	1688	1442	1358	1906
4590	2475	1710	1460	1380	1920
4890	2540	1758	1504	1416	1988
5250	2560	1780	1510	1420	1990
5610	2680	1840	1574	1482	2080
6000	2730	1885	1610	1515	2110
6450	2794	1926	1646	1550	2177
6900	2860	1978	1696	1600	2230
7350	2920	2014	1722	1621	2276
7800	3000	2054	1770	1660	2340
8300	3040	2090	1792	1688	2360
8700	3090	2130	1820	1712	2400
9300	3150	2176	1860	1750	2450
9900	3220	2220	1898	1787	2510
10500	3290	2268	1940	1826	2562
11100	3360	2312	1976	1862	2612

Weight unit is Kilograms. All measurements in mm. Measurements, weights, and drawings, are based on industry standards. Deviation margins need to be taken in mind, this is your own responsibility and not from Castle Hills AS.



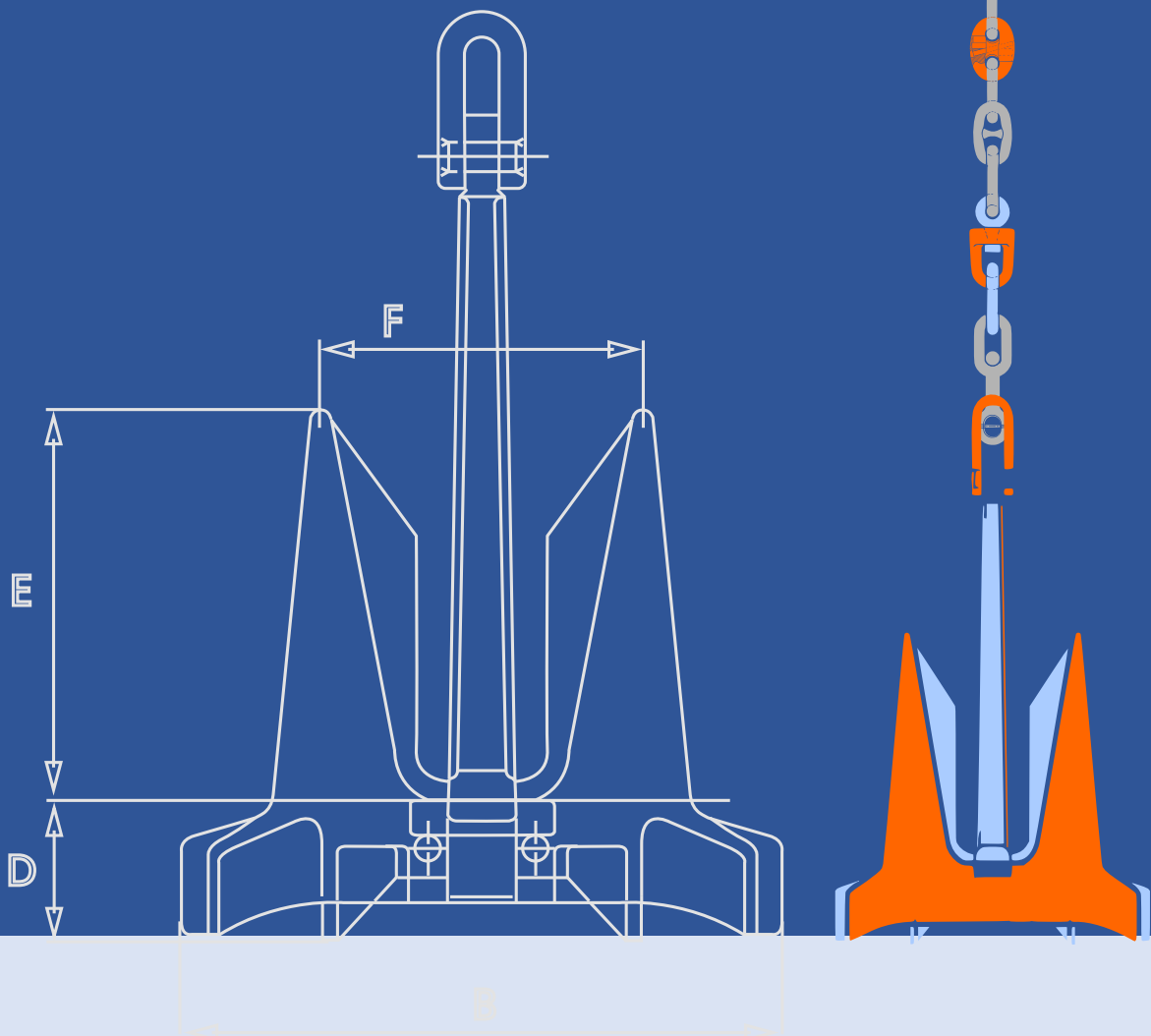
Stockless Anchors – US Navy Stockless



Weight	A	B	C	D	E	F
300	727	635	319	562	348	510
1000	1071	948	477	839	520	773
2000	1371	1195	601	1058	655	975
3000	1564	1398	704	1270	775	1050
4000	1724	1506	758	1333	826	1228
5000	1884	1622	816	1436	889	1323
6000	1974	1724	867	1528	947	1403
7000	2082	1815	913	1606	996	1480
8000	2171	1897	955	1679	1040	1547
9000	2257	1973	993	1747	1082	1609
10000	2336	2044	1028	1809	1120	1667
11000	2413	2110	1062	1868	1158	1721
12000	2486	2172	1093	1924	1193	1771
13000	2540	2231	1122	1965	1194	1819
14500	2641	2313	1144	2047	1270	1887
15000	2679	2340	1177	2089	1295	1930
16000	2735	2390	1203	2116	1311	1958
18000	2844	2486	1251	2200	1365	2088
20000	2946	2575	1296	2280	1412	2100
25000	3174	2774	1396	2456	1521	2262
30000	3371	2949	1483	2628	1631	2404

Weight unit is Kilograms. All measurements in mm. Measurements, weights, and drawings, are based on industry standards. Deviation margins need to be taken in mind, this is your own responsibility and not from Castle Hills AS.

HHP ANCHORS

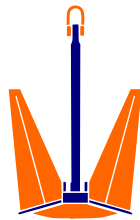


High Holding Power Anchors

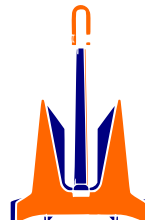
TW



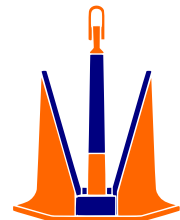
N



AC-14



D'Hone

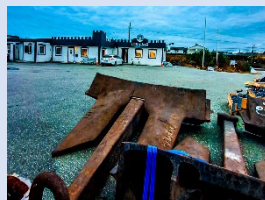
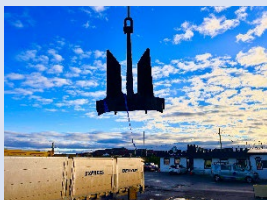
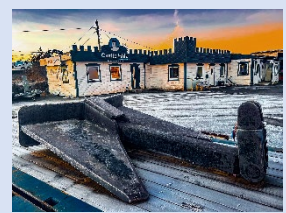


High Holding Power anchors are used in large and medium sized ships that prioritize efficiency. It's characteristic shape allows this type of anchors to grant at least twice as much holding power as a stockless anchor. In comparison they would have the same weight. In Stock in Norway, EU locations, and in Asia Pacific. For convenient proximity to our main markets in Denmark, Netherlands, and Germany.

Most Popular HHP Anchors:

HHP TW

We have original POOL TW anchors in Stock in Norway, and other anchors with a similar design.



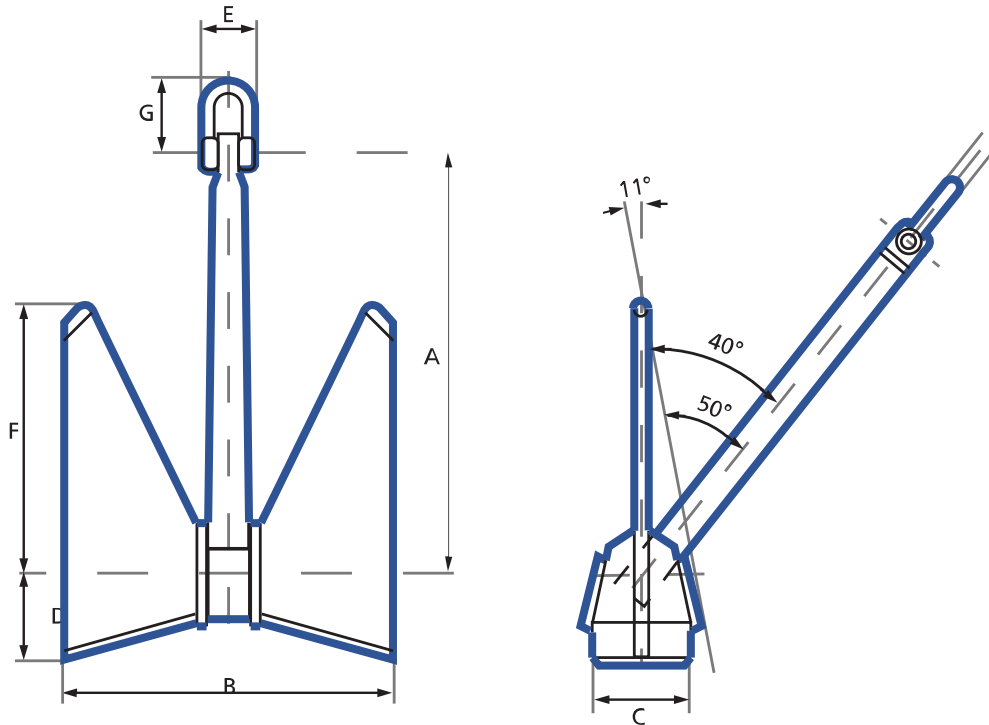
AC-14

Along with the TW Type, the AC-14 anchor is one of our most popular anchors.

Weight unit is Kilograms. All measurements in mm. Measurements, weights, and drawings, are based on industry standards. Deviation margins need to be taken in mind, this is your own responsibility and not from Castle Hills AS.



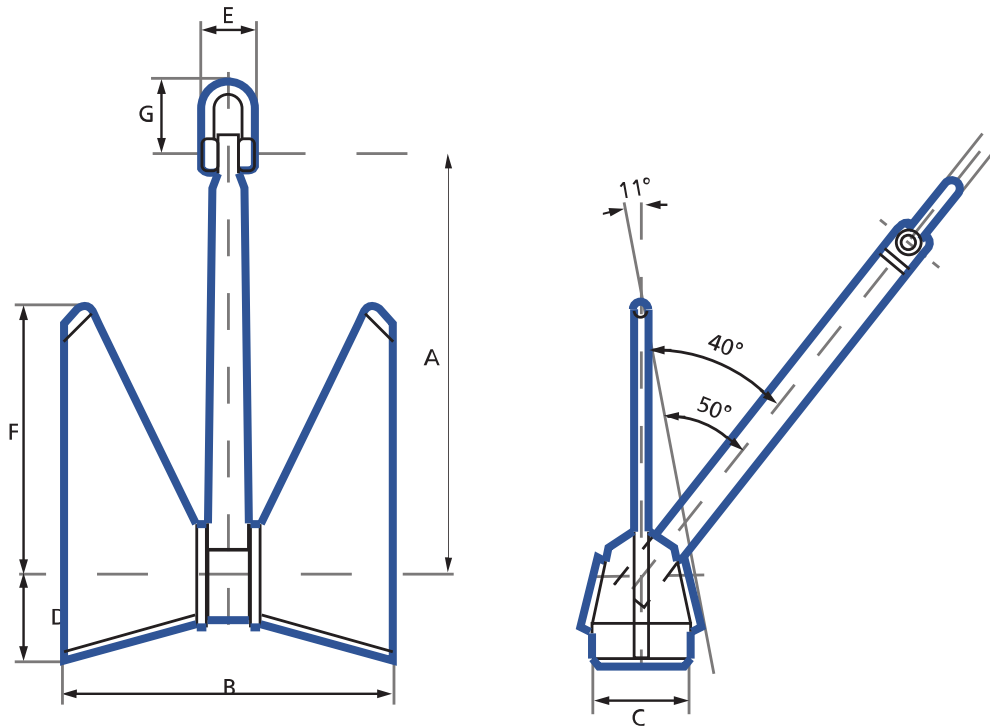
TW HHP – High Holding Power



Weight	A	B	C	D	E	F	G
60	650	539	203	90	140	650	120
75	700	581	215	90	151	700	120
90	712	594	224	90	160	712	120
105	771	637	239	105	169	771	142
135	815	674	255	105	178	815	142
160	895	747	286	115	194	895	157
180	937	780	297	115	201	937	157
225	982	821	312	125	224	982	174
270	1080	895	335	125	230	1080	174
315	1080	898	336	125	235	1080	174
360	1175	980	370	140	258	1175	201
430	1260	1040	393	140	274	1260	201
495	1295	1078	402	140	283	1295	201
585	1388	1149	436	175	302	1388	236
675	1456	1205	454	175	315	1456	236
765	1518	1256	470	175	328	1518	236
855	1575	1306	496	225	340	1575	306
970	1642	1360	513	225	351	1642	306
1080	1703	1410	530	225	368	1703	306
1195	1730	1435	537	225	377	1730	306
1305	1814	1490	558	225	390	1490	306
1440	1875	1554	585	225	402	1554	306

Weight unit is Kilograms. All measurements in mm. Measurements, weights, and drawings, are based on industry standards. Deviation margins need to be taken in mind, this is your own responsibility and not from Castle Hills AS.

High Holding Power – TW HHP

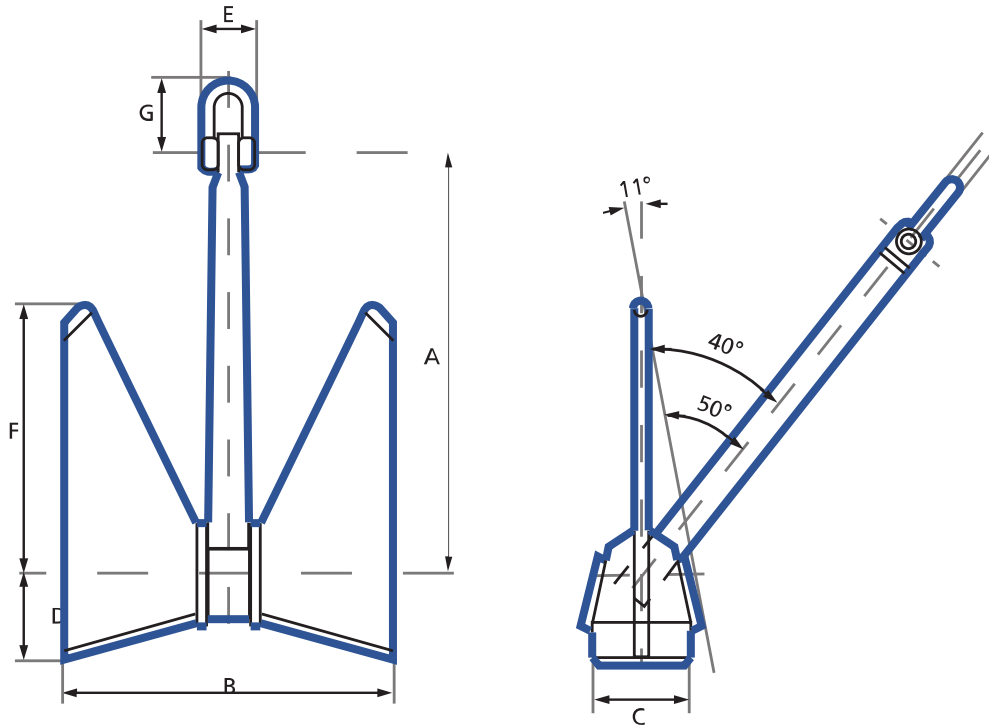


Weight	A	B	C	D	E	F	G
1575	1931	1594	600	255	418	1594	361
1710	1985	1635	614	255	429	1635	361
1845	2035	1684	638	255	443	1684	361
1980	2088	1733	652	255	451	1733	361
2140	2138	1765	664	255	463	1765	361
2295	2190	1802	678	255	473	1802	361
2475	2240	1860	705	290	487	1860	400
2655	2998	1900	716	290	497	1900	400
2835	2350	1945	730	290	510	1945	400
3040	2404	1984	744	290	520	1984	400
3240	2456	2036	768	290	531	2036	400
3445	2507	2070	782	290	540	2070	400
3670	2560	2110	795	360	556	2110	500
3940	2621	2152	802	360	563	2152	500
4210	2680	2218	838	360	585	2218	500
4500	2740	2264	854	360	596	2264	500
4840	2800	2316	868	400	610	2316	550
5175	2829	2334	876	400	615	2334	550
5515	2921	2412	911	400	631	2412	550
5850	2948	2439	918	400	642	2439	550
6225	3033	2509	940	400	659	2509	550
6975	3145	2623	990	400	675	2623	550

Weight unit is Kilograms. All measurements in mm. Measurements, weights, and drawings, are based on industry standards. Deviation margins need to be taken in mind, this is your own responsibility and not from Castle Hills AS.



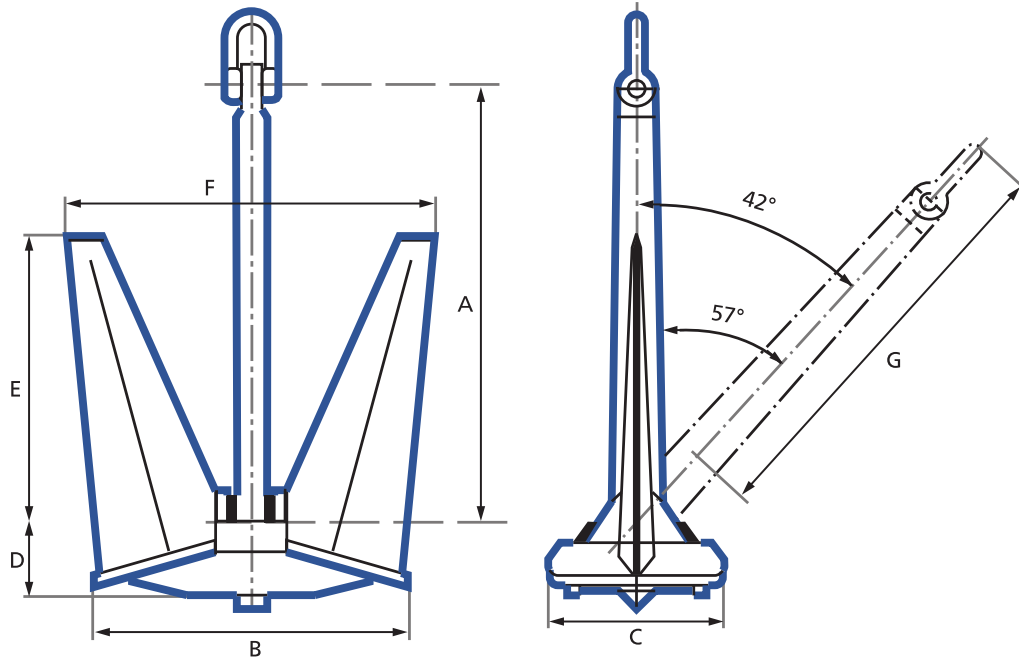
TW HHP – High Holding Power



Weight	A	B	C	D	E	F	G
7875	3264	2695	1012	470	709	2695	660
8325	3340	2757	1041	470	724	2757	660
8775	3381	2797	1052	470	737	2797	660
9225	3453	2865	1092	470	756	2865	660
9675	3497	2905	1109	500	768	2905	700
10125	3552	2941	1126	500	780	2941	700
10575	3591	2979	1142	500	791	2979	700
11025	3658	3027	1158	540	802	3027	750
12075	3784	3121	1174	540	813	3121	750
12675	3829	3161	1196	540	826	3161	750
13350	3903	3221	1214	570	840	3221	800
14100	4010	3295	1236	570	855	3295	800
15000	4057	3357	1262	570	873	3357	800
16125	4170	3443	1293	625	894	3443	870

Weight unit is Kilograms. All measurements in mm. Measurements, weights, and drawings, are based on industry standards. Deviation margins need to be taken in mind, this is your own responsibility and not from Castle Hills AS.

High Holding Power – N HHP

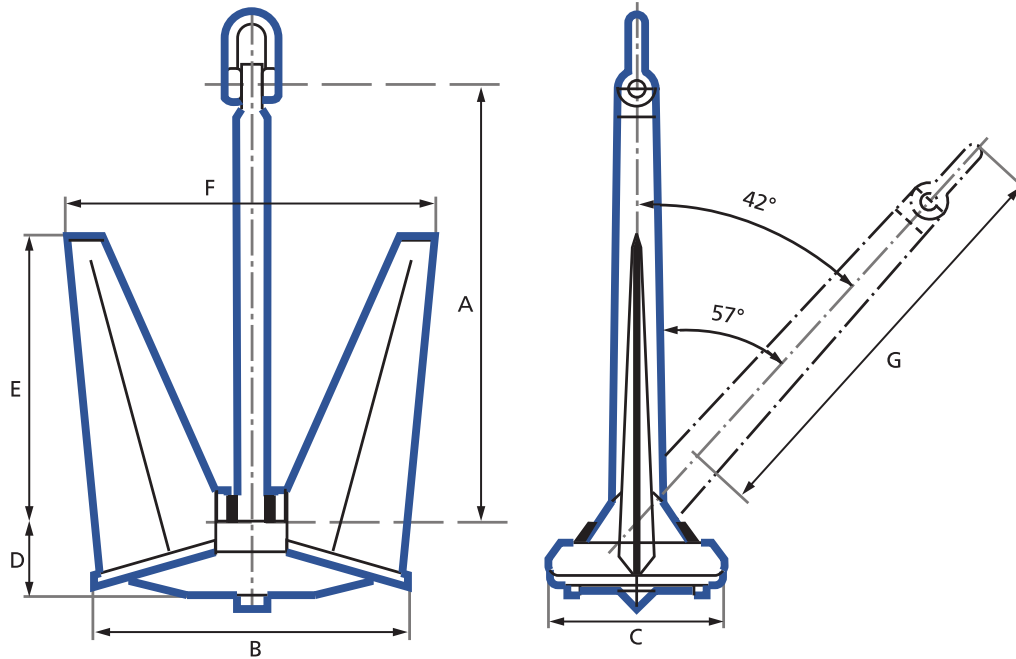


Weight	A	B	C	D	E	F
20	455	325	185	75	300	385
30	521	372	212	86	344	441
40	570	410	235	95	370	480
50	614	442	253	102	398	517
60	655	470	270	110	425	555
70	689	492	282	115	450	583
80	720	515	295	120	470	610
100	775	555	320	130	505	655
135	825	595	340	135	540	700
180	905	650	370	150	590	765
225	1040	745	425	175	680	880
270	1090	780	450	180	715	925
315	1140	820	470	190	748	965
360	1190	855	490	195	780	1005
430	1270	910	520	210	830	1075
495	1305	940	535	215	855	1105
585	1410	1010	580	235	920	1195
675	1440	1035	590	240	940	1220
765	1528	1096	615	250	1000	1290
855	1550	1115	635	255	1015	1310
970	1615	1160	665	270	1055	1365
1080	1670	1200	670	275	1090	1410

Weight unit is Kilograms. All measurements in mm. Measurements, weights, and drawings, are based on industry standards. Deviation margins need to be taken in mind, this is your own responsibility and not from Castle Hills AS.



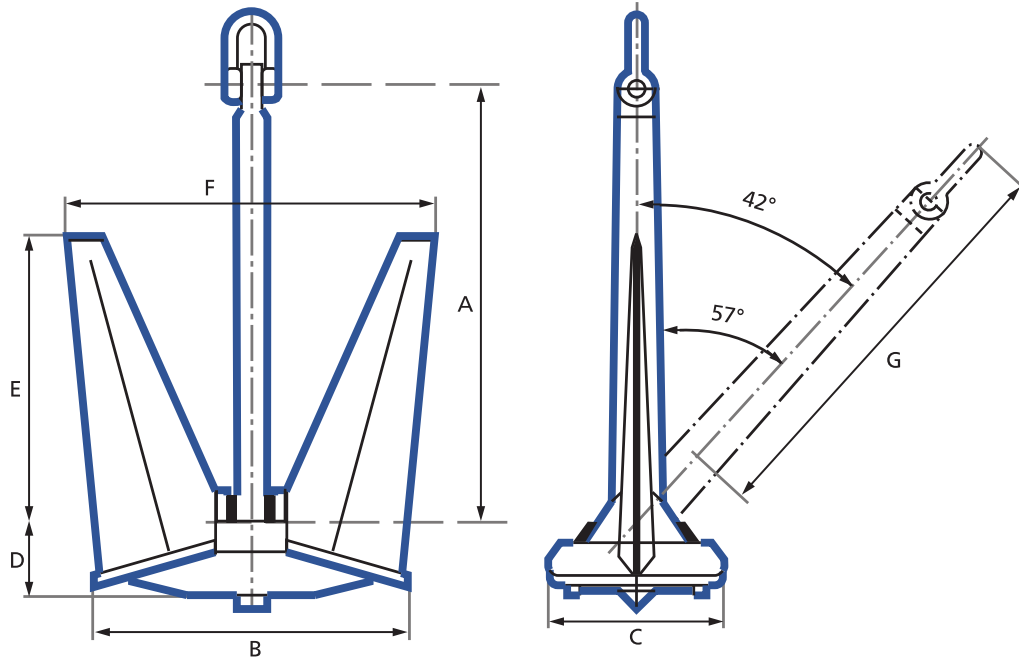
N HHP – High Holding Power



Weight	A	B	C	D	E	F
1195	1636	1270	708	436	1010	1485
1305	1800	1290	740	300	1175	1525
1440	1910	1370	765	315	1250	1615
1575	1769	1385	777	472	1092	1640
1710	2015	1445	775	335	1320	1705
1845	1890	1469	819	504	1168	1729
1980	2080	1500	780	345	1370	1770
2140	1986	1543	860	530	1226	1816
2295	2105	1570	812	350	1430	1850
2475	2240	1620	839	350	1510	1910
2655	2140	1684	926	566	1322	1954
2835	2320	1650	855	350	1510	1980
3240	2390	1700	885	360	1560	2040
3445	2470	1760	910	380	1610	2110
3940	2580	1820	945	390	1670	2190
4210	2650	1880	980	400	1730	2260
4500	2553	1976	1103	675	1576	2328
4840	2730	1950	1010	420	1780	2330
5175	2820	2010	1040	430	1840	2410
5515	2730	2116	1180	722	1686	2491
5850	2910	2080	1080	450	1900	2490
6225	2838	2204	1229	756	1750	2594

Weight unit is Kilograms. All measurements in mm. Measurements, weights, and drawings, are based on industry standards. Deviation margins need to be taken in mind, this is your own responsibility and not from Castle Hills AS.

High Holding Power – N HHP

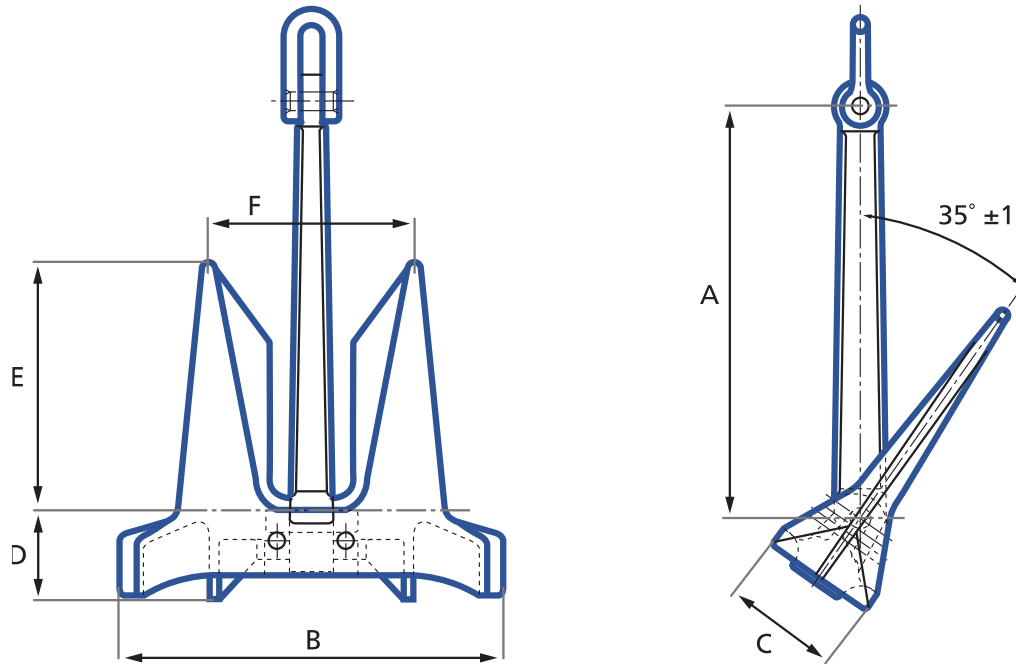


Weight	A	B	C	D	E	F
6525	3010	2150	1110	460	1980	2570
6975	3110	2220	1150	470	2030	2660
7425	3010	2338	1303	802	1858	2760
7875	3250	2290	1190	480	2100	2750
8775	3320	2370	1225	510	2160	2840
9225	3235	2512	1401	862	1997	2968
9675	3430	2450	1270	520	2240	2930
10125	3337	2592	1445	890	2060	3060
10575	3550	2530	1310	540	2310	3030
11550	3670	2610	1355	560	2390	3130
12075	3538	2748	1533	943	2184	3236
12675	3790	2700	1400	580	2470	3240
13350	3658	2842	1585	975	2258	3346
14100	3920	2790	1450	600	2550	3350
15000	4030	2880	1490	610	2630	3450
17250	4150	2960	1540	630	2710	3550

Weight unit is Kilograms. All measurements in mm. Measurements, weights, and drawings, are based on industry standards. Deviation margins need to be taken in mind, this is your own responsibility and not from Castle Hills AS.



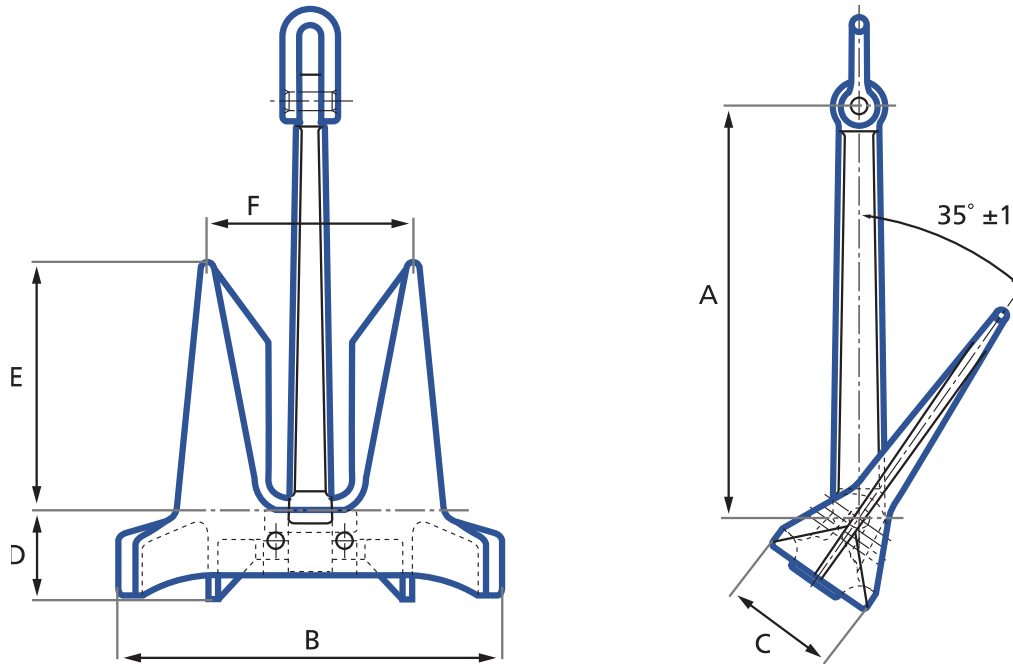
AC-14 – High Holding Power



Weight	A	B	C	D	E	F
30	491	440	136	85	299	236
45	590	529	164	107	359	283
75	677	605	188	122	411	324
94	718	643	199	130	437	344
112	745	666	207	135	452	357
135	821	737	228	143	500	394
180	904	811	251	157	550	434
225	974	874	270	169	593	468
270	1035	929	287	180	630	497
315	1090	978	302	189	663	524
360	1139	1022	316	198	694	547
430	1194	1071	331	206	727	574
495	1251	1122	347	216	762	602
585	1360	1221	378	236	828	654
675	1398	1254	387	242	851	672
765	1483	1304	404	264	885	698
855	1520	1363	423	267	925	729
970	1590	1425	440	275	968	764
1080	1631	1462	451	282	993	784
1195	1660	1490	465	287	1011	798
1305	1761	1580	488	305	1072	846
1440	1795	1610	497	311	1093	862

Weight unit is Kilograms. All measurements in mm. Measurements, weights, and drawings, are based on industry standards. Deviation margins need to be taken in mind, this is your own responsibility and not from Castle Hills AS.

High Holding Power – AC-14

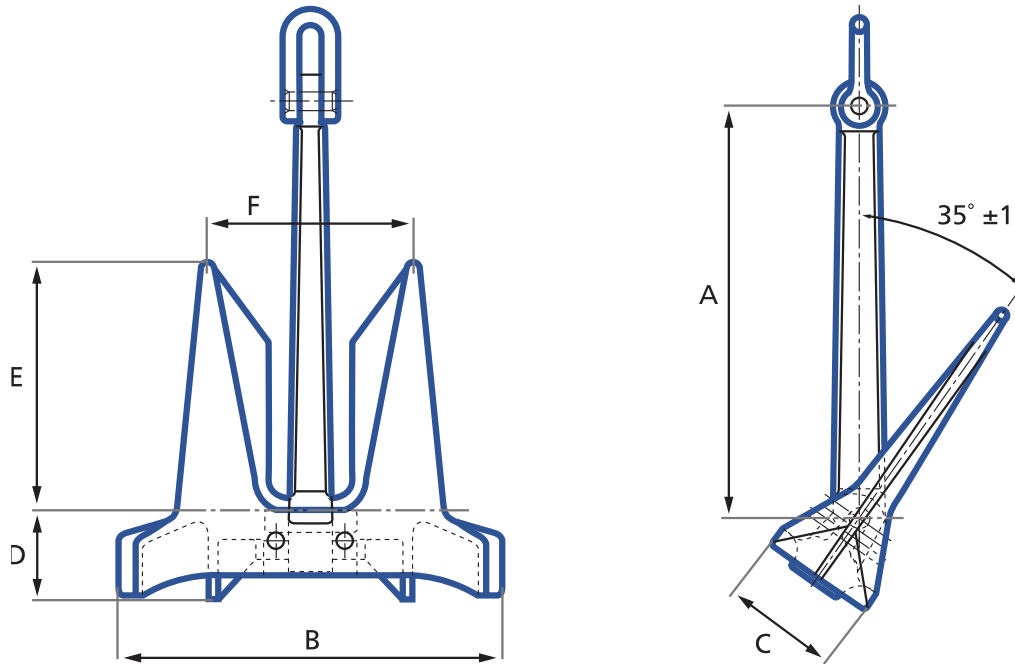


Weight	A	B	C	D	E	F
1575	1855	1665	514	321	1130	892
1710	1900	1705	526	329	1157	913
1845	1940	1741	538	336	1182	933
1980	1977	1774	548	342	1203	950
2140	2016	1809	559	349	1227	969
2295	2089	1874	579	362	1272	1004
2475	2150	1929	596	373	1309	1033
2655	2201	1975	610	382	1340	1057
2835	2253	2022	624	390	1372	1083
3040	2302	2066	638	399	1402	1107
3240	2352	2110	652	407	1432	1130
3445	2400	2154	665	415	1462	1154
3670	2451	2200	680	424	1493	1178
3940	2510	2252	696	434	1529	1207
4210	2566	2303	711	444	1563	1234
4500	2624	2355	727	454	1598	1261
4840	2688	2412	745	465	1637	1292
5175	2749	2467	762	476	1674	1321
5515	2808	2520	778	486	1710	1350
5850	2864	2570	794	496	1744	1376
6225	2923	2623	810	506	1780	1405
6525	2970	2665	823	514	1808	1428

Weight unit is Kilograms. All measurements in mm. Measurements, weights, and drawings, are based on industry standards. Deviation margins need to be taken in mind, this is your own responsibility and not from Castle Hills AS.



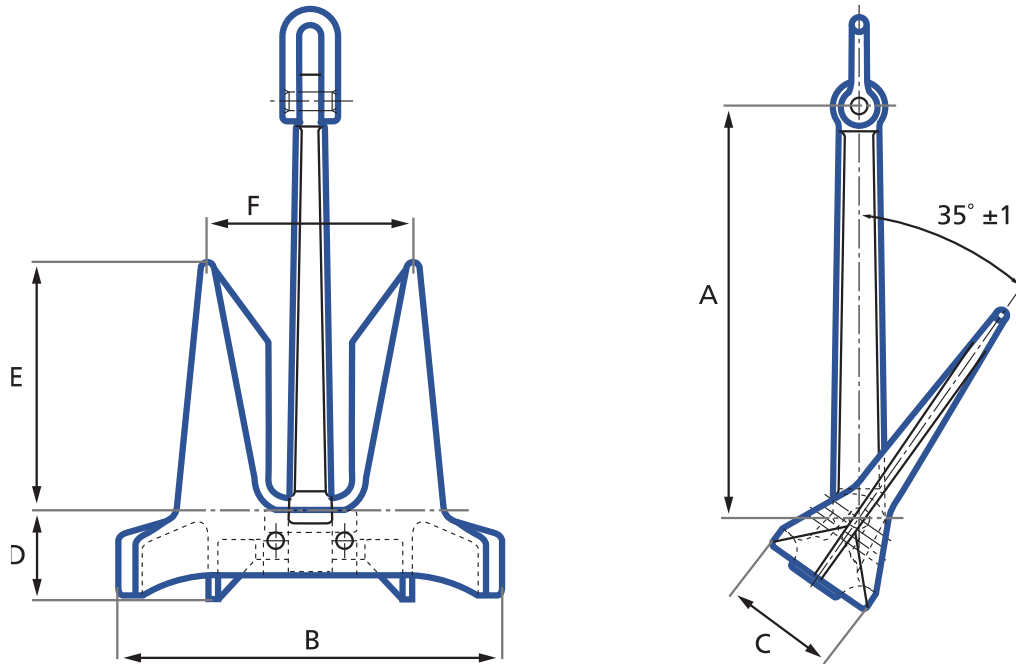
AC-14 – High Holding Power



Weight	A	B	C	D	E	F
6975	3042	2730	843	527	1853	1462
7425	3100	2782	859	537	1888	1490
7875	3162	2837	876	547	1925	1520
8325	3221	2890	893	558	1961	1548
8775	3278	2942	909	567	1996	1576
9225	3333	2991	924	577	2030	1602
9675	3386	3039	939	586	2062	1628
10125	3438	3085	953	595	2094	1653
10575	3488	3130	967	604	2124	1677
11025	3537	3174	981	612	2154	1700
11550	3592	3224	996	622	2188	1727
12075	3646	3272	1011	631	2220	1753
12675	3705	3325	1027	641	2256	1781
13350	3770	3383	1045	653	2296	1812
14100	3839	3445	1064	665	2338	1846
15000	3919	3517	1086	678	2387	1884
16125	4015	3603	1113	695	2445	1930
17250	4106	3685	1138	711	2501	1974
18375	4194	3763	1163	726	2554	2016
19500	4278	3839	1186	740	2605	2056
20625	4358	3911	1208	754	2654	2095
21750	4436	3981	1230	768	2702	2132

Weight unit is Kilograms. All measurements in mm. Measurements, weights, and drawings, are based on industry standards. Deviation margins need to be taken in mind, this is your own responsibility and not from Castle Hills AS.

High Holding Power – AC-14

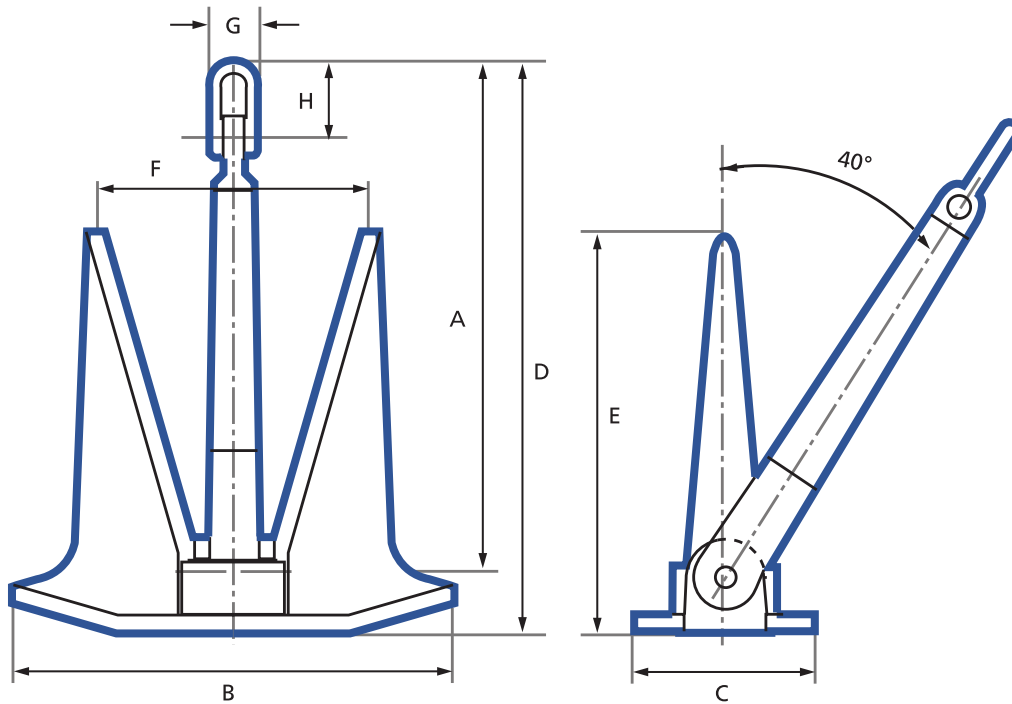


Weight	A	B	C	D	E	F
23250	4536	4070	1258	785	2763	2180
24750	4632	4156	1284	801	2821	2226
26625	4746	4259	1316	821	2890	2280
28875	4876	4375	1352	844	2969	2343
31500	5020	4504	1392	868	3057	2412
34500	5174	4643	1435	895	3151	2486
36000	5248	4709	1455	908	3196	2522

Weight unit is Kilograms. All measurements in mm. Measurements, weights, and drawings, are based on industry standards. Deviation margins need to be taken in mind, this is your own responsibility and not from Castle Hills AS.



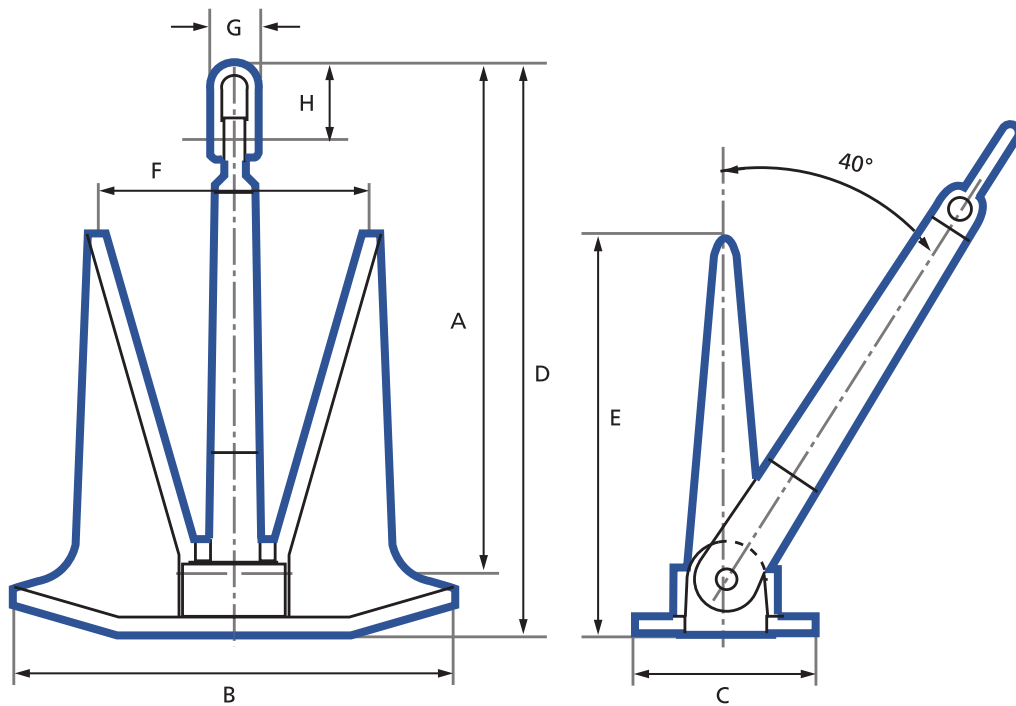
D'HONE – High Holding Power



Weight	A	B	C	D	E	F	G	H
500	1190	1150	430	1565	1020	675	150	215
550	1230	1185	440	1605	1050	695	150	215
600	1265	1220	455	1645	1080	715	150	215
650	1300	1255	470	1705	1110	730	170	235
700	1335	1290	480	1745	1140	750	170	235
750	1365	1320	490	1785	1165	770	170	235
800	1390	1345	500	1815	1190	785	170	235
850	1420	1375	510	1880	1215	800	185	270
900	1445	1395	520	1910	1235	815	185	270
950	1475	1425	530	1940	1260	830	185	270
1000	1500	1450	540	1970	1280	845	185	270
1100	1545	1490	555	2055	1320	870	205	305
1200	1590	1540	570	2105	1360	900	205	305
1300	1640	1585	590	2155	1400	925	205	305
1400	1680	1620	605	2205	1435	945	205	305
1500	1720	1660	620	2255	1470	970	205	305
1600	1755	1700	630	2315	1500	990	225	325
1700	1790	1730	645	2355	1530	1010	225	325
1800	1825	1765	655	2395	1560	1030	225	325
1900	1855	1790	665	2425	1585	1050	225	325
2000	1890	1825	680	2465	1615	1065	225	325
2200	1950	1880	700	2570	1665	1090	250	360

Weight unit is Kilograms. All measurements in mm. Measurements, weights, and drawings, are based on industry standards. Deviation margins need to be taken in mind, this is your own responsibility and not from Castle Hills AS.

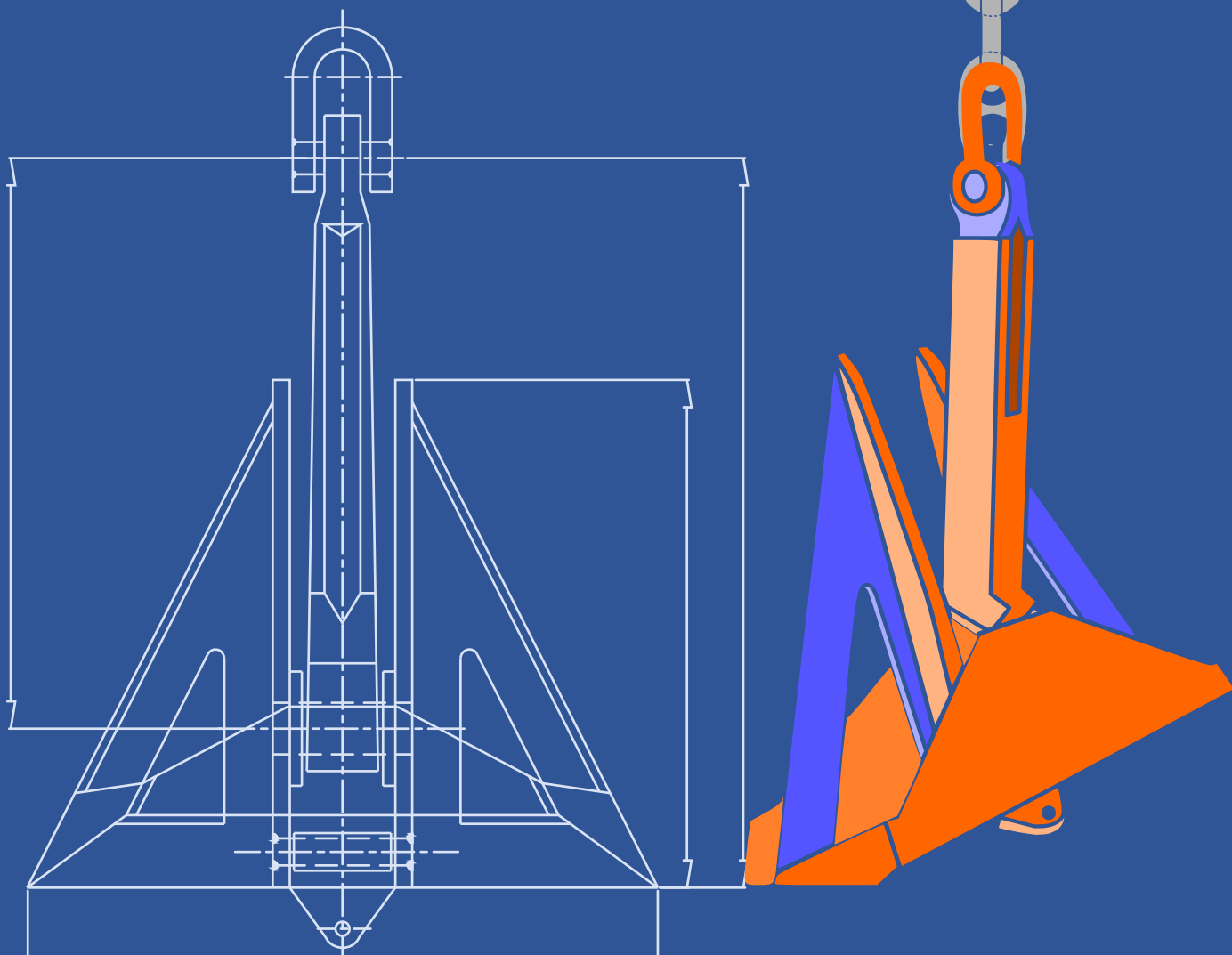
High Holding Power – D'HONE



Weight	A	B	C	D	E	F	G	H
2400	2010	1940	720	2630	1715	1130	250	360
2600	2060	1990	740	2690	1760	1160	250	360
2800	2120	2050	760	2760	1810	1190	250	360
3000	2170	2090	780	2810	1850	1220	250	360
4210	2200	2330	865	3495	2060	1360	390	770
5175	3130	2510	935	3700	2215	1460	390	770

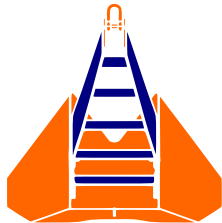
Weight unit is Kilograms. All measurements in mm. Measurements, weights, and drawings, are based on industry standards. Deviation margins need to be taken in mind, this is your own responsibility and not from Castle Hills AS.

Offshore Anchors

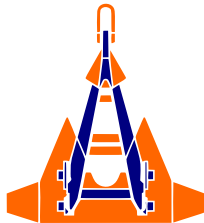


Offshore Anchors

Mk6



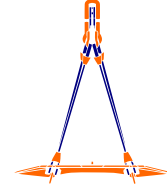
Mk5



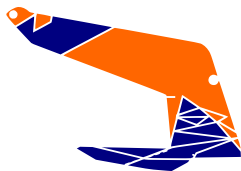
Shark



Manta



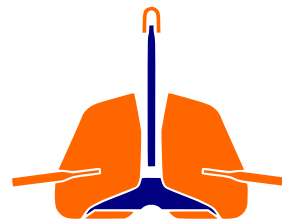
FFTS



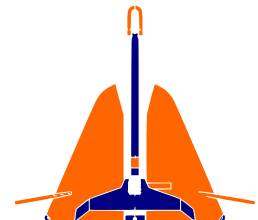
TS



Mud



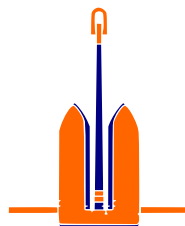
Stevin



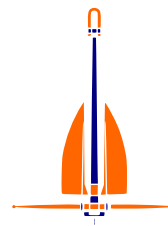
Delta



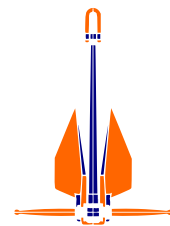
Moorfast



LWT



Danforth



In Stock

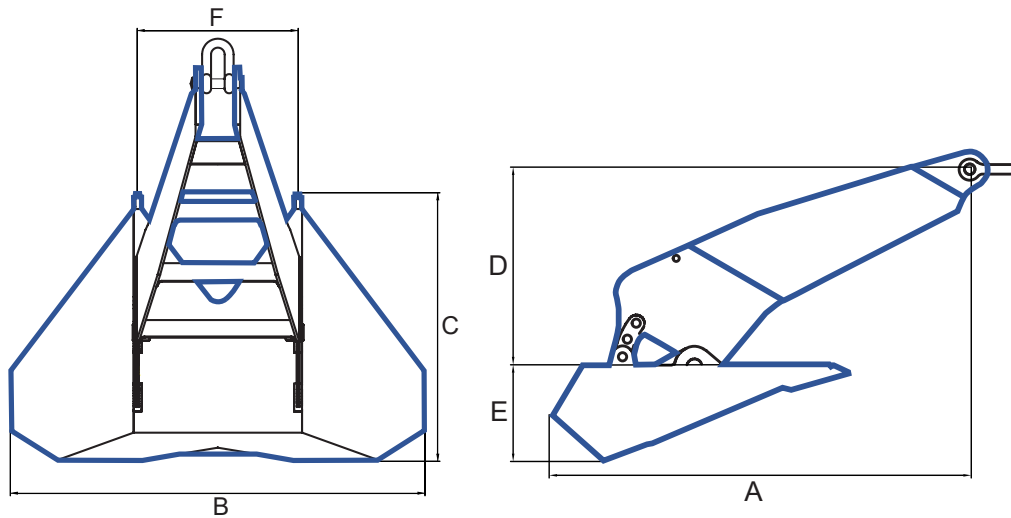
First and Second Hand offshore anchors in stock in Norway and APAC. Stevpris Mk6, Mk5, original Flipper Delta, and many more.



Weight unit is Kilograms. All measurements in mm. Measurements, weights, and drawings, are based on industry standards. Deviation margins need to be taken in mind, this is your own responsibility and not from Castle Hills AS.



Stevpris Mk6 – Offshore Anchors

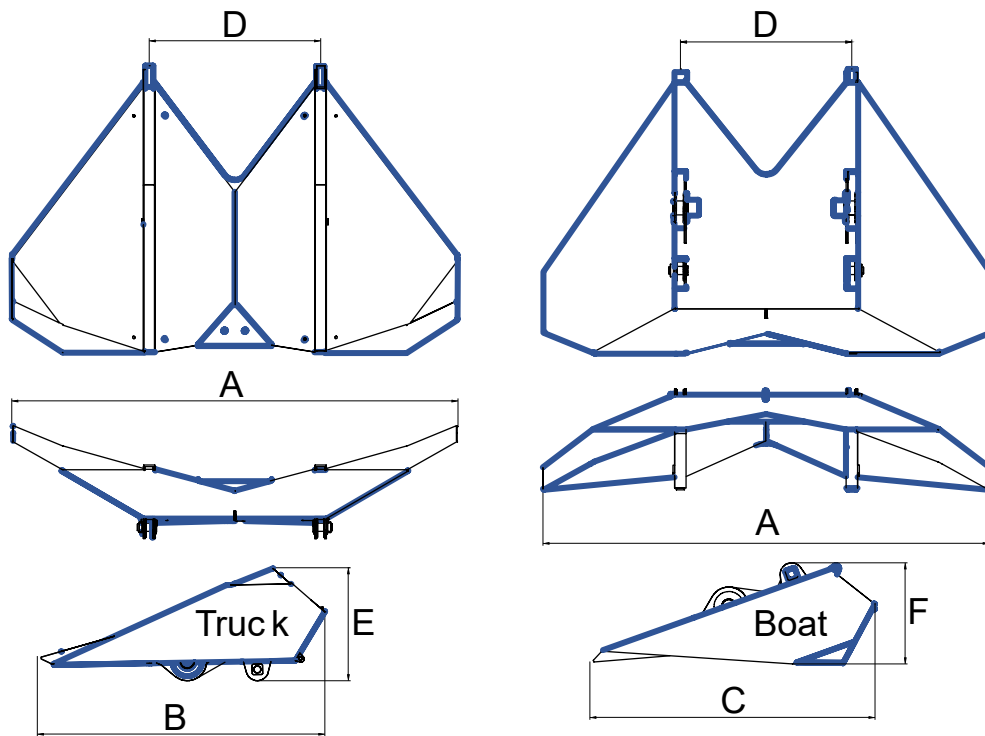


Weight	A	B	C	D	E	F
1500	2797	3059	1981	1321	641	1170
3000	3523	3870	2495	1664	808	1490
5000	4178	4602	2958	1973	958	1781
8000	4886	5390	3460	2308	1120	2090
10000	5263	5807	3728	2486	1206	2253
12000	5593	6171	3961	2642	1282	2394
15000	6025	6679	4267	2846	1381	2610
18000	6402	7101	4534	3024	1468	2777
20000	6631	7368	4696	3132	1520	2890
22000	6845	7625	4848	3234	1569	3002
25000	7143	7962	5059	3374	1637	3138
30000	7591	8451	5376	3586	1740	3324

Weight unit is Kilograms. All measurements in mm. Measurements, weights, and drawings, are based on industry standards. Deviation margins need to be taken in mind, this is your own responsibility and not from Castle Hills AS.

Offshore Anchors – **Stevpris Mk6**

TRANSPORT DIMENSIONS



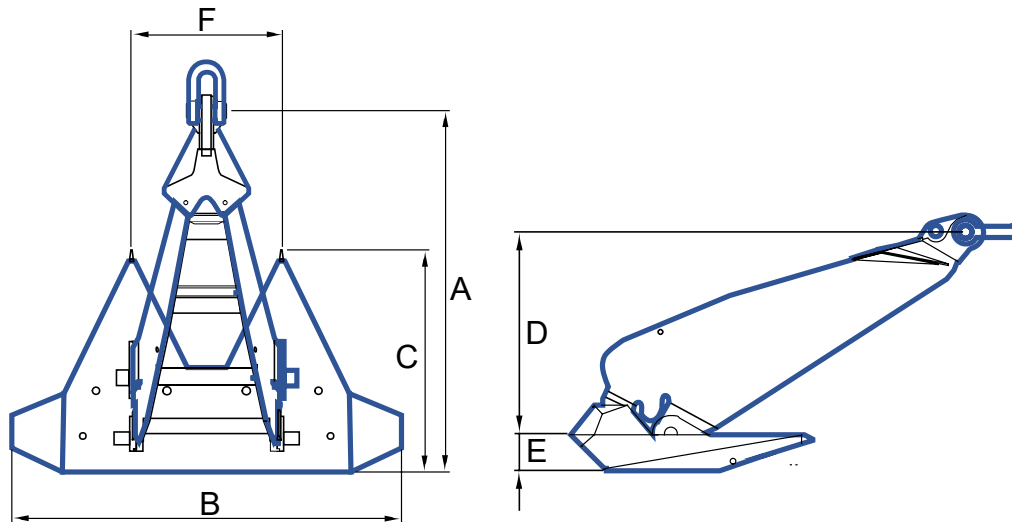
A	B	C	D	E	F
6,68	4,25	4,23	2,61	1,68	1,50

This graphic represents the standard transportation positions of a Stevpris Mk6 anchor.

Weight unit is Kilograms. All measurements in mm. Measurements, weights, and drawings, are based on industry standards. Deviation margins need to be taken in mind, this is your own responsibility and not from Castle Hills AS.



Stevpris Mk5 – Offshore Anchors

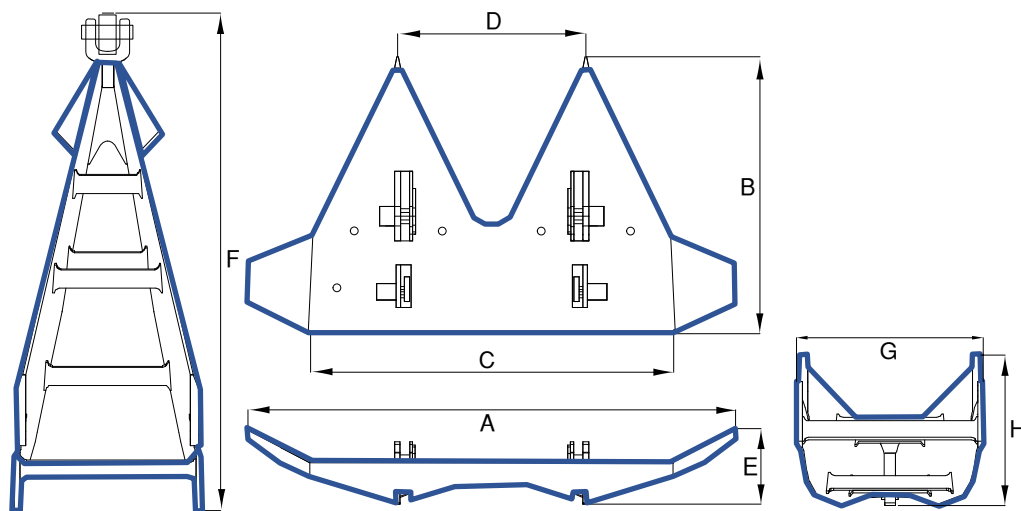


Weight	A	B	C	D	E	F
1500	2954	3184	1812	1505	271	1230
3000	3721	4011	2283	1896	342	1550
5000	4412	4756	2707	2248	406	1837
8000	5161	5563	3166	2629	474	2149
10000	5559	5992	3410	2832	511	2315
12000	5908	6368	3624	3010	543	2460
15000	6364	6860	3904	3242	585	2650
18000	6763	7290	4149	3446	622	2816
20000	7004	7550	4297	3569	644	2917
22000	7230	7794	4436	3684	665	3011
25000	7545	8133	4629	3844	694	3142
30000	8018	8643	4919	4085	737	3339
65000	10375	11184	6365	5286	954	4321

Weight unit is Kilograms. All measurements in mm. Measurements, weights, and drawings, are based on industry standards. Deviation margins need to be taken in mind, this is your own responsibility and not from Castle Hills AS.

Offshore Anchors – **Stevpris Mk5**

TRANSPORT DIMENSIONS

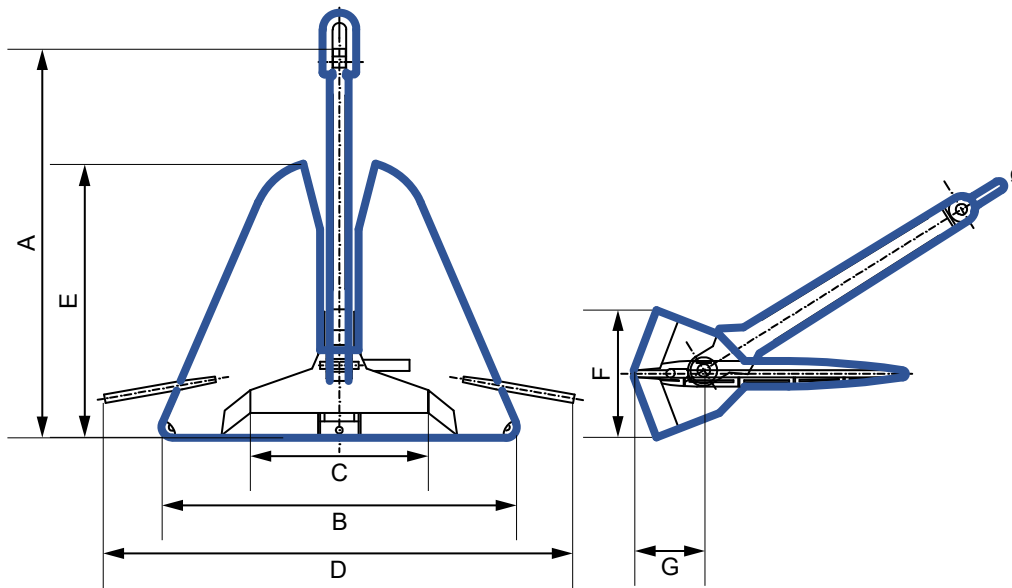


A	B	C	D	E	F	G	H
6,45	3,67	4,79	2,49	1	6,67	2,47	1,99

This graphic represents the standard proportions of a Stevpris Mk5 anchor, used in transportation.

Weight unit is Kilograms. All measurements in mm. Measurements, weights, and drawings, are based on industry standards. Deviation margins need to be taken in mind, this is your own responsibility and not from Castle Hills AS.

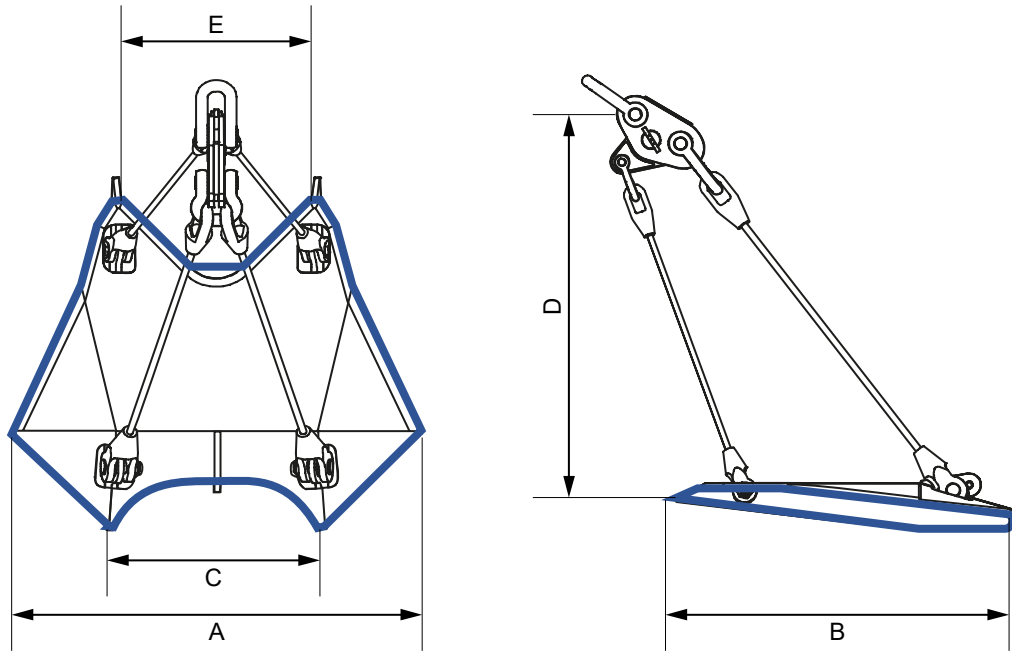
Stevin Mk3 – Offshore Anchors



Weight	A	B	C	D	E	F	G	Ø
1000	2429	2023	1010	2654	1559	737	412	60
1500	2774	2316	1156	3038	1785	843	471	65
3000	3493	2918	1456	3828	2249	1063	594	80
5000	4120	3460	1727	4538	2667	1260	704	80
7000	4602	3871	1932	5077	2983	1409	788	90
9000	5012	4209	2100	5521	3244	1533	857	100
12000	5516	4632	2312	6076	3570	1687	943	110
15000	5942	4990	2490	6545	3846	1817	1016	120
20000	6372	5324	2674	6986	4100	2048	1083	160
30000	7289	6094	3061	7997	4694	2345	1240	180

Weight unit is Kilograms. All measurements in mm. Measurements, weights, and drawings, are based on industry standards. Deviation margins need to be taken in mind, this is your own responsibility and not from Castle Hills AS.

Offshore Anchors – Stevmanta

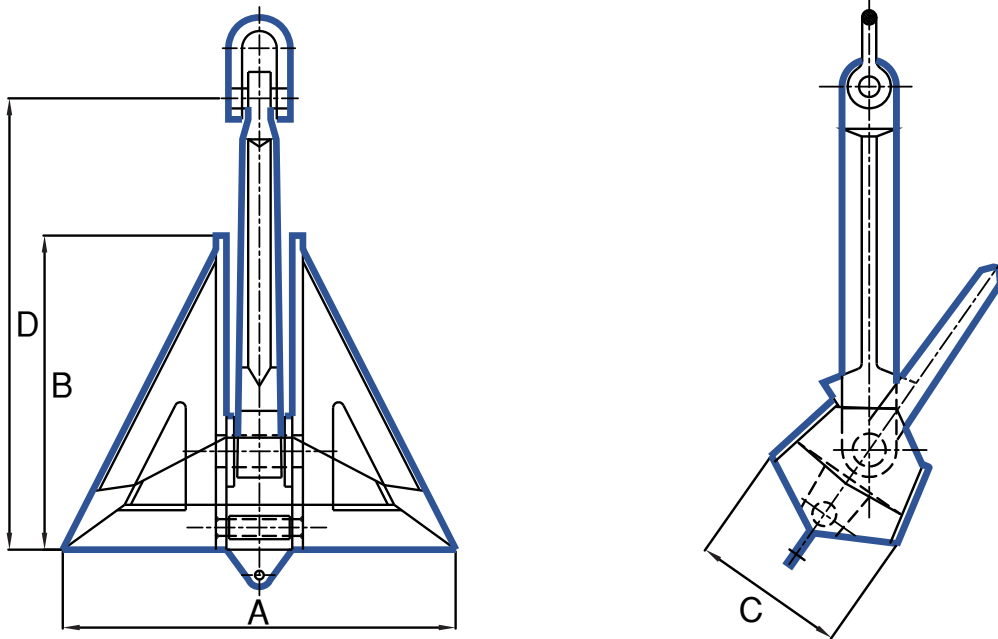


Area	A	B	C	D	E
5	3143	2976	1945	3075	1459
8	3975	3765	2460	3890	1845
10	4445	4209	2750	4349	2063
12	4869	4611	3013	4764	2260
15	5443	5155	3368	5326	2527
17	5795	5488	3586	5670	2690
20	6286	5953	3890	6150	2918

Weight unit is Kilograms. All measurements in mm. Measurements, weights, and drawings, are based on industry standards. Deviation margins need to be taken in mind, this is your own responsibility and not from Castle Hills AS.



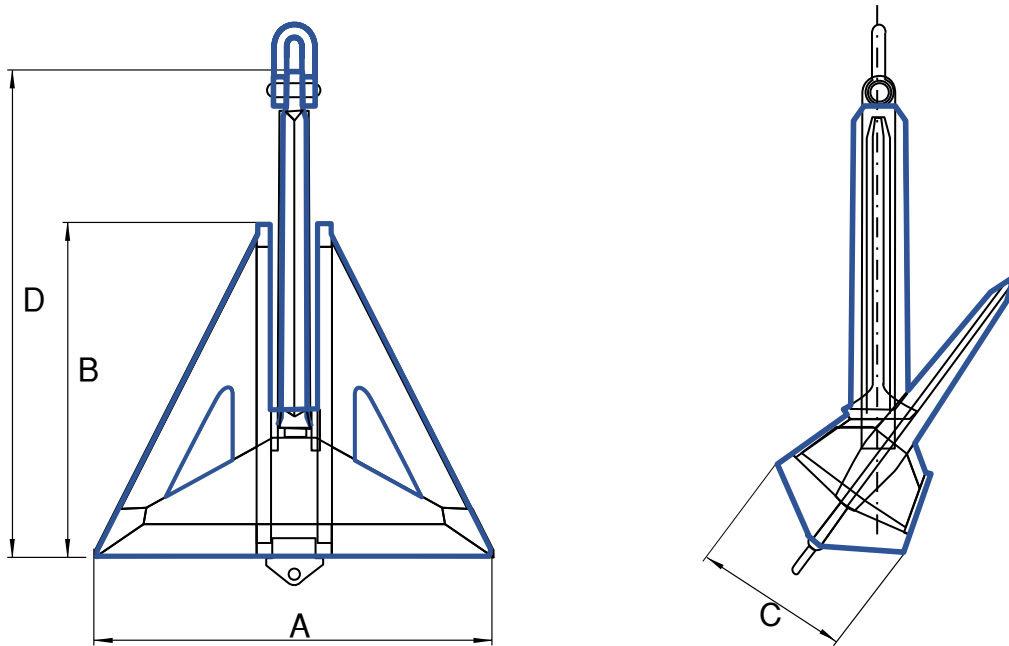
Super Delta – Offshore Anchors



Weight	A	B	C	D
1000	1780	1424	680	2107
2000	2381	1884	895	2714
2500	2541	2027	963	2921
3000	2560	2047	983	3020
4000	2973	2372	1127	3418
5000	3200	2554	1213	3737
7000	3582	2858	1358	4118
8000	3747	2989	1421	4308
9000	3897	3109	1478	4481
10000	4036	3220	1530	4641
12000	4495	3596	1689	5320
13000	4399	3510	1668	5058
15000	4845	3875	1840	5750
18000	5140	4080	1900	6080
20000	5140	4260	2010	6310
25000	5740	4590	2065	6795
30000	6090	4858	2277	7208
40000	6650	5290	2480	7850

Weight unit is Kilograms. All measurements in mm. Measurements, weights, and drawings, are based on industry standards. Deviation margins need to be taken in mind, this is your own responsibility and not from Castle Hills AS.

Offshore Anchors – Flipper Delta

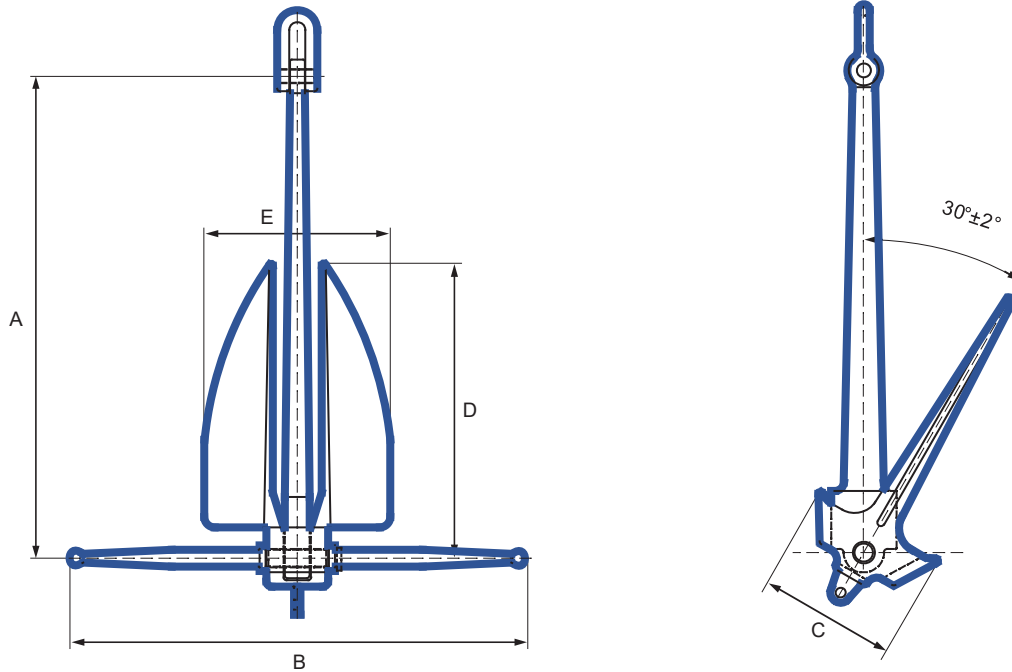


Weight	A	B	C	D
500	1500	1200	570	1800
1000	1960	1560	740	2305
2000	2470	2000	930	2960
3000	2830	2285	1070	3380
5000	3300	2660	1260	3945
7000	3750	2995	1405	4440
7500	3850	3080	1435	4565
9000	4130	3320	1550	4925
10000	4270	3400	1600	5040
12000	4530	3600	1705	5335
15000	4845	3875	1830	5735
22500	5490	4360	2060	6470
40000	6650	5290	2480	7850
50000	7150	5690	2670	8440
60000	7600	6040	2830	9000
75000	8200	6560	3100	9430

Weight unit is Kilograms. All measurements in mm. Measurements, weights, and drawings, are based on industry standards. Deviation margins need to be taken in mind, this is your own responsibility and not from Castle Hills AS.



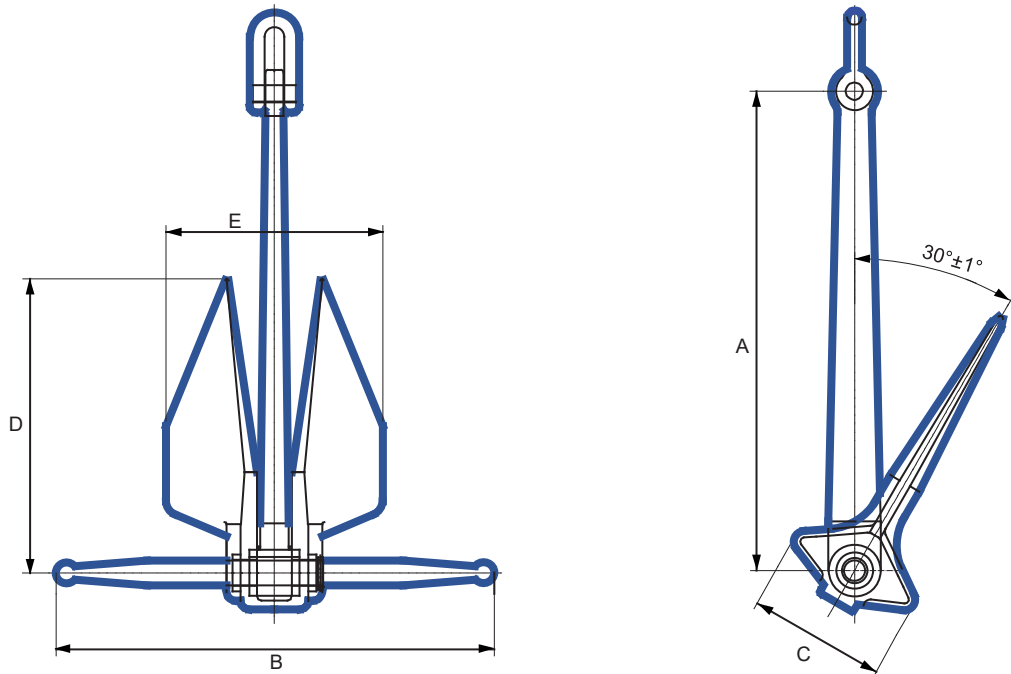
LWT Light Weight – Offshore Anchors



Weight	A	B	C	D	E
454	1905	1803	622	1168	751
2268	2997	2845	984	1829	1185
4536	3658	3480	1245	2235	1450
6804	3988	3791	1362	2438	1580
9072	4394	4166	1499	2692	1736
11340	4851	4521	1708	2946	4519
13608	5029	4801	1715	3073	2000
15876	5283	5055	1803	3226	2106
18144	5537	6096	1905	3327	2540
27216	6350	7061	2184	3810	2942

Weight unit is Kilograms. All measurements in mm. Measurements, weights, and drawings, are based on industry standards. Deviation margins need to be taken in mind, this is your own responsibility and not from Castle Hills AS.

Offshore Anchors – Danforth

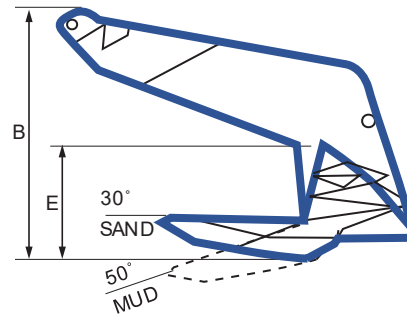
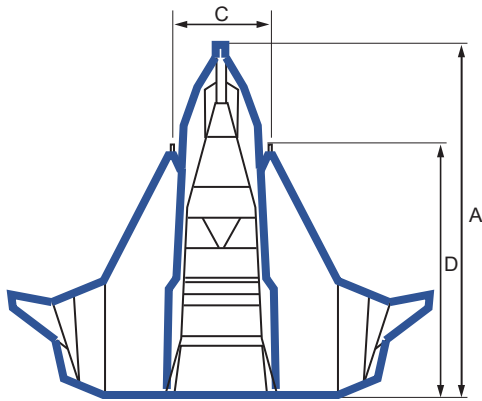


Weight	A	B	C	D	E
135	1350	1130	275	820	560
225	1600	1340	325	975	665
340	1720	1480	370	1000	720
455	1830	1580	410	1100	760
680	1955	1690	475	1180	815
910	2100	1820	525	1275	900
1135	2260	2140	560	1350	930
1360	2390	2260	595	1440	990
1820	2640	2550	660	1590	1050
2270	2780	2700	710	1650	1170
2730	2960	2810	750	1780	1200
3180	3120	2960	790	1880	1260
3635	3260	3090	825	1960	1320
4080	3380	3210	860	2040	1370
4540	3510	3330	890	2100	1420
5545	3730	3540	945	2240	1510
6350	3920	3720	995	2360	1590
7260	4100	4000	1040	2470	1660
8165	4270	4080	1080	2560	1730
9075	4570	4150	1110	2620	1770
11345	4710	4470	1195	2820	1910
13610	5000	4750	1270	3000	2025

Weight unit is Kilograms. All measurements in mm. Measurements, weights, and drawings, are based on industry standards. Deviation margins need to be taken in mind, this is your own responsibility and not from Castle Hills AS.



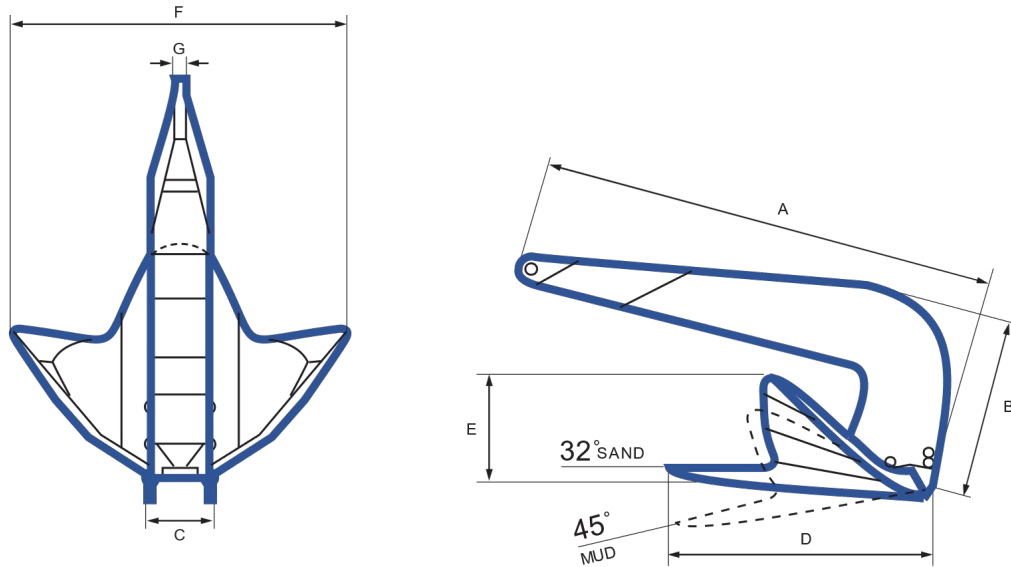
Bruce Mk4 FFTS – Offshore Anchors



Weight	A	B	C	D	E
500	1827	1280	500	1303	606
1500	2648	1854	723	1888	878
3000	3409	2388	931	2431	1131
5000	4029	2822	1100	2873	1336
9000	4846	3394	1324	3456	1607
10000	5087	3563	1390	3628	1687
12000	5437	3808	1486	3878	1803
15000	5728	4012	1566	4085	1900
18000	6129	4292	1674	4371	2032
20000	6319	4426	1726	4507	2096
30000	7225	5060	1974	5153	2396
40000	8034	5627	2195	5730	2664

Weight unit is Kilograms. All measurements in mm. Measurements, weights, and drawings, are based on industry standards. Deviation margins need to be taken in mind, this is your own responsibility and not from Castle Hills AS.

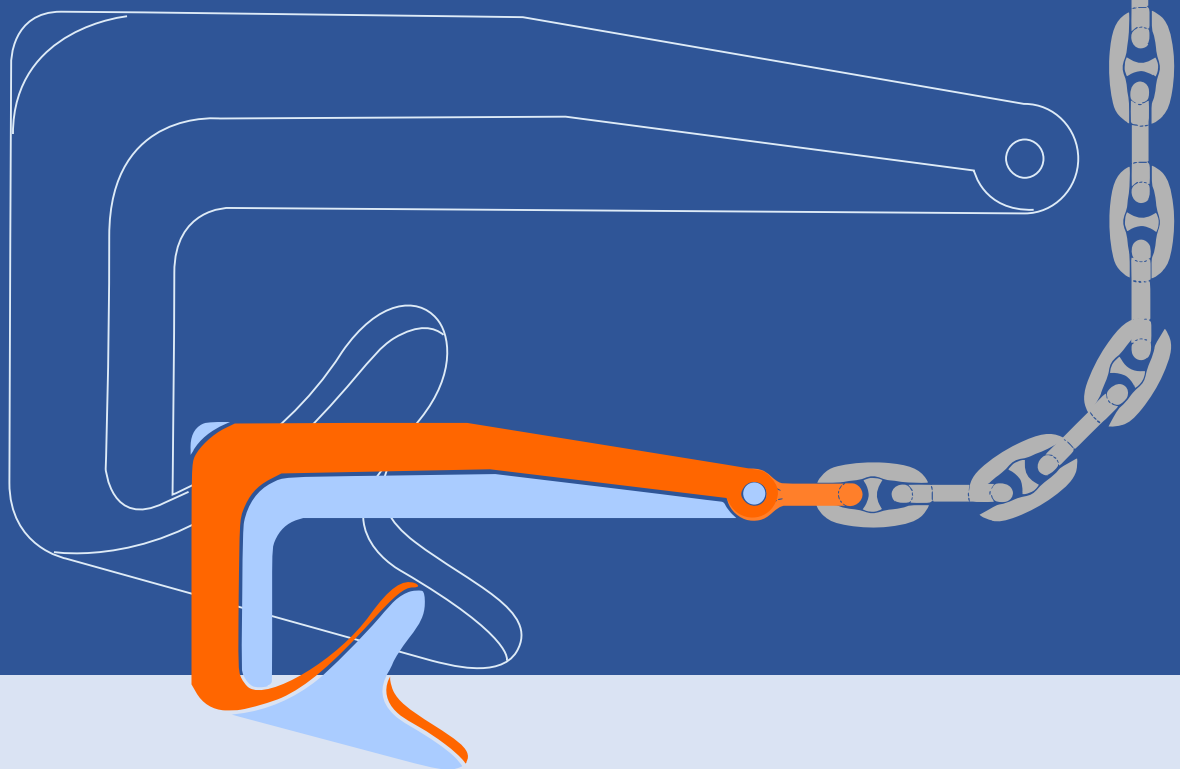
Offshore Anchors – Bruce TS



Weight	A	B	C	D	E	F	G
114	1228	487	197	699	313	935	30
184	1500	595	241	854	383	1142	35
294	1765	700	283	1005	450	1344	40
439	2055	815	330	1170	504	1564	40
856	2435	965	391	1386	621	1854	55
3000	3843	1524	616	2187	980	2926	95
5000	4535	1798	727	2582	1156	3452	115
9000	5525	2191	886	3146	1409	4206	155
12000	6063	2404	972	3452	1546	4616	155
15000	6705	2659	1076	3816	1710	5105	155
18000	6984	2769	1120	3977	1781	5318	155

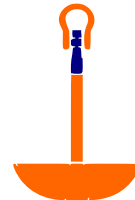
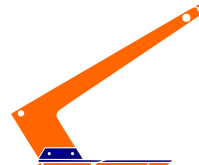
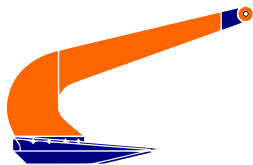
Weight unit is Kilograms. All measurements in mm. Measurements, weights, and drawings, are based on industry standards. Deviation margins need to be taken in mind, this is your own responsibility and not from Castle Hills AS.

Plough Anchors



Plough Anchors

Stingray Bruce Sandig Mushroom



Fish farms are located generally in muddy terrain of not so deep waters. Therefore, they have special needs, which are reflected in the shape of their equipment. Plough anchors are shaped like plows, trapping the sand and grabbing well to the lower terrains. The most commonly used one is the Stingray, and one of the most specialized is the Mushroom Anchor, commonly needed in Norway, Iceland and Sweden due to Aquaculture.

Popular Plough Anchors in Stock:

Stingray

Stingray anchors for Fish Farming in Stock at our facilities in Norway, as well as in APAC. First and Second Hand.



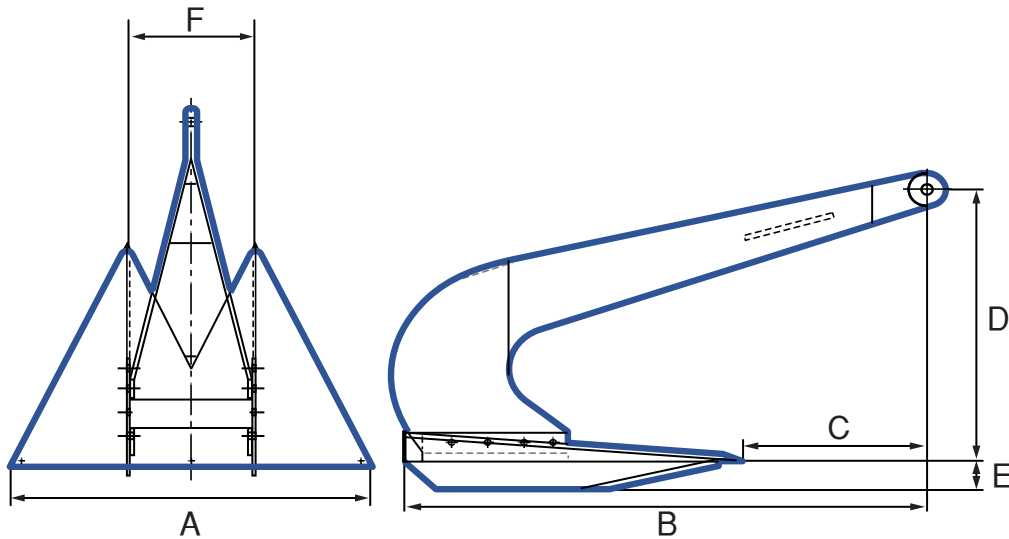
Bruce SS

Over 20 different sizes of the Bruce Single Shank anchor in Stock.

Weight unit is Kilograms. All measurements in mm. Measurements, weights, and drawings, are based on industry standards. Deviation margins need to be taken in mind, this is your own responsibility and not from Castle Hills AS.



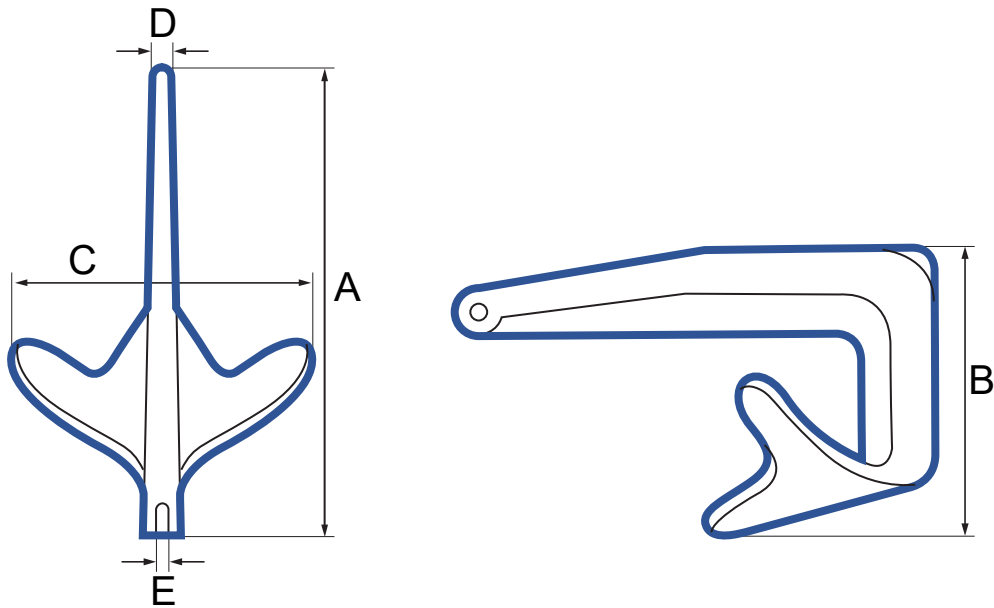
Stingray – Plough Anchors



Weight	A	B	C	D	E	F
50	1013	1023	347	598	54	368
75	1060	1070	363	625	58	385
100	1171	1182	401	691	64	426
150	1258	1271	432	742	69	458
250	1515	1530	519	895	83	556
375	1748	1765	599	1031	96	635
500	2024	2045	694	1190	111	736
750	2222	2243	761	1311	122	808
1000	2491	2516	854	1470	136	905
2000	3078	3109	1055	1817	168	1119
3000	3638	3719	1312	2160	197	1311
5000	4248	4291	1456	2504	232	1544

Weight unit is Kilograms. All measurements in mm. Measurements, weights, and drawings, are based on industry standards. Deviation margins need to be taken in mind, this is your own responsibility and not from Castle Hills AS.

Plough Anchors – **Bruce SS**

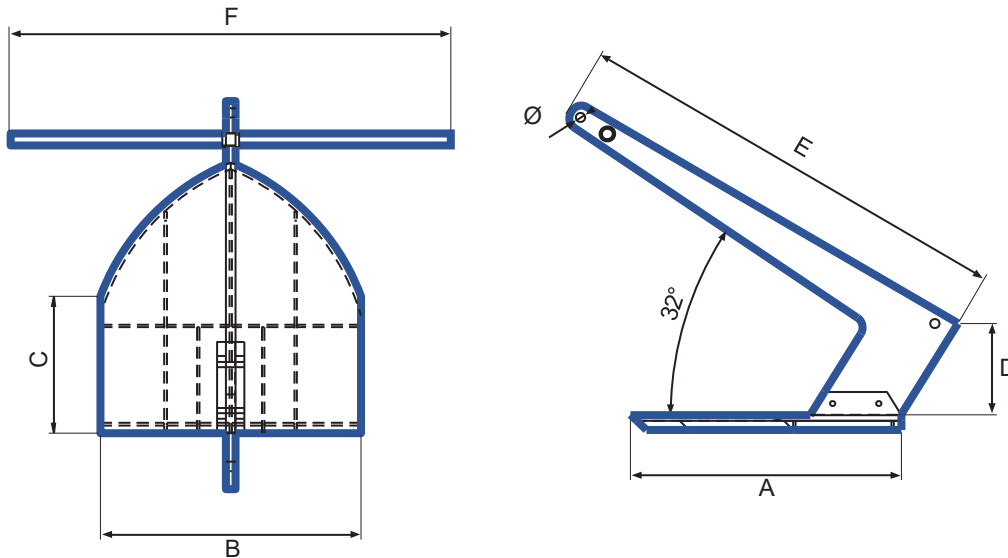


Weight	A	B	C	D	E
50	940	510	630	24	15
600	2020	1130	1370	56	40
1000	2400	1340	1630	64	53
2000	3030	1690	2050	84	61
3000	3460	1930	2350	92	70
6500	4530	2530	3070	125	92
9000	5000	2790	3380	140	92

Weight unit is Kilograms. All measurements in mm. Measurements, weights, and drawings, are based on industry standards. Deviation margins need to be taken in mind, this is your own responsibility and not from Castle Hills AS.



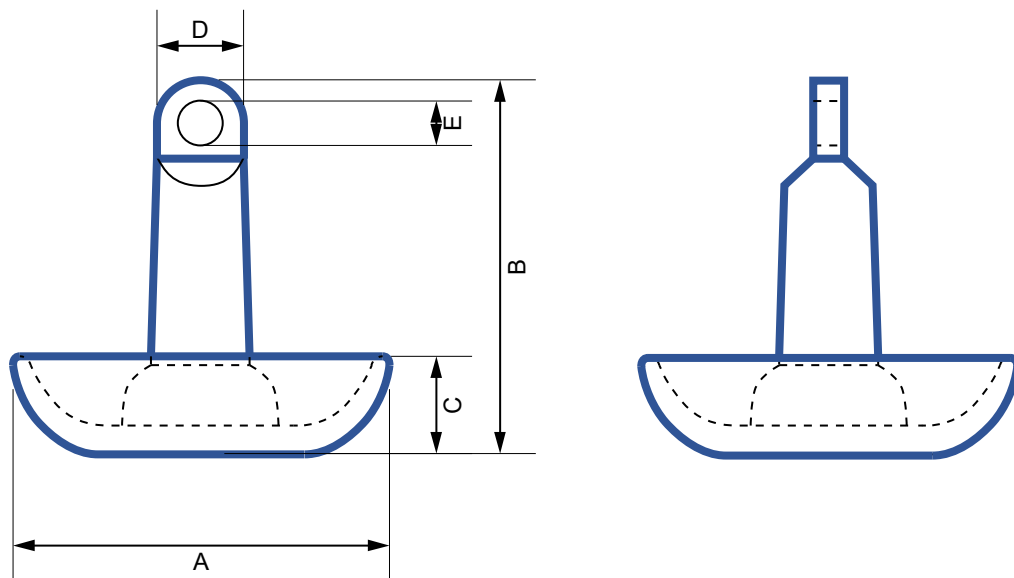
Sandig – Plough Anchors



Weight	A	B	C	D	E	F	Ø
300	1030	945	550	393	1650	1650	50
500	1290	1220	650	440	2100	2100	50
700	1400	1280	700	492	2350	2350	60
1000	1560	1480	780	551	2590	2590	60
1500	1760	1690	890	594	2865	2865	60
2000	1970	1840	940	712	3000	3000	75
2500	2100	1980	970	765	3200	3200	80
3000	2200	2070	1050	853	3355	3355	85
4000	2135	2016	1136	939	3275	3275	96
5000	2343	2212	1247	1027	3358	3358	104

Weight unit is Kilograms. All measurements in mm. Measurements, weights, and drawings, are based on industry standards. Deviation margins need to be taken in mind, this is your own responsibility and not from Castle Hills AS.

Plough Anchors – Mushroom



Weight	A	B	C	D	E
2	138	136	36	33.5	17.5
4	170	192	48	44	23
5	196	195	55	45	23
5	204	186	48	45	23
7	205	192	57	45	23
9	210	200	68	46	23
11	218	262	68	52	22

Weight unit is Kilograms. All measurements in mm. Measurements, weights, and drawings, are based on industry standards. Deviation margins need to be taken in mind, this is your own responsibility and not from Castle Hills AS.

CHAIN TABLES



Anchor Chain – **Weights & Sizes**

Dia	Stud Link	Stud Link	Common Link	Enlarged Link	End Link	Joining Kenter Shackle	Anchor Shackle Type D	Swivel Swivel	Swivel Shackle Type A	Swivel Fore runner
mm	Kg / m	/ 27.5 m	Kgs	Kgs	Kgs	Kgs	Kgs	Kgs	Kgs	Kgs
12.5	3.5	96	0.17	0.23	0.23	0.39	1.1	0.9	-	1.76
14	4.4	121	0.24	0.32	0.36	0.51	1.3	1.3	9	2.52
16	5.8	160	0.36	0.50	0.51	0.62	1.6	1.7	-	3.57
17.5	7.0	193	0.47	0.74	0.68	0.82	2.0	2.1	14	4.73
19	8.1	223	0.60	0.88	0.89	1.00	2.5	2.5	15	5.75
20.5	10.0	275	0.75	1.10	1.13	1.35	3.3	3.1	17	7.18
22	11.1	305	0.93	1.25	1.28	1.6	4.0	3.5	20	8.21
24	13.3	366	1.21	1.70	1.77	2.0	5.0	5.0	22	11.38
26	15.7	432	1.55	2.15	2.20	2.7	6.0	6.0	32	14.05
28	18.3	503	1.9	2.8	2.9	3.3	8.0	7.5	43	17.90
30	21.0	578	2.4	3.2	3.3	3.9	9.5	9.0	72	21.1
32	23.9	657	2.9	3.9	4.0	4.6	12.0	11.0	98	25.7
34	27.0	743	3.4	4.7	5.0	5.8	14.0	13.5	102	31.3
36	30.2	831	4.0	5.5	5.9	6.6	17.0	16.0	112	36.9
38	33.7	927	4.7	6.1	6.8	7.8	20.0	19.0	118	42.7
40	37.1	1020	5.5	7.1	8.0	9.1	23.0	23.0	122	50.7
42	40.5	1114	6.4	8.4	9.6	10.5	26.0	27.0	128	59.8
44	44.3	1218	7.4	10.0	11.2	12.2	29.0	32.0	135	70.6
46	48.5	1334	8.5	11.5	13.0	14.0	33	37.0	145	81.5
48	52.8	1452	9.8	13.1	15.0	16.0	37	44.0	160	95.0
50	57.0	1568	11	15.0	17.0	18.0	41	57.0	212	115
52	62.0	1705	13	17.0	20.0	20.0	45	57.0	289	124
54	66.0	1815	14	19.0	22.0	20.0	50	67.0	295	141
56	71.0	1953	16	21.0	23.0	24.0	54	67.0	300	148
58	77.0	2118	17	23.0	25.0	28.0	65	80.0	310	168
60	83.0	2283	19	25.0	27.0	28.0	70	95.0	320	191
62	88.0	2420	21	28.0	30.0	33.0	76	95.0	330	202
64	94.0	2585	23	31.0	34.0	38.0	82	112.0	340	231
66	100.0	2750	25	34.0	38.0	38.0	94	130.0	350	261
68	107.0	2943	27	37.0	42.0	44.0	101	130.0	458	273
70	114.0	3135	30	40.0	45.0	44.0	108	152.0	472	307
73	124.0	3410	34	45.0	52.0	51.0	124	172.0	502	348
76	135.0	3713	39	50.0	59.0	58.0	141	194.0	522	392
78	142.0	3905	42	55.0	63.0	65.0	150	194.0	652	409
81	154.0	4235	46	61.0	70.0	74.0	171	220.0	815	458
84	166.0	4565	52	68.0	78.0	84.0	193	242.0	912	508
87	178.0	4895	58	75.0	86.0	94.0	218	270.0	1007	564
90	189.0	5198	64	82.0	95.0	105.0	243	300.0	1152	623
92	199.0	5473	68	88.0	100.0	105.0	256	325.0	1300	669
95	211.0	5803	75	98.0	112.0	115.0	290	350.0	1452	733
97	220.0	6050	80	102.0	120.0	135.0	305	350.0	1552	754
100	234.0	6435	88	112.0	130.0	150.0	335	385.0	1610	827
102	243.0	6683	93	120.0	138.0	150.0	350	420.0	1620	891
107	266.0	7315	109	140.0	158.0	175.0	410	495.0	1627	1042
111	287.0	7893	120	160.0	175.0	200.0	445	535.0	1812	1150
114	304.0	8360	130	173.0	193.0	225.0	475	570.0	1912	1239
117	317.0	8718	142	185.0	210.0	225.0	505	610.0	2022	1332
122	345.0	9488	160	210.0	235.0	267.0	550	650.0	2336	1465
127	375.0	10313	182	235.0	260.0	315.0	600	720.0	2636	1632
132	400.0	11000	205	260.0	305.0	370.0	675	760.0	2960	1790
137	436.0	11990	230	285.0	330.0	390.0	750	900.0	3309	2030
142	467.0	12843	255	325.0	375.0	450.0	900	1100.0	3685	2380
147	489.0	13723	280	395.0	410.0	505.0	1055	1200.0	4088	2680
152	535.0	14713	310	410.0	460.0	545.0	1200	1400.0	4520	2990
157	570.0	15675	345	455.0	510.0	605.0	1340	1550.0	4980	3315
162	610.0	16775	375	500.0	560.0	660.0	1450	1700.0	5470	3635



Strength – Stud Link Offshore Chain

Dia mm	R3		R3S		R4		R4S		R5	
	Proof Load	Break Load	Proof Load	Break Load	Proof Load	Break Load	Proof Load	Break Load	Proof Load	Break Load
54	1805	2580	2083	2881	2499	3170	2777	3517	2904	3703
56	1933	2764	2231	3086	2677	3396	2974	3768	3111	3966
58	2066	2953	2383	3297	2860	3628	3178	4025	3323	4237
60	2201	3147	2540	3514	3048	3867	3387	4290	3542	4516
62	2341	3347	2701	3737	3242	4112	3602	4562	3767	4802
64	2484	3551	2867	3965	3440	4364	3822	4841	3997	5096
66	2631	3761	3036	4200	3643	4621	4048	5127	4233	5397
68	2782	3976	3209	4440	3851	4885	4279	5420	4475	5706
70	2935	4196	3387	4685	4064	5156	4516	5720	4723	6021
73	3172	4535	3660	5064	4392	5572	4881	6182	5104	6507
76	3417	4884	3942	5454	4731	6001	5257	6658	5498	7009
78	3584	5123	4135	5720	4962	6295	5514	6984	5766	7351
81	3840	5490	4431	6130	5317	6745	5908	7484	6179	8777
84	4104	5866	4735	6550	5682	7208	6313	7997	6602	8418
87	4374	6252	5046	6981	6056	7682	6729	8523	7037	8971
90	4650	6647	5365	7422	6439	8167	7154	9062	7482	9539
92	4838	6916	5582	7722	6699	8497	7443	9428	7784	9924
95	5125	7326	5913	8180	7096	9001	7884	9987	8246	10512
97	5319	7604	6138	8490	7365	9343	8184	10366	8559	10911
100	5616	8028	6480	8964	7776	9864	8640	10944	9036	11520
102	5817	8315	6712	9285	8054	10217	8949	11336	9359	11932
105	6123	8753	7065	9773	8478	10754	9420	11932	9851	12560
107	6330	9048	7304	10103	8764	11118	9738	12335	10184	12984
111	6750	9650	7789	10775	9347	11856	10385	13154	10861	13847
114	7071	10109	8159	11287	9791	12420	10879	13780	11378	14506
117	7397	10574	8535	11807	10242	12993	11380	14415	11902	15174
120	7728	11047	8916	12334	10700	13573	11889	15059	12434	15852
122	7950	11365	9173	12690	11008	13964	12231	15493	12792	16308
124	8175	11686	9432	13048	11319	14358	12576	15930	13153	16768
127	8515	12171	9824	13591	11789	14955	13099	16592	13700	17466
130	8858	12663	10221	14139	12265	15559	13628	17262	14253	18171
132	9089	12993	10488	14508	12585	15965	13984	17713	14625	18645
137	9674	13829	11162	15441	13395	16992	14883	18852	15565	19844
142	10267	14677	11847	16388	14216	18033	15796	20008	16520	21061
147	10868	15536	12540	17347	15048	19089	16720	21179	17487	22294
152	11476	16405	13241	18317	15890	20156	17655	22363	18464	23540
157	12089	17282	13949	19297	16739	21234	18599	23559	19452	24799
162	12708	18166	14663	20284	17596	22320	19551	24764	20447	26068
165	13081	18699	15094	20879	18112	22976	20125	25491	21047	26833
168	13455	19234	15525	21477	18631	23633	20701	26221	21649	27601
171	13831	19771	15959	22076	19150	24292	21278	26952	22253	28371
175	14333	20488	16538	22877	19845	25174	22050	27930	23061	29400
178	14709	21027	16972	23479	20367	25836	22630	28665	23667	30173
180	14961	21387	17263	23880	20715	26278	23017	29155	24072	30689
185	15590	22286	17989	24884	21586	27838	23985	30381	25084	31980
188	15968	22825	18424	25487	22109	28046	24565	31116	25691	32754
191	16345	23364	18859	26089	22631	28708	25146	31851	26298	33527
194	16721	23903	19294	26690	23152	29369	25725	32585	26904	34300
197	17097	24440	19727	27290	23673	30029	26303	33317	27509	35071
200	17472	24976	20160	27888	24192	30688	26880	34048	28112	35840
205	18094	25866	20878	28881	25054	31781	27837	35261	29113	37116

Stud Link Ship Chain – Strength

Dia mm	Grade 1		Grade 2		Grade 3	
	Proof Load	Break Load	Proof Load	Break Load	Proof Load	Break Load
12.5	46	66	66	92	-	-
14	58	82	82	116	-	-
16	76	107	107	150	-	-
17.5	89	127	127	179	-	-
19	105	150	150	211	-	-
20.5	123	175	175	244	244	349
22	140	200	200	280	280	401
24	167	237	237	332	332	476
26	194	278	278	389	389	556
28	225	321	321	449	449	642
30	257	368	368	514	514	735
32	291	417	417	583	583	833
34	328	468	468	655	655	937
36	366	523	523	732	732	1050
38	406	581	581	812	812	1160
40	448	640	640	896	896	1280
42	492	703	703	981	981	1400
44	538	769	769	1080	1080	1540
46	585	837	837	1170	1170	1680
48	635	908	908	1270	1270	1810
50	686	981	981	1370	1370	1960
52	739	1060	1060	1480	1480	2110
54	794	1140	1140	1590	1590	2270
56	851	1220	1220	1710	1710	2430
58	909	1290	1290	1810	1810	2600
60	969	1380	1380	1940	1940	2770
62	1030	1470	1470	2060	2060	2940
64	1100	1560	1560	2190	2190	3130
66	1160	1660	1660	2310	2310	3300
68	1230	1750	1750	2450	2450	3500
70	1290	1840	1840	2580	2580	3690
73	1390	1990	1990	2790	2790	3990
76	1500	2150	2150	3010	3010	4300
78	1580	2260	2260	3160	3160	4500
81	1690	2410	2410	3380	3380	4820
84	1800	2580	2580	3610	3610	5160
87	1920	2750	2750	3850	3850	5500
90	2050	2920	2920	4090	4090	5840
92	2130	3040	3040	4260	4260	6080
95	2260	3230	3230	4510	4510	6440
97	2340	3340	3340	4680	4680	6690
100	2470	3530	3530	4940	4940	7060
102	2560	3660	3660	5120	5120	7320
105	2700	3850	3850	5390	5390	7700
107	2790	3980	3980	5570	5570	7960
111	2970	4250	4250	5940	5940	8480
114	3110	4440	4440	6230	6230	8890
117	3260	4650	4650	6510	6510	9300
120	3400	4850	4850	6810	6810	9720
122	3500	5000	5000	7000	7000	9990
124	3600	5140	5140	7200	7200	10280
127	3750	5350	5350	7490	7490	10710
130	3900	5570	5570	7800	7800	11140
132	4000	5720	5720	8000	8000	11420
137	4260	6080	6080	8510	8510	12160



Strength – Studless Chain

Studless Chain - Grades 2 & 3, ISO 1704

Dia	Pitch	Weight	Break Load		Treatment
			Grade 2	Grade 3	
mm	mm	Kg/m	kN	kN	-
13	45 × 18	3.5	98		Tarred / Galv
16	99 × 32	4.5	132.5	184.8	Tarred / Galv
19	119 × 34	6.3	187	260.6	Tarred / Galv
22	127 × 34	8.6	290	349.4	Tarred / Galv
24	96 × 36	11.5	298.9	415.8	Tarred / Galv
26	104 × 39	14	350.8	488	Tarred / Galv
28	112 × 42	16	405.9	566	Tarred / Galv
30	120 × 45	18.5	467.5	649.8	Tarred / Galv
32	128 × 48	20.5	530.9	739.3	Tarred / Galv
36	144 × 54	26.5	672.3	935.7	Tarred / Galv
40	160 × 60	32	829.1	1155.2	Tarred / Galv
50	200 × 75	52	1239.6	1805	Tarred / Galv
60	240 × 90	71	1857.6	2598	Tarred / Galv

According to industry standards, the break load of hot pit galvanized chain is reduced approximately 15%.

Studless Chain – Grade 70, DIN 763

Dia	Pitch	Weight	Break Load	Treatment
mm	mm	Kg/m	kN	-
10	60 × 20	1.75	91.2	Galvanized
13	81 × 22	2.9	184.95	Galvanized
16	100 × 26	4.3	279.98	Galvanized
19	100 × 28	6.5	395.01	Galvanized
22	120 × 32	8.5	529.95	Galvanized
25	140 × 41	11.2	684.99	Galvanized
28	150 × 37	14	860.04	Galvanized

Studless Offshore Chain – Strength

Dia mm	R3		R3S		R4		R4S		R5	
	Proof Load	Break Load	Proof Load	Break Load	Proof Load	Break Load	Proof Load	Break Load	Proof Load	Break Load
30	835	524	932	554	1026	584	1138	651	1198	719
32	946	594	1057	628	1163	662	1290	738	1358	815
34	1064	668	1188	706	1308	744	1451	830	1527	916
36	1188	746	1327	789	1460	831	1620	927	1705	1023
38	1319	828	1473	875	1621	923	1798	1029	1893	1136
40	1456	914	1625	966	1789	1018	1985	1136	2089	1253
42	1599	1004	1785	1061	1964	1118	2179	1247	2294	1376
44	1748	1097	1951	1160	2147	1223	2382	1364	2508	1505
46	1903	1194	2124	1263	2338	1331	2594	1485	2730	1638
48	2063	1295	2304	1369	2535	1443	2813	1610	2961	1777
50	2230	1400	2490	1480	2740	1560	3040	1740	3200	1920
52	2402	1508	2682	1594	2952	1681	3275	1874	3447	2068
54	2580	1620	2881	1712	3170	1805	3517	2013	3703	2222
56	2764	1735	3086	1834	3396	1933	3768	2156	3966	2380
58	2953	1854	3297	1960	3628	2066	4025	2304	4237	2542
60	3147	1976	3514	2089	3867	2201	4290	2455	4516	2710
62	3347	2101	3737	2221	4112	2341	4562	2611	4802	2881
64	3551	2230	3965	2357	4364	2484	4841	2771	5096	3058
66	3761	2361	4200	2496	4621	2631	5127	2935	5397	3238
68	3976	2496	4440	2639	4885	2782	5420	3102	5706	3423
70	4196	2634	4685	2785	5156	2935	5720	3274	6021	3613
73	4535	2847	5064	3010	5572	3172	6182	3538	6507	3904
76	4884	3066	5454	3242	6001	3417	6658	3811	7009	4205
78	5123	3216	5720	3400	6295	3584	6984	3997	7351	4411
81	5490	3446	6130	3643	6745	3840	7484	4283	7877	4726
84	5866	3683	6550	3893	7208	4104	7997	4577	8418	5051
87	6252	3925	6981	4149	7682	4374	8523	4878	8971	5383
90	6647	4173	7422	4412	8167	4650	9062	5187	9539	5723
92	6916	4342	7722	4590	8497	4838	9428	5396	9924	5954
95	7326	4599	8180	4862	9001	5125	9987	5716	10512	6307
97	7604	4774	8490	5047	9343	5319	10366	5933	10911	6547
100	8028	5040	8964	5328	9864	5616	10944	6264	11520	6912
102	8315	5220	9285	5519	10217	5817	11336	6488	11932	7159
105	8753	5495	9773	5809	10754	6123	11932	6829	12560	7536
107	9048	5681	10103	6005	11118	6330	12335	7060	12984	7790
111	9650	6058	10775	6404	11856	6750	13154	7529	13847	8308
114	10109	6346	11287	6709	12420	7071	13780	7887	14506	8703
117	10574	6639	11807	7018	12993	7397	14415	8251	15174	9104
120	11047	6935	12334	7331	13573	7728	15059	8619	15852	9511
122	11365	7135	12690	7542	13964	7950	15493	8868	16308	9785
124	11686	7336	13048	7755	14358	8175	15930	9118	16768	10061
127	12171	7641	13591	8078	14955	8515	16592	9497	17466	10479
130	12663	7950	14139	8404	15559	8858	17262	9880	18171	10903
132	12993	8157	14508	8623	15965	9089	17713	10138	18645	11187
137	13829	8682	15441	9178	16992	9674	18852	10790	19844	11906
142	14677	9214	16388	9741	18033	10267	20008	11452	21061	12637
147	15536	9753	17347	10311	19089	10868	21179	12122	22294	13376
152	16405	10299	18317	10887	20156	11476	22363	12800	23540	14124
157	17282	10850	19297	11469	21234	12089	23559	13484	24799	14879
162	18166	11405	20284	12056	22320	12708	24764	14174	26068	15641
167	19056	11963	21278	12647	23414	13330	25977	14869	27345	16407
172	19950	12525	22276	13240	24513	13956	27196	15566	28628	17177
177	20847	13088	23278	13836	25615	14584	28420	16267	29915	17949
180	21387	13427	23880	14194	26278	14961	29155	16687	30689	18414



Equipment Table – Anchor Chain

Number	LR	ARS	DNV	Kgs / Anchor	HHP	Total Chain	Ø Grade 1	Ø Grade 2	Ø Grade 3
50 – 69	A	U1	a	180	135	220	14	12.5	-
70 – 89	B	U2	b	240	180	220	16	14	-
90 – 109	C	U3	c	300	225	247.5	17.5	16	-
110 – 129	D	U4	d	360	270	247.5	19	17.5	-
130 – 149	E	U5	e	420	315	275	20.5	17.5	-
150 – 174	F	U6	f	480	360	275	22	19	-
175 – 204	G	U7	g	570	430	302.5	24	20.5	-
205 – 239	H	U8	h	660	495	302.5	26	22	20.5
240 – 279	I	U9	i	780	585	330	28	24	22
280 – 319	J	U10	j	900	675	357.5	30	26	24
320 – 359	K	U11	k	1020	765	357.5	32	28	24
360 – 399	L	U12	l	1140	855	385	34	30	26
400 – 449	M	U13	m	1290	970	385	36	32	28
450 – 499	N	U14	n	1440	1080	412.5	38	34	30
500 – 549	O	U15	o	1590	1195	412.5	40	34	30
550 – 599	P	U16	p	1740	1305	440	42	36	32
600 – 659	Q	U17	q	1920	1440	440	44	38	34
660 – 719	R	U18	r	2100	1575	440	46	40	36
720 – 779	S	U19	s	2280	1710	467.5	48	42	36
780 – 839	T	U20	t	2460	1845	467.5	50	44	38
840 – 909	U	U21	u	2640	1980	467.5	52	46	40
910 – 979	V	U22	v	2850	2140	495	54	48	42
980 – 1059	W	U23	w	3060	2295	495	56	50	44
1060 – 1139	X	U24	x	3300	2475	495	58	50	46
1140 – 1219	Y	U25	y	3540	2655	522.5	60	52	46
1220 – 1299	Z	U26	z	3780	2835	522.5	62	54	48
1300 – 1389	A+	U27	A	4050	3040	522.5	64	56	50
1390 – 1479	B+	U28	B	4320	3240	550	66	58	50
1480 – 1569	C+	U29	C	4590	3445	550	68	60	52
1570 – 1669	D+	U30	D	4890	3670	550	70	62	54
1670 – 1789	E+	U31	E	5250	3940	577.5	73	64	56
1790 – 1929	F+	U32	F	5610	4210	577.5	76	66	58
1930 – 2079	G+	U33	G	6000	4500	577.5	78	68	60
2080 – 2229	H+	U34	H	6450	4840	605	81	70	62
2230 – 2379	I+	U35	I	6900	5175	605	84	73	64
2380 – 2529	J+	U36	J	7350	5515	605	87	76	66
2530 – 2699	K+	U37	K	7800	5850	632.5	90	78	68
2700 – 2869	L+	U38	L	8300	6225	632.5	92	81	70
2870 – 3039	M+	U39	M	8700	6525	632.5	95	84	73
3040 – 3209	N+	U40	N	9300	6975	660	97	84	76
3210 – 3399	O+	U41	O	9900	7425	660	100	87	78
3400 – 3599	P+	U42	P	10500	7875	660	102	90	78
3600 – 3799	Q+	U43	Q	11100	8325	687.5	105	92	81
3800 – 3999	R+	U44	R	11700	8775	687.5	107	95	84
4000 – 4199	S+	U45	S	12300	9225	687.5	111	97	87
4200 – 4399	T+	U46	T	12900	9675	715	114	100	87
4400 – 4599	U+	U47	U	13500	10125	715	117	102	90
4600 – 4799	V+	U48	V	14100	10575	715	120	105	92
4800 – 4999	W+	U49	W	14700	11025	742.5	122	107	95
5000 – 5199	X+	U50	X	15400	11550	742.5	124	111	97
5200 – 5499	Y+	U51	Y	16100	12075	742.5	127	111	97
5500 – 5799	Z+	U52	Z	16900	12675	742.5	130	114	100
5800 – 6099	A*	U53	A*	17800	13350	742.5	132	117	102
6100 – 6499	B*	U54	B*	18800	14100	742.5	137	120	107
6500 – 6899	C*	U55	C*	20000	15000	770	-	124	111
6900 – 7399	D*	U56	D*	21500	16125	770	-	127	114
7400 – 7899	E*	U57	E*	23000	17250	770	-	132	117
7900 – 8399	F*	U58	F*	24500	18375	770	-	137	122
8400 – 8899	G*	U59	G*	26000	19500	770	-	142	127
8900 – 9399	H*	U60	H*	27500	20625	770	-	147	132
9400 – 10000	I*	U61	I*	29000	21750	770	-	152	132

Chain Locker – Standard Volume

Dia	Volume	Dia	Volume
mm	m ³	mm	m ³
12.5	0.17	87	8.33
14	0.22	90	8.91
16	0.28	92	9.31
17.5	0.34	95	9.93
19	0.40	97	10.35
20.5	0.46	100	11.00
22	0.53	102	11.45
24	0.64	107	12.60
26	0.75	111	13.56
28	0.86	114	14.30
30	1.00	117	15.06
32	1.13	120	15.84
34	1.27	122	16.37
36	1.43	124	16.92
38	1.59	127	17.74
40	1.76	130	18.59
42	1.94	132	19.17
44	2.13	137	20.65
46	2.33	142	22.18
48	2.54	147	23.77
50	2.75	152	25.42
52	2.98	157	27.12
54	3.21	162	28.87
56	3.45	165	29.95
58	3.70	168	31.05
60	3.96	171	32.17
62	4.23	175	33.69
64	4.51	178	34.86
66	4.79	180	35.64
68	05.09	185	37.65
70	5.39	188	38.88
73	5.86	191	40.13
76	6.36	194	41.40
78	6.70	197	42.69
81	7.22	200	44.00
84	7.76	205	46.23

Standard Volume per 100 m of chain, as calculated using DNV's formula:

$$S (m^3) = 1,1 \cdot D^2 \cdot \frac{L}{2} \cdot 10^{-5}$$

S = Storage Volume

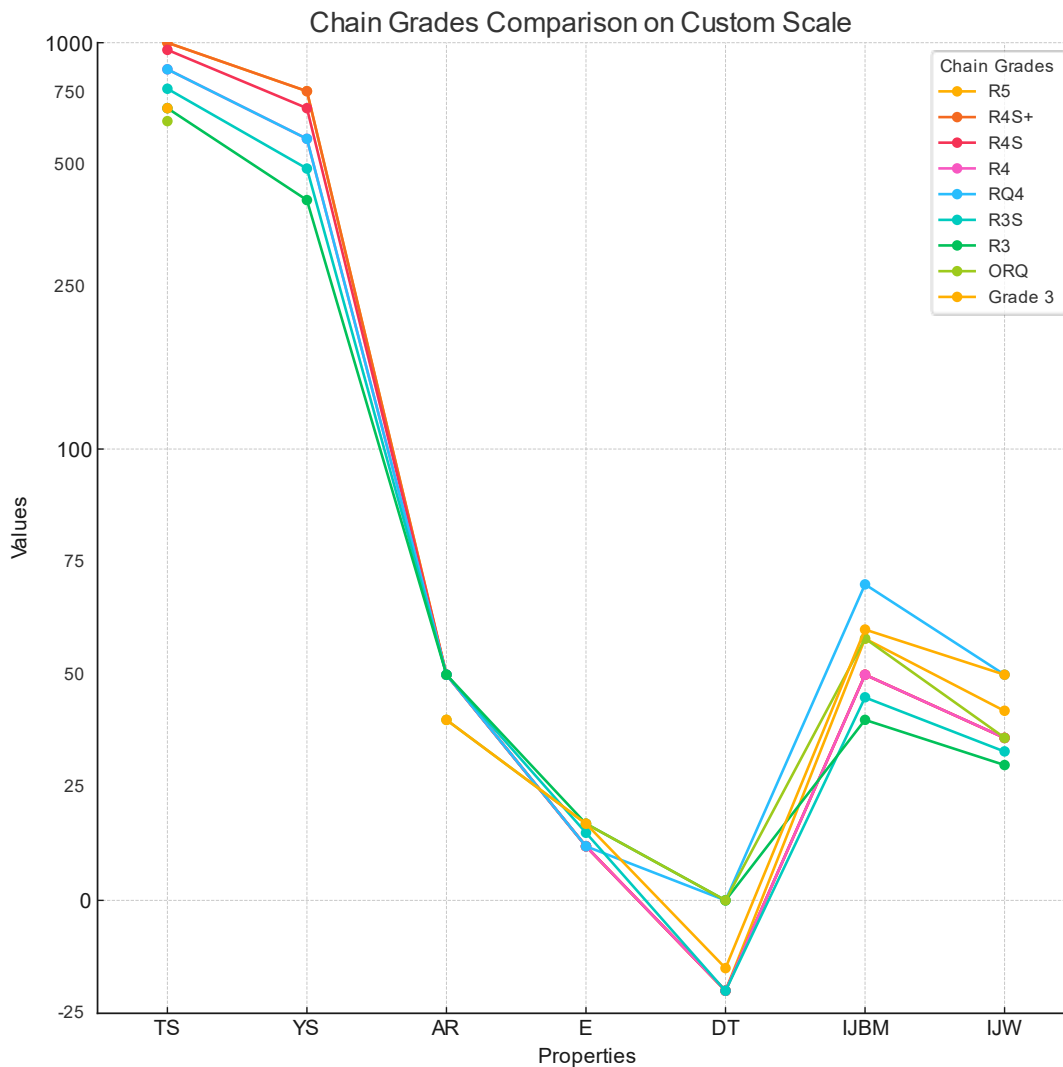
D = Chain Diameter

L = Chain Length

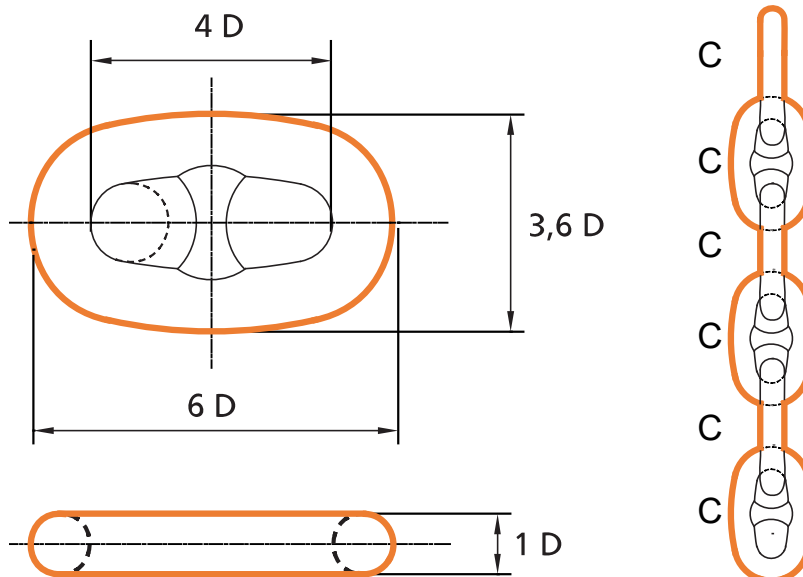


Mechanical Properties – Chain

	R5	R4S+	R4S	R4	RQ4	R3S	R3	ORQ	Grade 3
Tensile Strength (mpa)	1000	1000	960	860	860	770	690	641	690
Yield Strength (Mpa)	760	760	690	580	580	490	410	-	-
% Area Reduction	50	50	50	50	50	50	50	40	40
Elongation % min.	12	12	12	12	12	15	17	17	17
Design temperature °C	-20	-20	-20	-20	0	-20	0	0	-15
Impact Joules – Base material	58	50	50	50	70	45 - 65	40 - 60	58 - 40	60
Impact Joules – Weld	42	36	36	36	50	33 - 50	30 - 49	36 - 40	50



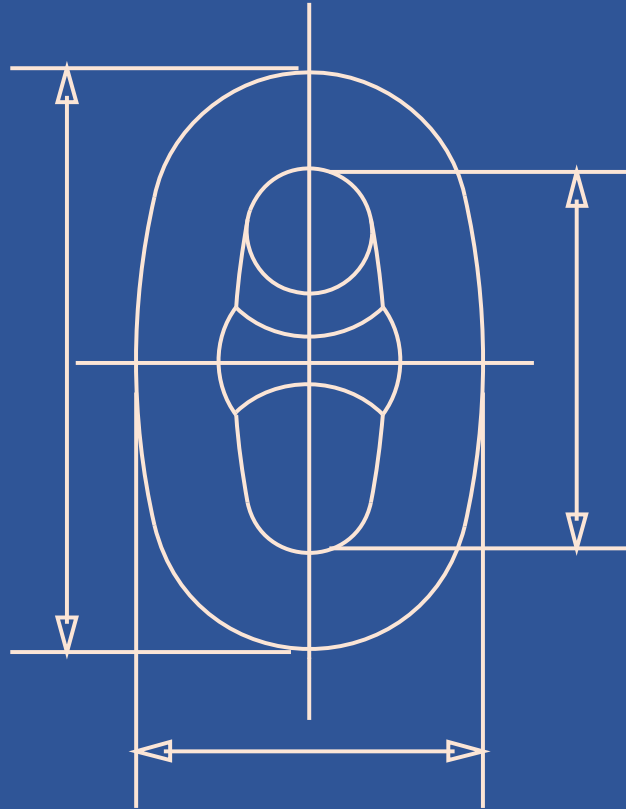
Common Link – Wear Limits



Original Dia	Wear Dia
mm	12% Wear
12.50	11.00
14.00	12.32
16.00	14.08
17.50	15.40
19.00	16.72
20.50	18.04
22.00	19.36
24.00	21.12
26.00	22.88
28.00	26.64
30.00	26.40
32.00	28.16
34.00	29.92
36.00	31.68
38.00	33.44
40.00	35.20
42.00	36.96
44.00	38.72
46.00	40.48
48.00	42.24
50.00	44.00
52.00	45.76
54.00	47.52
56.00	49.28
58.00	51.04
60.00	52.80
62.00	54.56

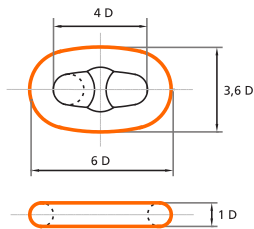
Original Dia	Wear Dia
mm	12% Wear
64.00	56.32
66.00	58.08
68.00	59.84
70.00	61.60
73.00	64.24
76.00	66.88
78.00	68.64
81.00	71.28
84.00	73.92
87.00	76.56
90.00	79.20
92.00	80.96
95.00	83.60
97.00	85.36
98.00	86.24
100.00	88.00
102.00	89.76
105.00	92.40
107.00	94.16
108.00	95.04
111.00	97.68
114.00	100.32
117.00	102.96
120.00	105.60
122.00	107.36
124.00	109.12

Chain Links

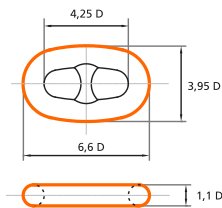


Anchor Chain – Main Components

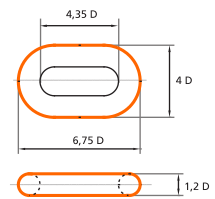
Common Link



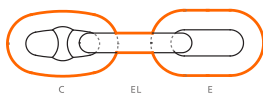
Enlarged Link



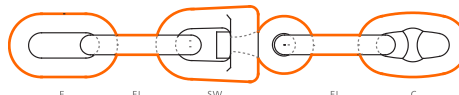
End Link



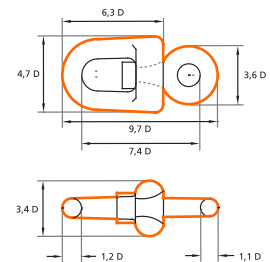
Normal Adaptor



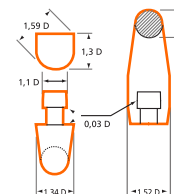
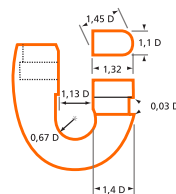
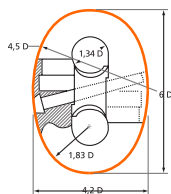
Swivel Forerunner



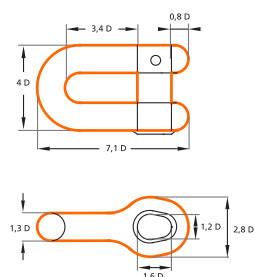
Swivel



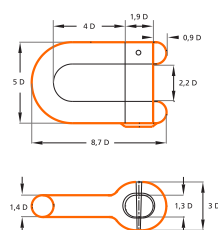
Kenter Joining Shackle



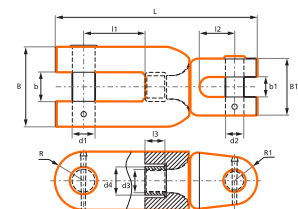
Joining Shackle Type D



Anchor Shackle Type D



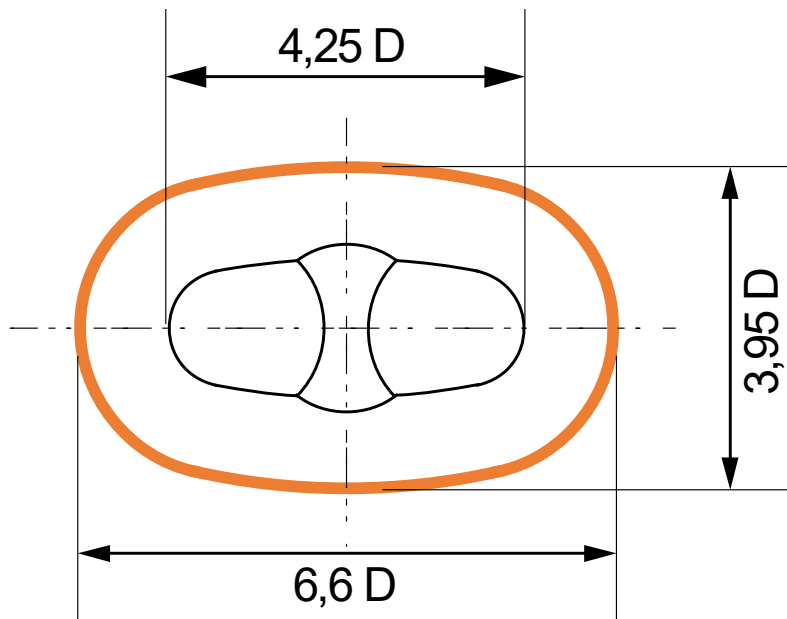
Swivel Shackle Type A



Weight unit is Kilograms. All measurements in mm. Measurements, weights, and drawings, are based on industry standards. Deviation margins need to be taken in mind, this is your own responsibility and not from Castle Hills AS.

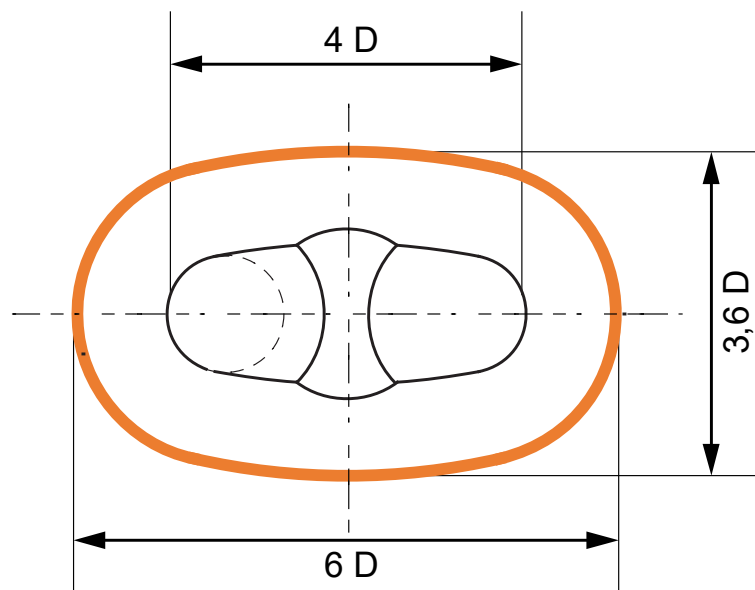


Enlarged Link – Anchor Chain



Weight unit is Kilograms. All measurements in mm. Measurements, weights, and drawings, are based on industry standards. Deviation margins need to be taken in mind, this is your own responsibility and not from Castle Hills AS.

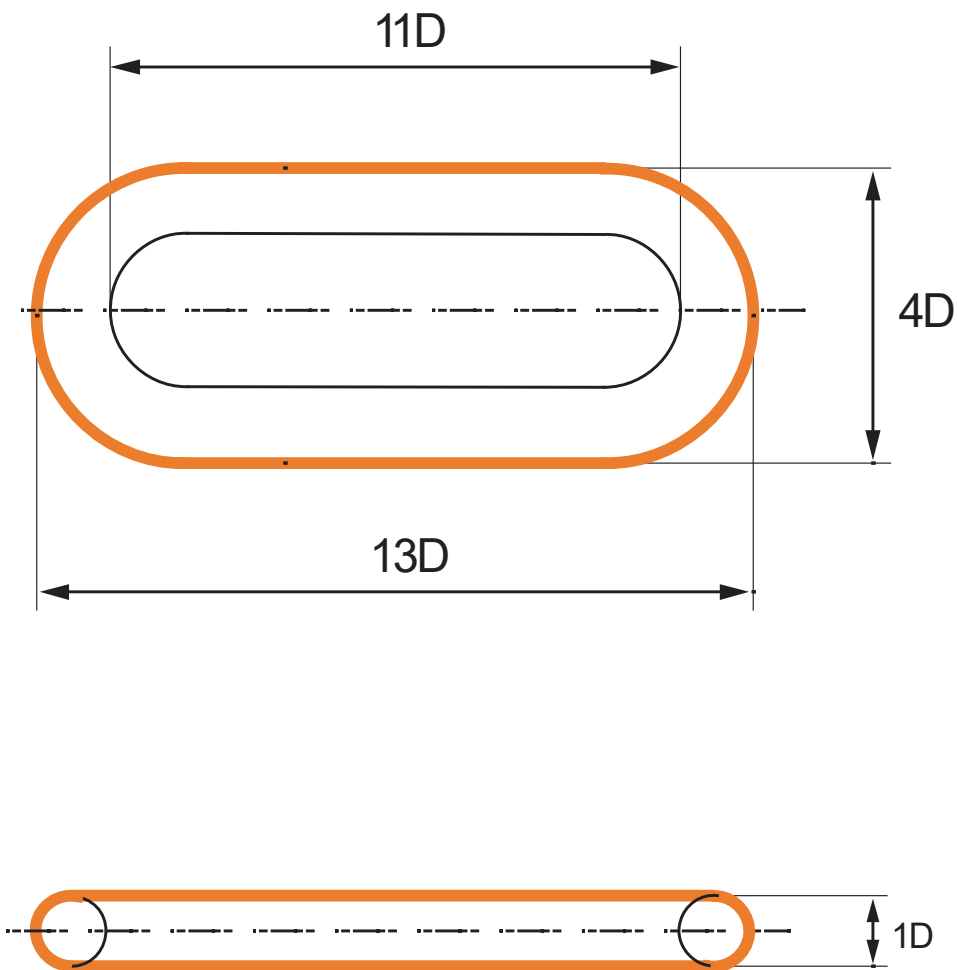
Anchor Chain – Common Link



Weight unit is Kilograms. All measurements in mm. Measurements, weights, and drawings, are based on industry standards. Deviation margins need to be taken in mind, this is your own responsibility and not from Castle Hills AS.

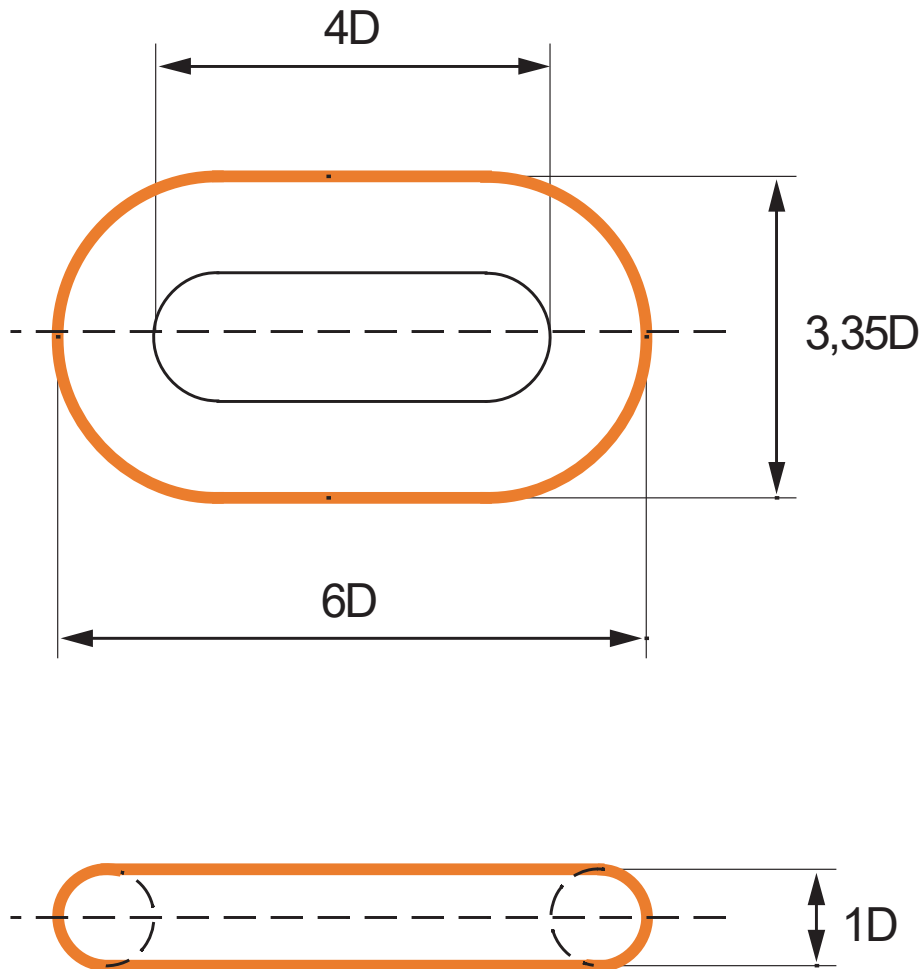


Studless Link – Din 763



Weight unit is Kilograms. All measurements in mm. Measurements, weights, and drawings, are based on industry standards. Deviation margins need to be taken in mind, this is your own responsibility and not from Castle Hills AS.

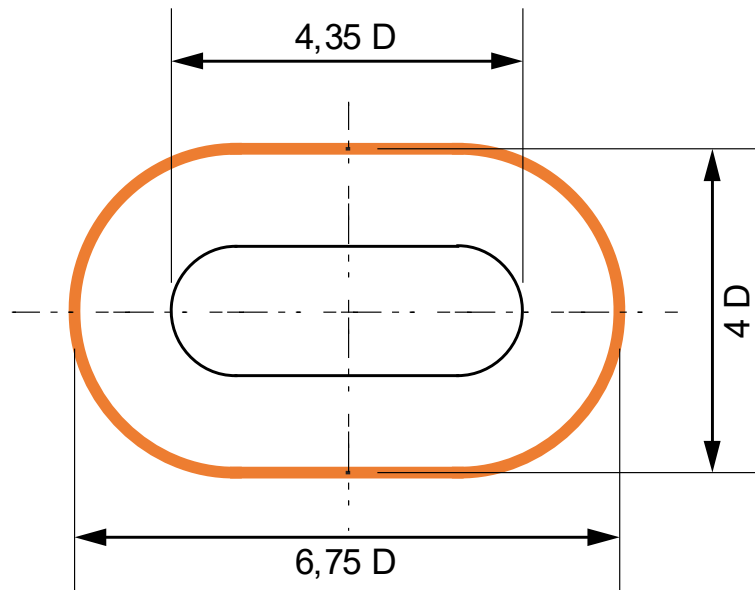
Anchor Chain – Studless Link



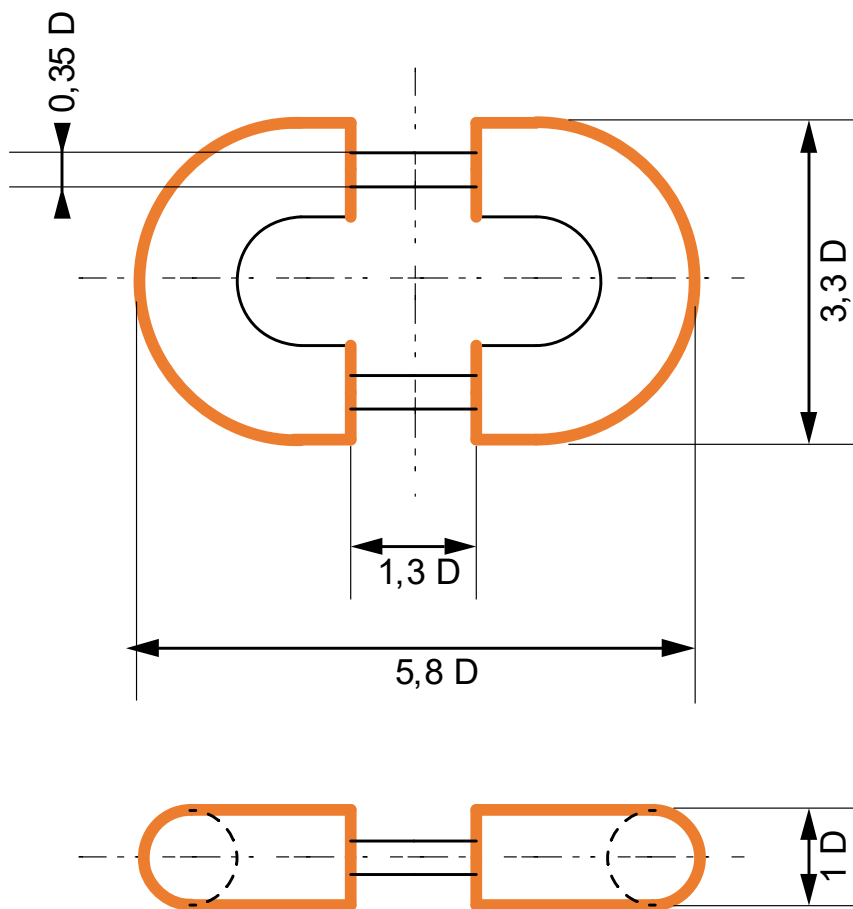
Weight unit is Kilograms. All measurements in mm. Measurements, weights, and drawings, are based on industry standards. Deviation margins need to be taken in mind, this is your own responsibility and not from Castle Hills AS.



End Link – Anchor Chain

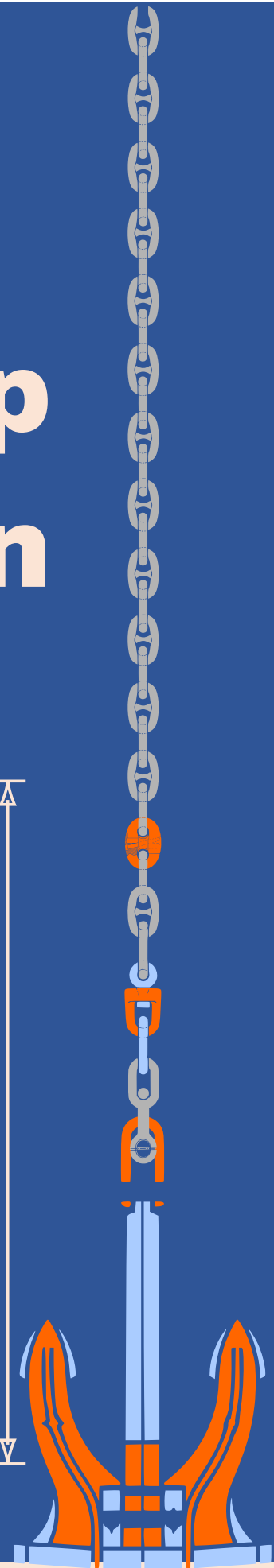
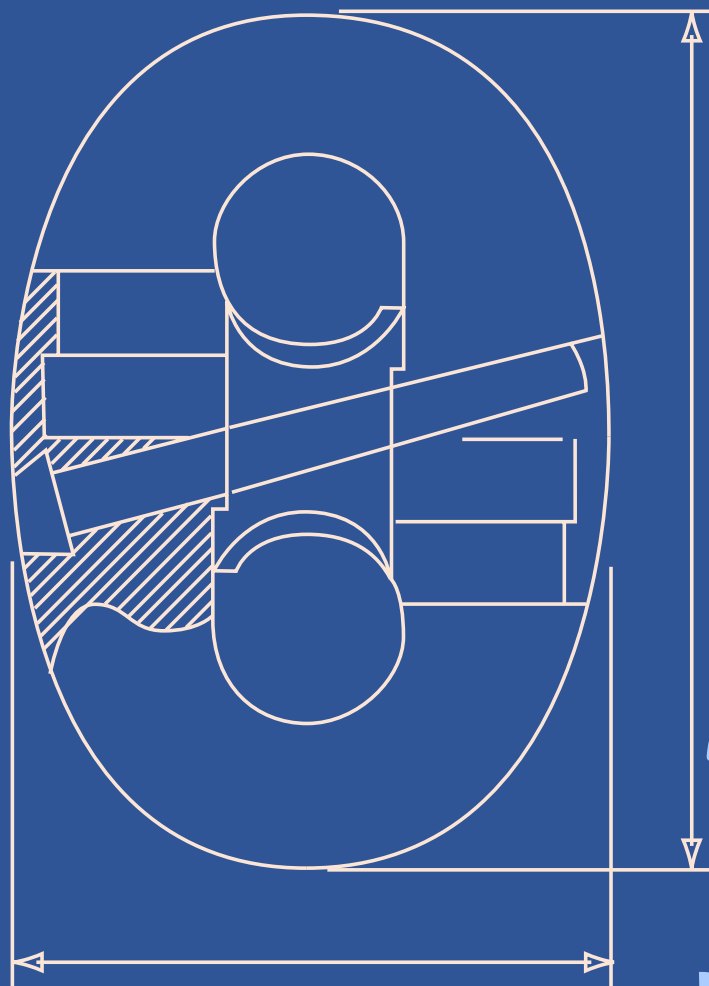


Weight unit is Kilograms. All measurements in mm. Measurements, weights, and drawings, are based on industry standards. Deviation margins need to be taken in mind, this is your own responsibility and not from Castle Hills AS.

Anchor Chain – **Weak Link**

Weight unit is Kilograms. All measurements in mm. Measurements, weights, and drawings, are based on industry standards. Deviation margins need to be taken in mind, this is your own responsibility and not from Castle Hills AS.

Ship Chain

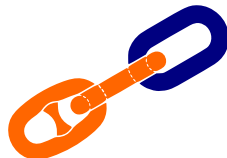


Ship Chain

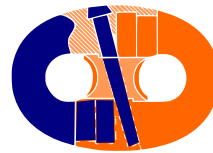
Chain



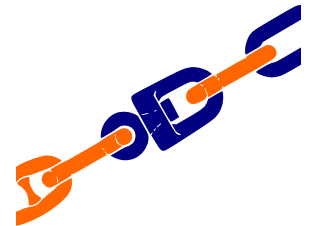
Adaptor



Shackle



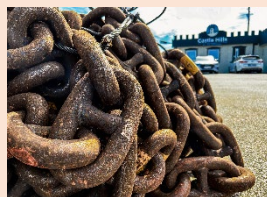
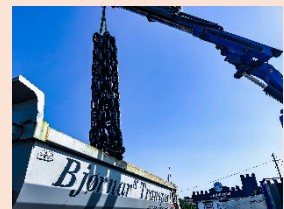
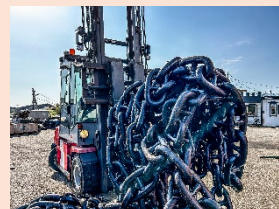
Swivel



Ship Chain is available in Grade 1, 2 & 3. Each grade suits different requirements and needs. For ships we can deliver the complete anchor chain, or single components such as shackles, swivels, or anything needed.

Buy or Rent

Large stock of Ship Chain for Sale in Norway and Worldwide. We both have stud link chain and accessories such as shackles.



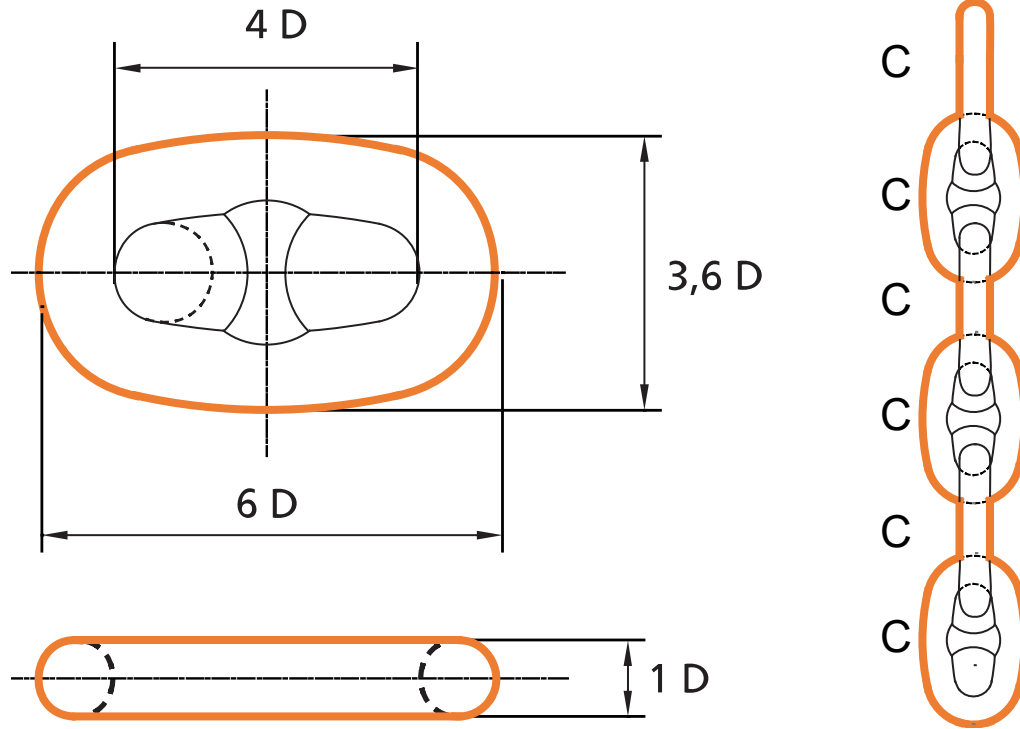
Second Hand

We have hundreds of tonnes of second hand ship chain.

Weight unit is Kilograms. All measurements in mm. Measurements, weights, and drawings, are based on industry standards. Deviation margins need to be taken in mind, this is your own responsibility and not from Castle Hills AS.



Studlink – Ship Chain



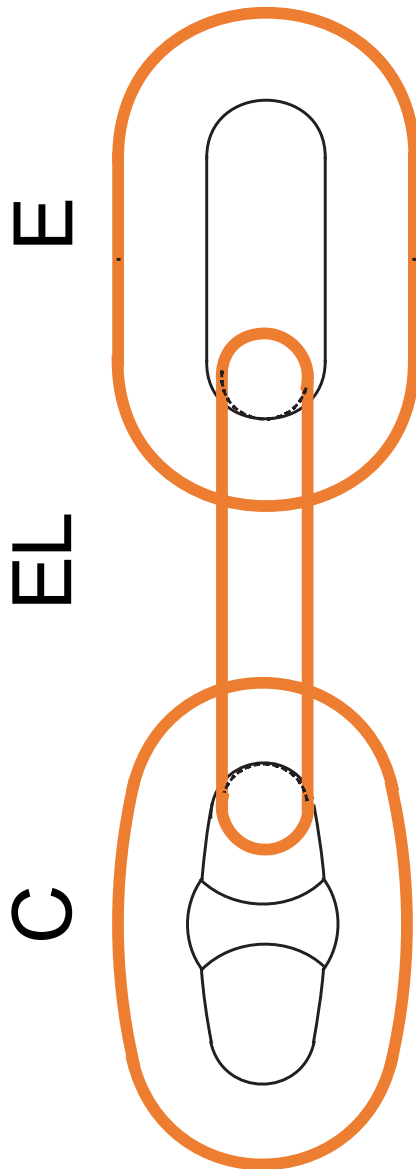
Dia mm	Kg / m	Kg / Link	Kg / 27.5m
12.5	3.5	0.17	96
14	4.4	0.24	121
16	5.8	0.36	160
17.5	7.0	0.47	193
19	8	0.7	96
20.5	9	0.8	121
22	11	1	160
24	13	1	193
26	15	2	223
28	17	2	275
30	20	3	305
32	22	3	366
34	25	4	432
36	28	4	503
38	32	5	578
40	35	6	657
42	39	7	743
44	42	8	831
46	46	9	927
48	50	11	1020
50	55	12	1114

Dia mm	Kg / m	Kg / Link	Kg / 27.5m
52	59	14	1218
54	64	15	1334
56	69	17	1452
58	74	19	1568
60	79	21	1705
62	84	23	1815
64	90	25	1953
66	95	28	2118
68	101	30	2283
70	107	33	2420
73	117	37	2585
76	126	42	2750
78	133	46	2943
81	144	51	3135
84	155	57	3410
87	166	63	3713
90	177	70	3905
92	185	75	4235
95	198	83	4565
97	206	88	4895
100	219	96	5198

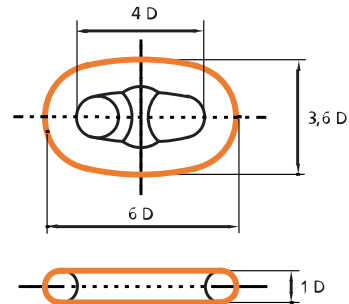
Dia mm	Kg / m	Kg / Link	Kg / 27.5m
102	228	102	5473
105	241	112	5803
107	251	118	6050
111	270	132	6435
114	285	143	6683
117	300	154	7315
120	315	167	7893
122	326	175	8360
124	337	184	8718
127	353	197	9488
130	370	212	10313
132	382	222	11000
137	411	248	11990
142	442	276	12843
147	473	306	13723
152	506	338	14713
157	540	373	15675
162	575	410	16775
165	596	433	17753
168	618	457	17823
171	640	482	18798
175	671	516	20124

Weight unit is Kilograms. All measurements in mm. Measurements, weights, and drawings, are based on industry standards. Deviation margins need to be taken in mind, this is your own responsibility and not from Castle Hills AS.

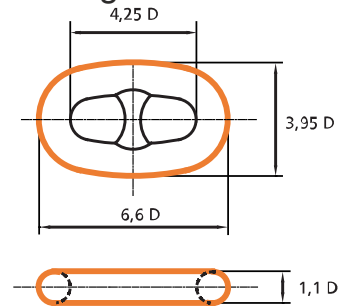
Ship Chain – 3 Link Adaptor



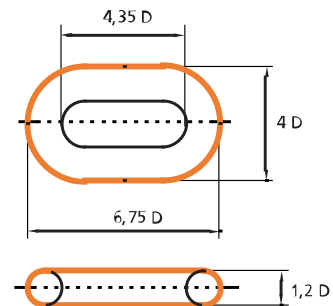
Common Link



Enlarged Link



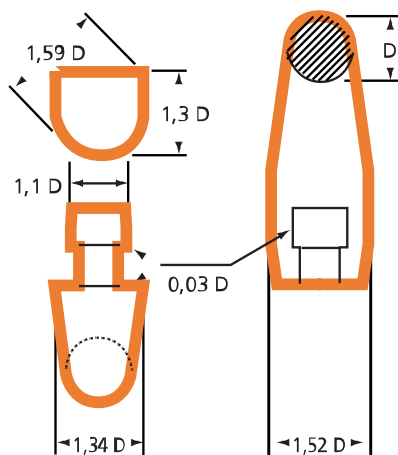
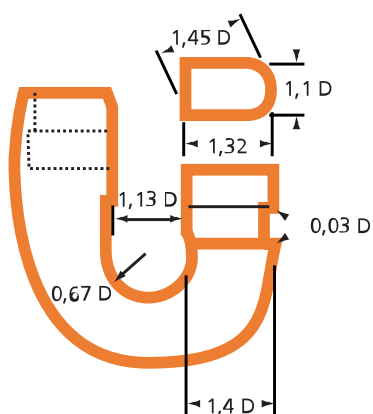
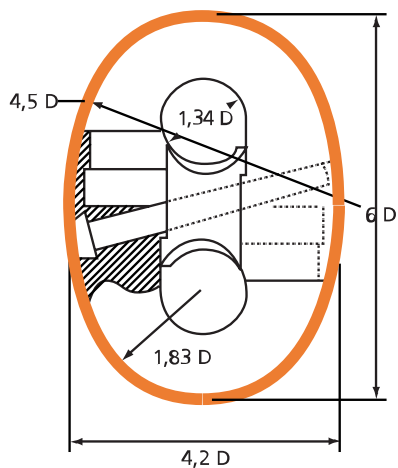
End Link



Weight unit is Kilograms. All measurements in mm. Measurements, weights, and drawings, are based on industry standards. Deviation margins need to be taken in mind, this is your own responsibility and not from Castle Hills AS.

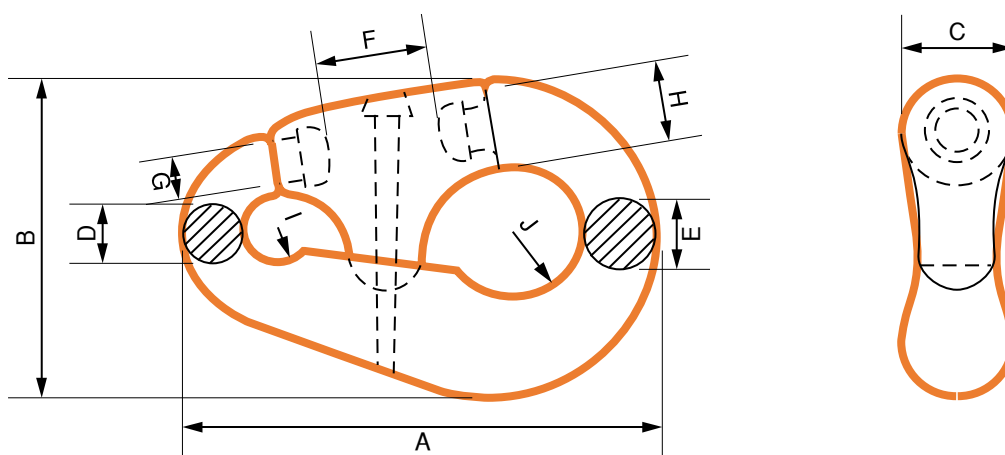


Kenter Joining Shackle – Ship Shackle



Weight unit is Kilograms. All measurements in mm. Measurements, weights, and drawings, are based on industry standards. Deviation margins need to be taken in mind, this is your own responsibility and not from Castle Hills AS.

Ship Shackle – Pear Shackle



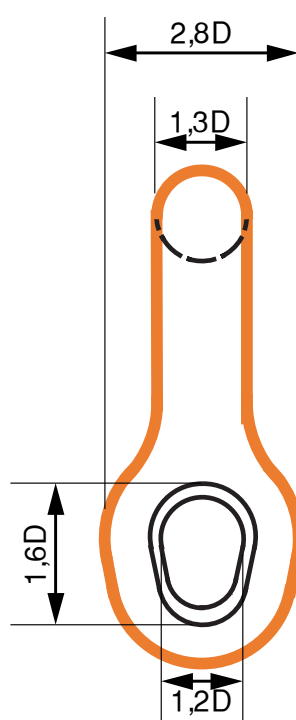
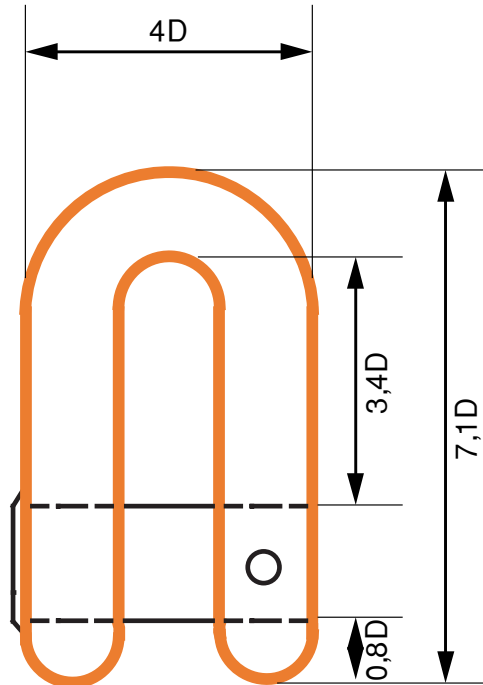
Number	A	B	C	D	E	F	G	H	I	J
2	199	136	39	26	33	58	26	39	17	30
3	245	172	47	31	40	66	37	45	19	35
4	302	206	63	41	49	83	42	58	26	43
5	381	263	77	52	68	100	58	74	32	52
6	462	315	94	62	81	113	64	90	38	65
7	568	379	121	81	97	153	84	116	48	76
8	658	422	139	96	135	155	112	135	54	79
9	700	440	148	98	130	159	124	148	57	89
10	900	580	194	122	168	194	130	181	73	108

Number	Chain \varnothing	PL Grade 3	MBL Grade 3	PL R3	MBL R3	PL R4	MBL R4	Weight
2	19-24	34000	48500	-	-	-	-	30
3	25-30	53000	75700	585000	835000	-	-	35
4	32-40	91367	130524	1019000	1456000	143882	182427	43
5	42-51	145513	207512	1620000	2316000	228722	290211	52
6	52-60	197825	282461	2202000	3147000	310911	394324	65
7	62-79	329674	469987	3669000	5244000	518016	657105	76
8	81-92	434399	619987	-	-	683108	866555	79
9	94-95	459892	656697	-	-	723590	917948	89
10	97-102	522095	746432	-	-	821381	1041844	108

Weight unit is Kilograms. All measurements in mm. Measurements, weights, and drawings, are based on industry standards. Deviation margins need to be taken in mind, this is your own responsibility and not from Castle Hills AS.

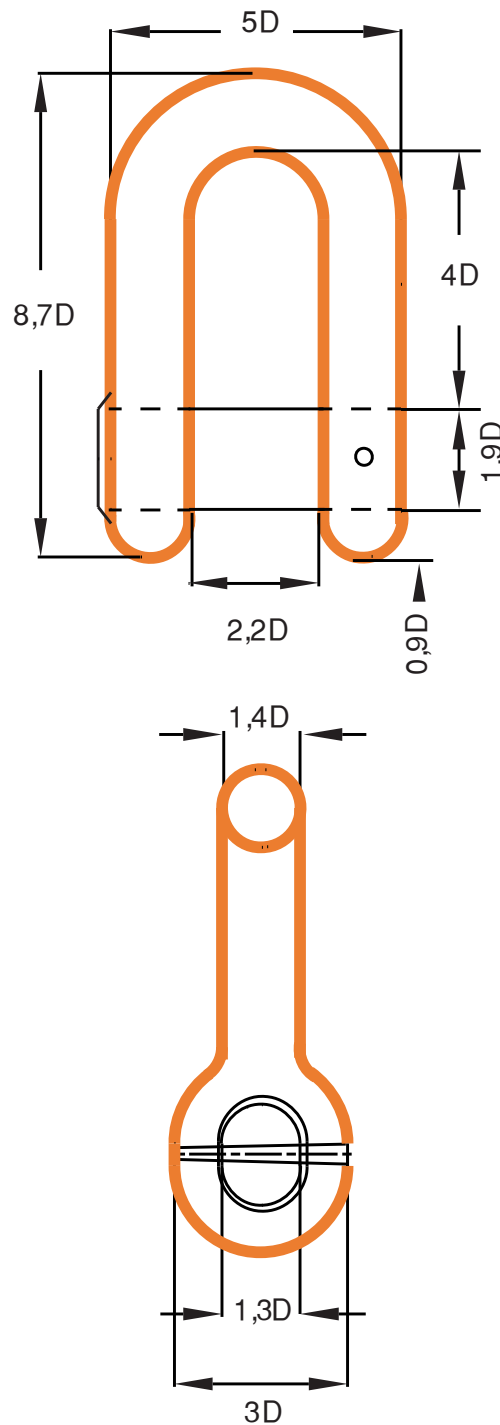


Joining Shackle Type D – Ship Shackle



Weight unit is Kilograms. All measurements in mm. Measurements, weights, and drawings, are based on industry standards. Deviation margins need to be taken in mind, this is your own responsibility and not from Castle Hills AS.

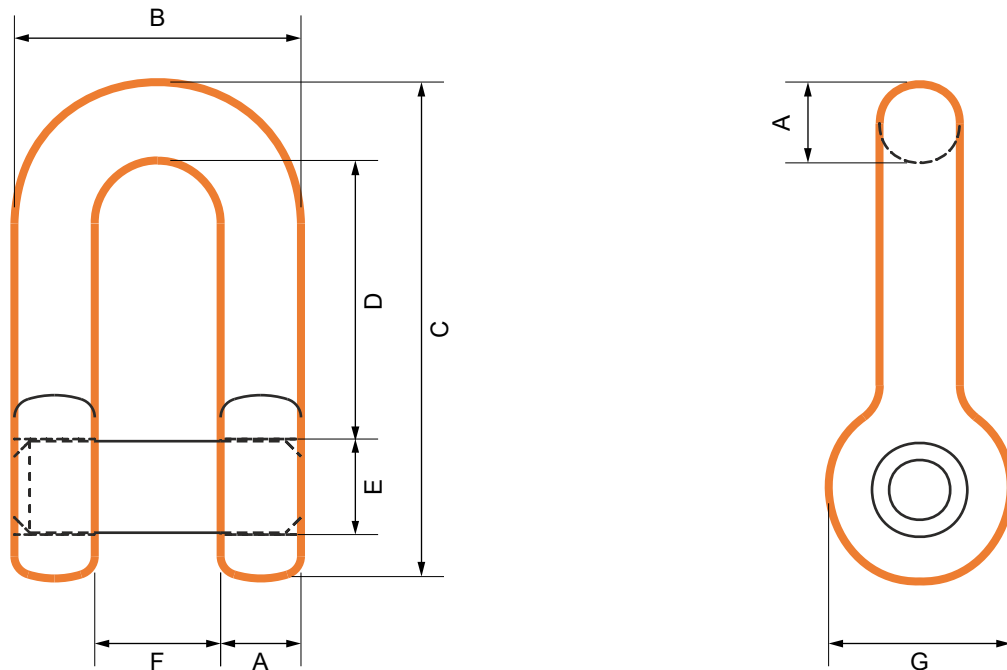
Ship Shackle – Anchor Shackle Type D



Weight unit is Kilograms. All measurements in mm. Measurements, weights, and drawings, are based on industry standards. Deviation margins need to be taken in mind, this is your own responsibility and not from Castle Hills AS.



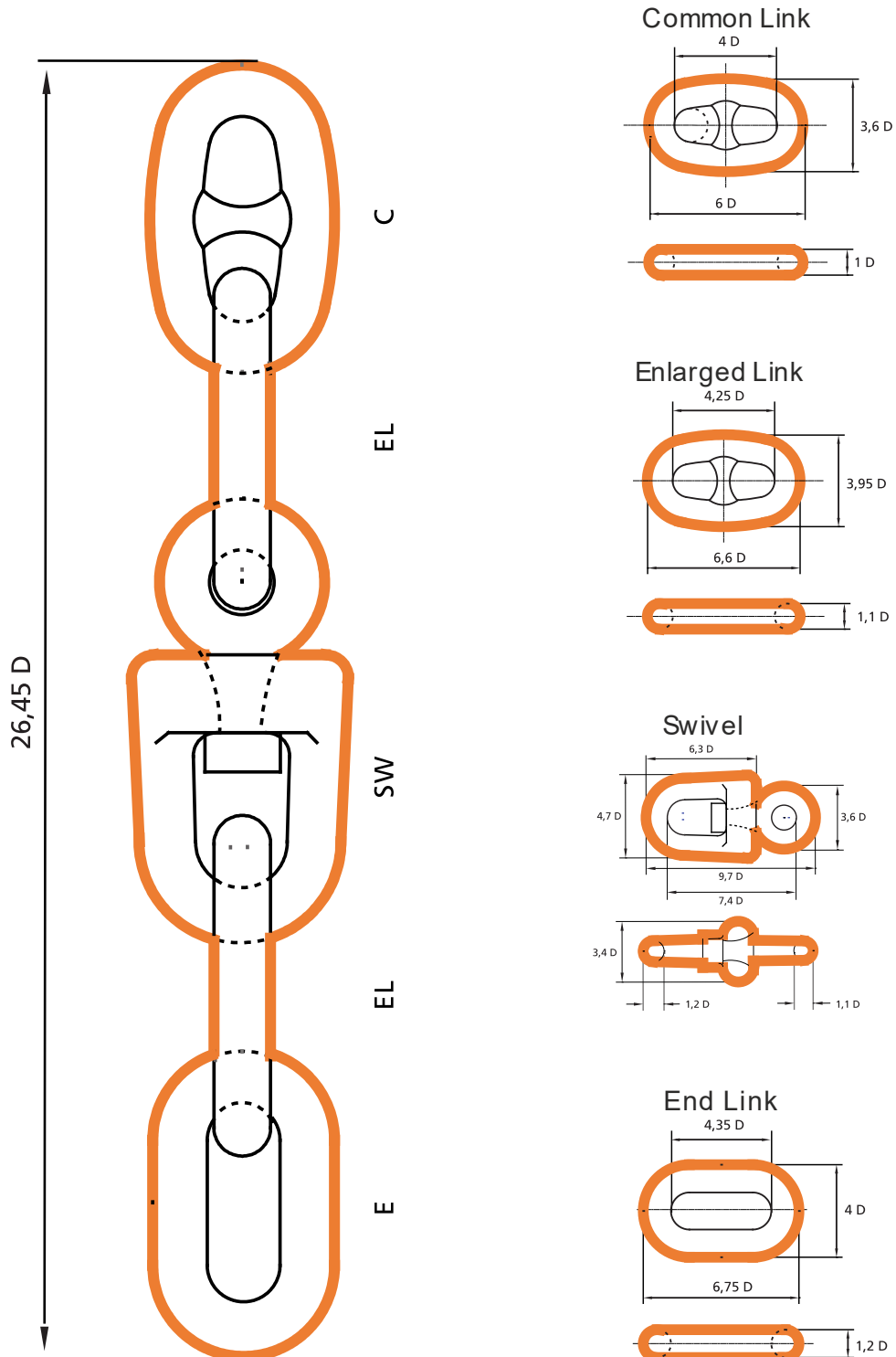
Crown Pin Shackle – Ship Shackle



Weight	A	B	C	D	E	F	G
11	44	154	263	147	48	66	96
14	49	171	285	158	52	73	104
21	55	191	330	185	60	81	120
30	61	212	374	211	68	90	136
36	67	234	396	221	72	100	144
49	74	258	440	246	80	110	160
75	75	275	486	276	90	125	180
100	90	316	545	307	100	140	200
130	100	347	600	339	110	155	230
180	110	395	684	385	125	175	250
260	125	450	765	430	140	200	280
335	140	490	843	475	150	210	305
413	150	520	920	525	160	220	330
500	160	555	975	560	170	235	340
601	170	590	1045	610	180	250	350
716	180	630	1115	650	190	270	380
839	190	660	1183	690	200	280	405

Weight unit is Kilograms. All measurements in mm. Measurements, weights, and drawings, are based on industry standards. Deviation margins need to be taken in mind, this is your own responsibility and not from Castle Hills AS.

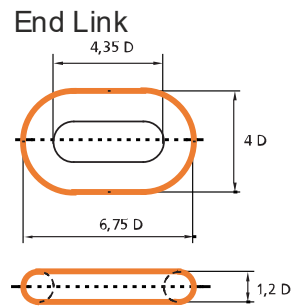
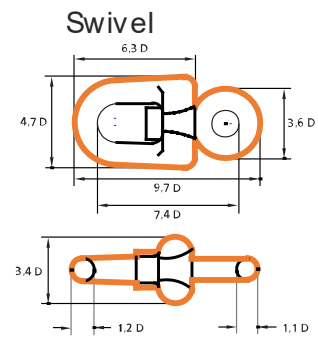
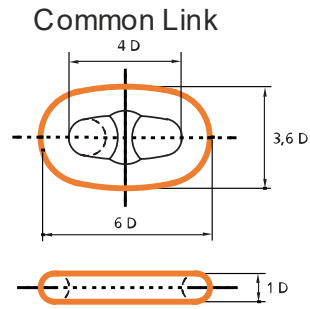
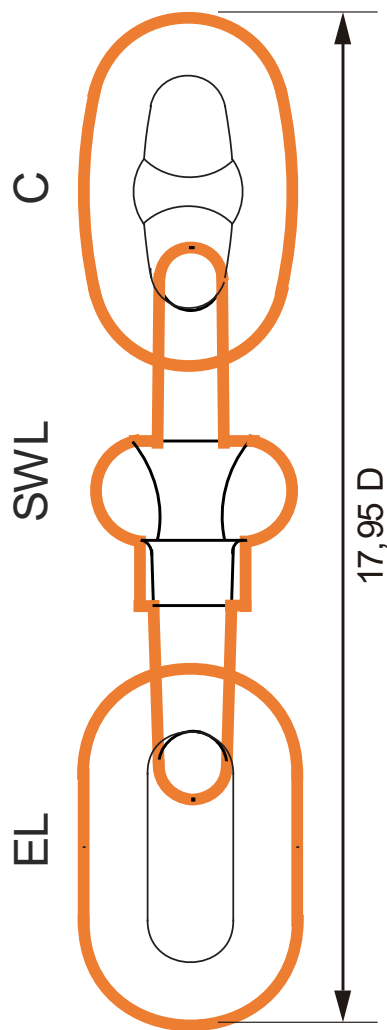
Ship Swivel – Swivel Forerunner



Weight unit is Kilograms. All measurements in mm. Measurements, weights, and drawings, are based on industry standards. Deviation margins need to be taken in mind, this is your own responsibility and not from Castle Hills AS.

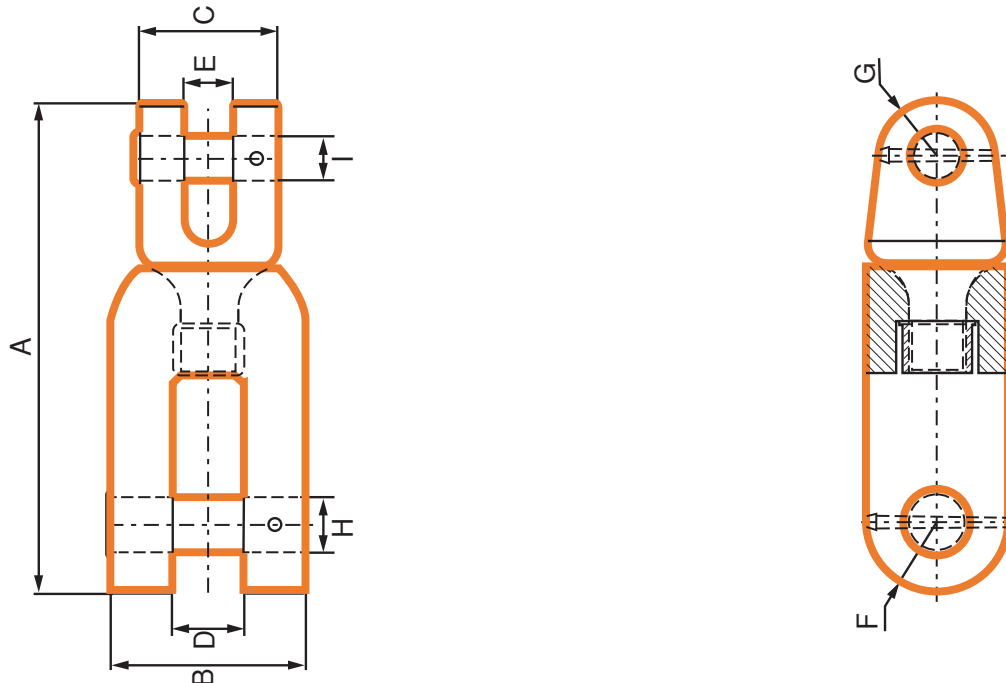


Short Swivel Forerunner – Ship Swivel



Weight unit is Kilograms. All measurements in mm. Measurements, weights, and drawings, are based on industry standards. Deviation margins need to be taken in mind, this is your own responsibility and not from Castle Hills AS.

Ship Swivel – Swivel Shackle Type A

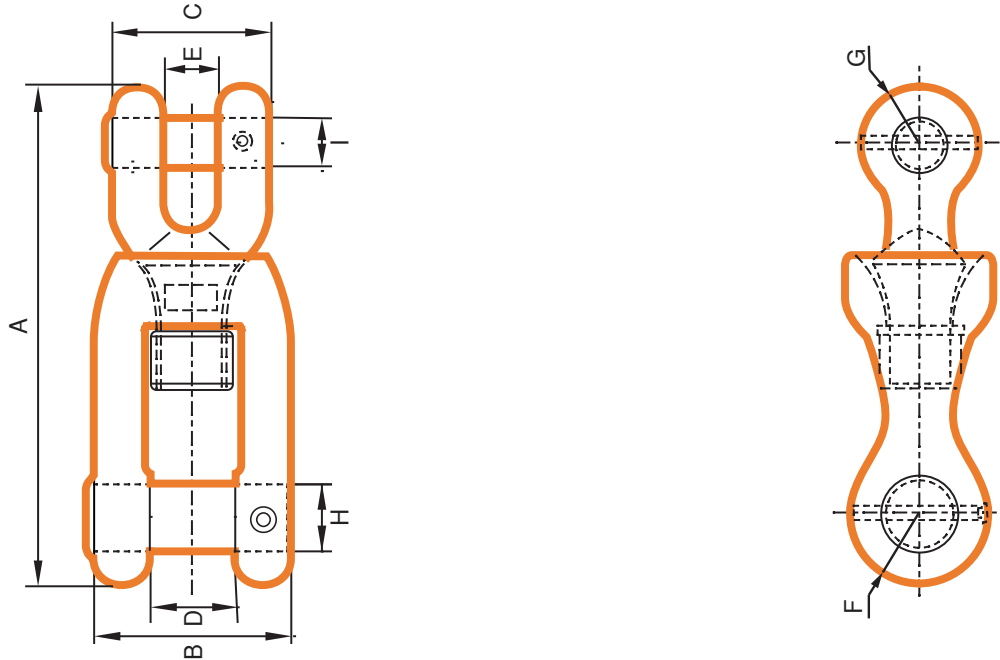


Chain \varnothing	Weight	A	B	C	D	E	F	G	H	I
14	9	195	81	56	42	21	25	31	34	18
17.5	14	264	95	64	51	24	28	35	40	22
20.5	17	360	130	87	72	32	35	45	54	28
24	22	377	143	94	80	34	37.5	48	58	31
28	43	442	162	116	87	39	47	58	62	36
32	98	493	185	124	89	45	53	62	68	42
38	118	552	218	148	101	53	58	74	76	49
42	128	615	243	164	110	59	66	82	85	55
48	160	700	277	196	123	67	75	98	90	62
52	289	782	298	202	133	73	88	109	96	68
56	300	802	322	218	146	78	88	109	102	73
62	330	877	356	252	157	88	100	126	106	82
68	458	968	380	265	154	95	106	136	116	88
76	522	1065	426	304	168	106	120	152	125	100
81	815	1142	454	328	172	113	130	164	132	105
87	1007	1218	487	352	180	122	140	176	138	113
95	1300	1326	532	380	200	133	152	190	148	124
102	1610	1448	571	412	210	143	164	206	156	133
107	1627	1538	600	420	220	150	176	210	162	140
117	2022	1638	660	460	225	165	188	230	168	154
122	2336	1756	705	488	268	175	200	250	190	165
127	2636	1828	735	508	280	185	210	260	200	170
132	2960	1900	765	528	290	190	220	270	205	178
137	3309	1972	795	548	300	200	225	285	210	185
142	3685	2044	825	568	310	205	235	295	215	190
147	4088	2116	850	588	320	215	240	305	220	198
152	4520	2188	880	608	335	220	250	315	225	205
157	4980	2260	910	628	345	225	260	325	235	210
162	5470	2332	940	648	355	235	270	335	240	218

Weight unit is Kilograms. All measurements in mm. Measurements, weights, and drawings, are based on industry standards. Deviation margins need to be taken in mind, this is your own responsibility and not from Castle Hills AS.



Swivel Shackles type B – Ship Swivel

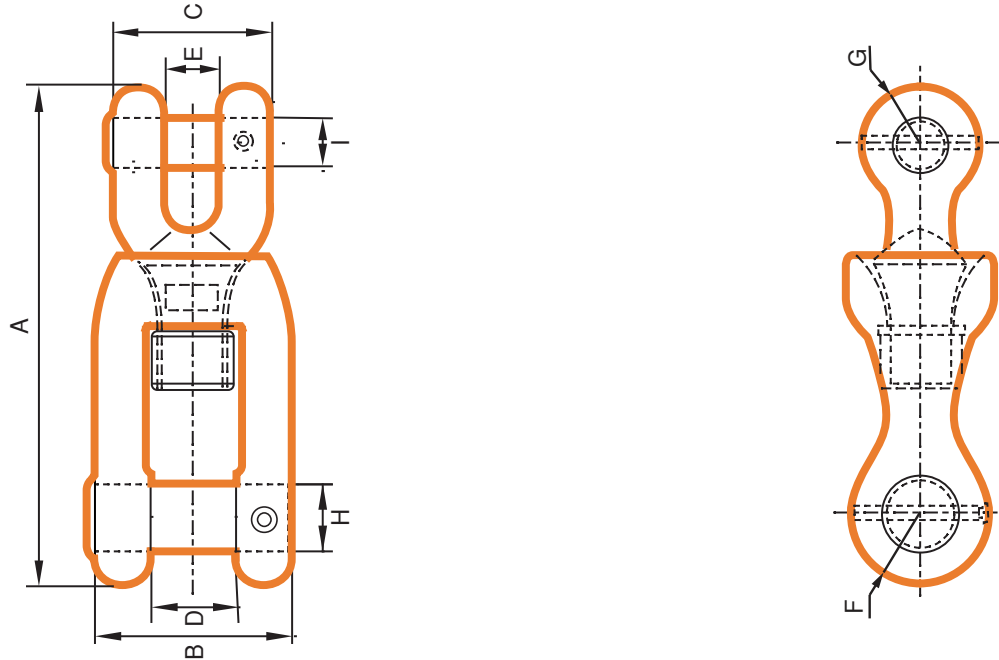


Chain ø	Weight	A	B	C	D	E	F	G	H	I
14	2.5	187	70	31	56	20	11.1	8.1	23.1	17.1
17.5	4.9	234	88	38	70	25	13.1	10.1	28.1	22.1
19	6.3	254	95	41	76	27	15.1	11.1	31.1	24.1
20.5	7.9	274	103	45	82	29	16.1	12.1	3.2	26.1
22	9.8	294	110	48	88	31	17.1	13.1	5.2	28.1
24	12.8	321	120	53	96	34	19.1	14.1	9.2	30.1
26	16.2	347	130	57	104	36	21.1	16.1	12.2	2.2
28	20.3	374	140	62	112	39	23.1	17.1	16.2	5.2
30	24.9	401	150	66	120	42	24.1	18.1	19.2	7.2
32	30.2	427	160	70	128	45	27	21	54	42
34	36.3	454	170	75	136	48	29	22	58	44
36	43.1	481	180	79	144	50	30,5	23,5	61	47
38	51.0	508	190	84	152	53	32,5	24,5	65	49
40	59.0	534	200	88	160	56	34	26	68	52
42	68.0	561	210	92	168	59	35,5	27,5	71	55
44	79.0	588	220	97	176	62	37,5	28,5	75	57
46	90.0	615	230	101	184	64	39	30	78	60
48	102.0	641	240	106	192	67	41	31	82	62
50	115.0	668	250	110	200	70	42,5	32,5	85	65
52	130.0	695	260	114	208	73	44	34	88	68
54	145.0	721	270	119	216	76	46	35	92	70
56	162.0	748	280	123	224	78	47,5	36,5	95	73
58	180.0	775	290	128	232	81	49,5	37,5	99	75
60	199.0	802	300	132	240	84	51	39	102	78
62	220.0	828	310	136	248	87	52,5	40,5	105	81
64	242.0	855	320	141	256	90	54,5	41,5	109	83
66	265.0	882	330	145	264	92	56	43	112	86
68	290.0	908	340	150	272	95	58	44	116	88
70	317.0	935	350	154	280	98	59,5	45,5	119	91

Weight unit is Kilograms. All measurements in mm. Measurements, weights, and drawings, are based on industry standards. Deviation margins need to be taken in mind, this is your own responsibility and not from Castle Hills AS.



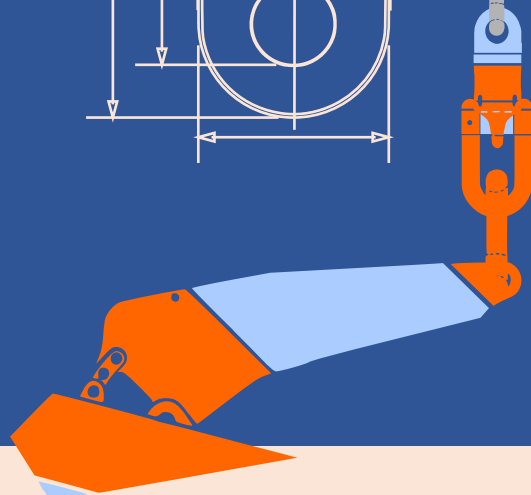
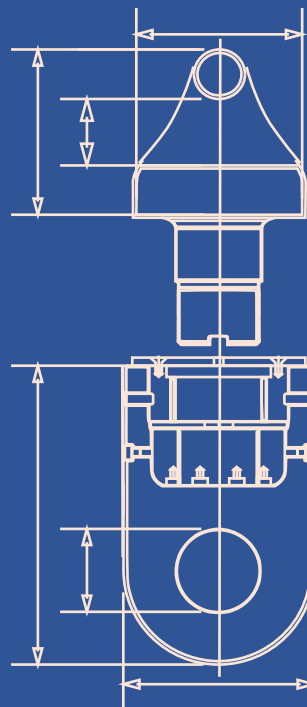
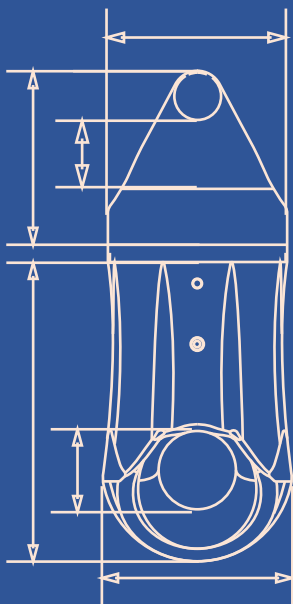
Ship Swivel – Swivel Shackle Type B



Chain ø	Weight	A	B	C	D	E	F	G	H	I
73	359.0	975	365	161	292	102	62	47,5	124	95
76	405.0	1015	380	167	304	106	65	49,5	130	99
78	438.0	1042	390	172	312	109	66,5	50,5	133	101
81	491.0	1082	405	178	324	113	69	52,5	138	105
84	547.0	1122	420	185	336	118	71	54,5	142	109
87	608.0	1162	435	191	348	122	74	56,5	148	113
90	791.0	1202	450	198	360	126	76,5	58,5	153	117
92	719.0	1229	460	202	368	129	78	60	156	120
95	791.0	1269	475	209	380	133	81	62	162	124
97	842.0	1296	485	213	388	136	82,5	63	165	126
100	923	1336	500	220	400	140	85	65	170	130
102	980	1363	510	224	408	143	86,5	66,5	173	133
105	1069	1403	525	231	420	147	89	68,5	178	137
107	1131	1430	535	235	428	150	91	69,5	182	139
111	1262	1483	555	244	444	155	94,5	72	189	144
114	1368	1523	570	251	456	160	97	74	194	148
117	1478	1563	585	257	468	164	99,5	76	199	152
120	1595	1699	600	264	480	168	102	78	204	156
122	1676	1727	610	268	488	171	103,5	79	207	158
124	1760	1755	620	273	496	174	105	80,5	210	161
127	1891	1798	635	279	508	178	108	82,5	216	165
130	2028	1840	650	286	520	182	110,5	84,5	221	169
132	2123	1869	660	290	528	185	112	86	224	172
137	2374	1940	685	301	548	192	116,5	89	233	178
142	2643	2010	710	312	568	199	120,5	92,5	241	185
147	2932	2080	735	323	588	206	125	95,5	250	191
152	3242	2152	760	334	608	213	129	99	258	198
157	3572	2223	785	345	628	220	133,5	102	267	204
162	3925	2294	810	356	648	227	137,5	105	275	210

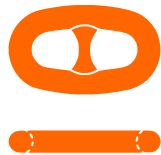
Weight unit is Kilograms. All measurements in mm. Measurements, weights, and drawings, are based on industry standards. Deviation margins need to be taken in mind, this is your own responsibility and not from Castle Hills AS.

Offshore Chain

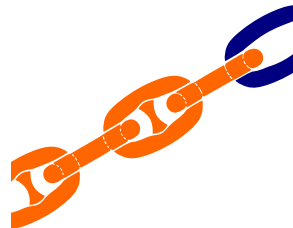


Offshore Chain

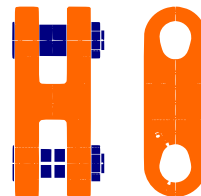
Chain



Adaptor



Shackle



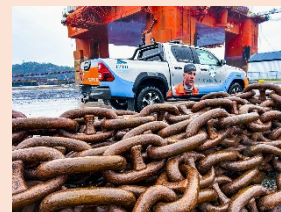
Swivel



Offshore Chain for oil rigs or offshore operations is available in Grade R3, R4 & R5. Made with different steels, in order to comply with different regulations and be suitable for different tasks.

Buy or Rent

Studlink chain for rigs and offshore vessels in stock in Norway, as well as offshore mooring chain, stud and studless.



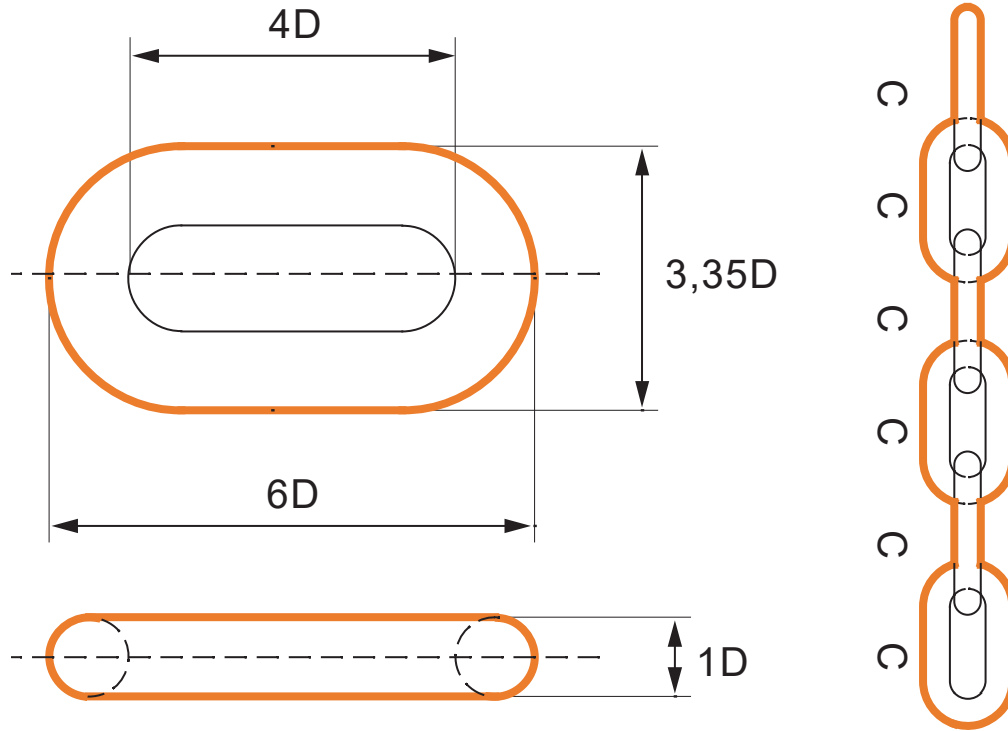
Second Hand

Second Hand offshore chain also in stock in Norway, at convenient prices.

Weight unit is Kilograms. All measurements in mm. Measurements, weights, and drawings, are based on industry standards. Deviation margins need to be taken in mind, this is your own responsibility and not from Castle Hills AS.



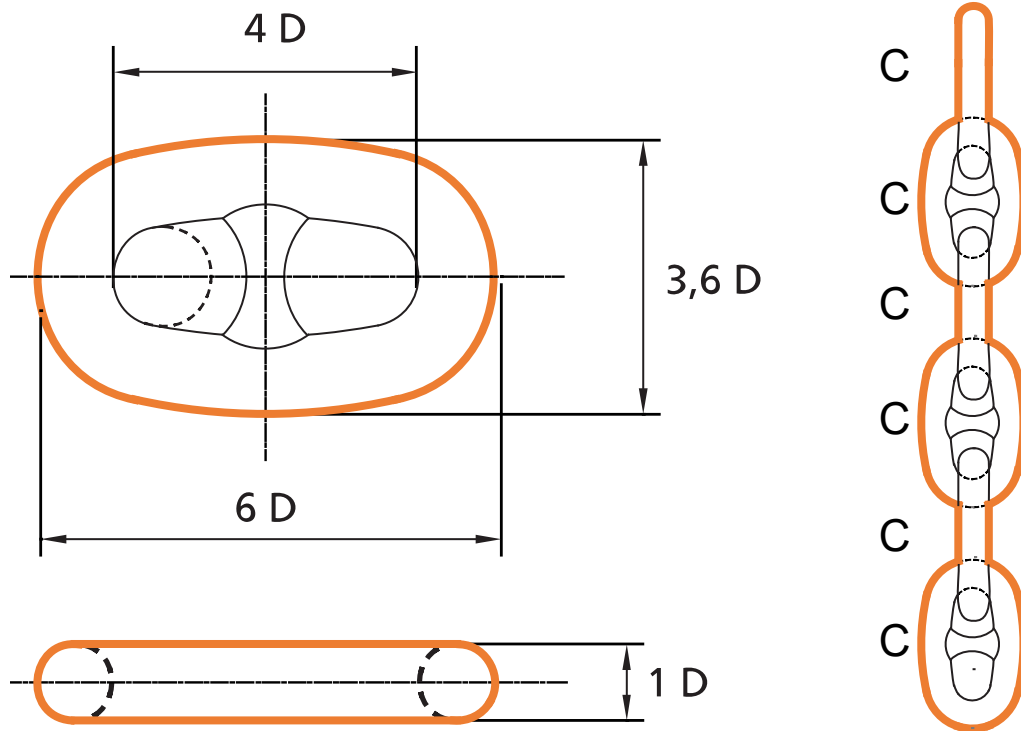
ISO 1704 Modified – Studless Chain



Dia mm	Kg / m	Kg /Link	Dia mm	Kg / m	Kg /Link	Dia mm	Kg / m	Kg /Link
30	18	2	66	87	23	114	260	119
32	20	3	68	92	25	117	274	128
34	23	3	70	98	27	120	288	138
36	26	4	73	107	31	122	298	145
38	29	4	76	116	35	124	308	153
40	32	5	78	122	38	127	323	164
42	35	6	81	131	42	130	338	176
44	39	7	84	141	47	132	348	184
46	42	8	87	151	53	137	375	206
48	46	9	90	162	58	142	403	229
50	50	10	92	169	62	147	432	254
52	54	11	95	181	69	152	462	281
54	58	13	97	188	73	157	493	310
56	63	14	100	200	80	162	525	340
58	67	16	102	208	85	167	558	373
60	72	17	105	221	93	172	592	407
62	77	19	107	229	98	177	627	444
64	82	21	111	246	109	180	648	467

Weight unit is Kilograms. All measurements in mm. Measurements, weights, and drawings, are based on industry standards. Deviation margins need to be taken in mind, this is your own responsibility and not from Castle Hills AS.

Offshore Chain – Studlink



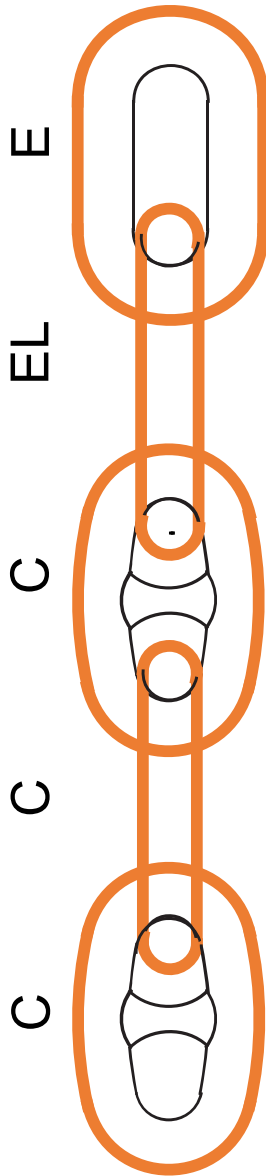
Dia mm	Kg / m	Kg / Link	Kg / 27.5m
56	69	17	1452
58	74	19	1568
60	79	21	1705
62	84	23	1815
64	90	25	1953
66	95	28	2118
68	101	30	2283
70	107	33	2420
73	117	37	2585
76	126	42	2750
78	133	46	2943
81	144	51	3135
84	155	57	3410
87	166	63	3713
90	177	70	3905
92	185	75	4235
95	198	83	4565
97	206	88	4895
100	219	96	5198

Dia mm	Kg / m	Kg / Link	Kg / 27.5m
102	228	102	5473
105	241	112	5803
107	251	118	6050
111	270	132	6435
114	285	143	6683
117	300	154	7315
120	315	167	7893
122	326	175	8360
124	337	184	8718
127	353	197	9488
130	370	212	10313
132	382	222	11000
137	411	248	11990
142	442	276	12843
147	473	306	13723
152	506	338	14713
157	540	373	15675
162	575	410	16775

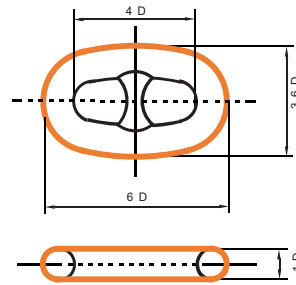
Weight unit is Kilograms. All measurements in mm. Measurements, weights, and drawings, are based on industry standards. Deviation margins need to be taken in mind, this is your own responsibility and not from Castle Hills AS.



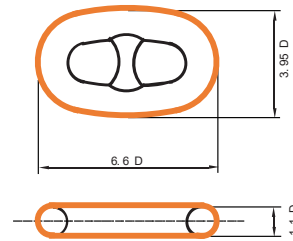
5 Link Adaptor – Offshore Chain



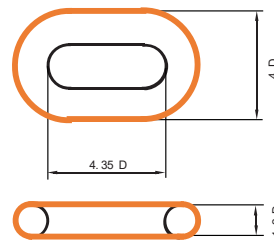
Common Link



Enlarged Link

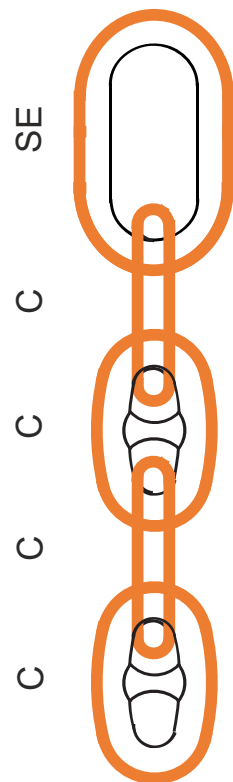


Special End Link

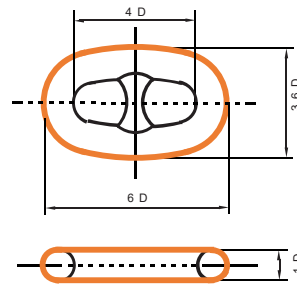


Weight unit is Kilograms. All measurements in mm. Measurements, weights, and drawings, are based on industry standards. Deviation margins need to be taken in mind, this is your own responsibility and not from Castle Hills AS.

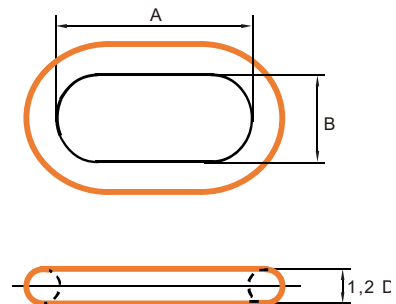
Offshore Chain – 5 Link Adaptor SE



Common Link



Special End Link

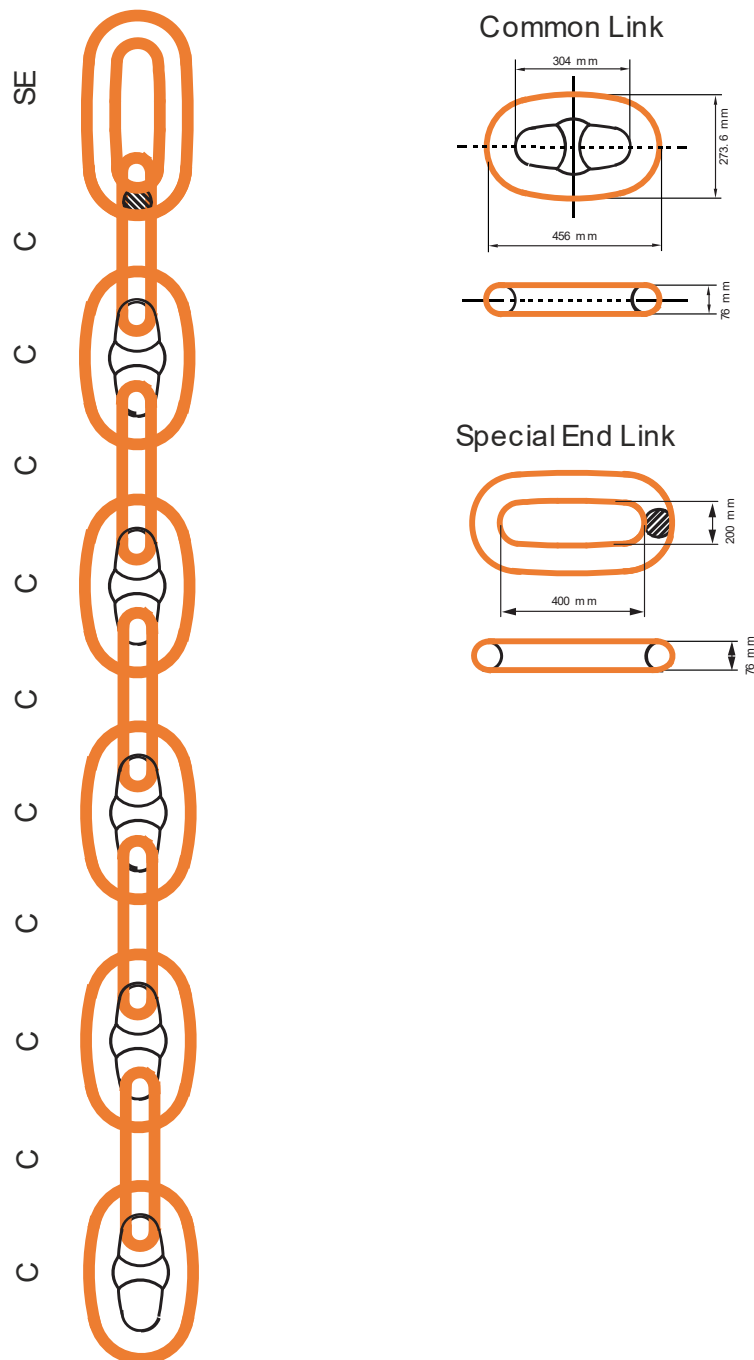


Dia	76 mm	84 mm
A	406	502
B	189	190

Weight unit is Kilograms. All measurements in mm. Measurements, weights, and drawings, are based on industry standards. Deviation margins need to be taken in mind, this is your own responsibility and not from Castle Hills AS.

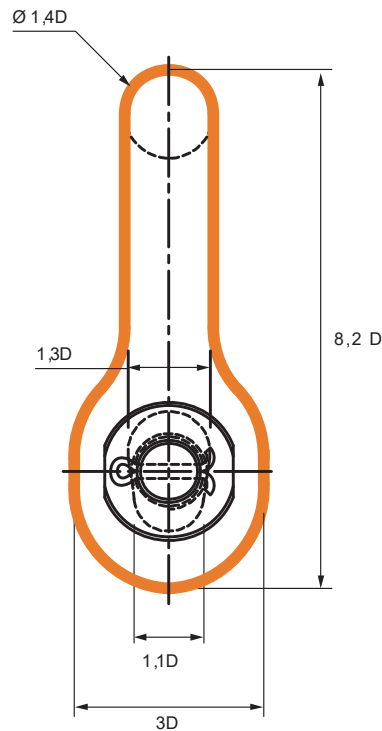
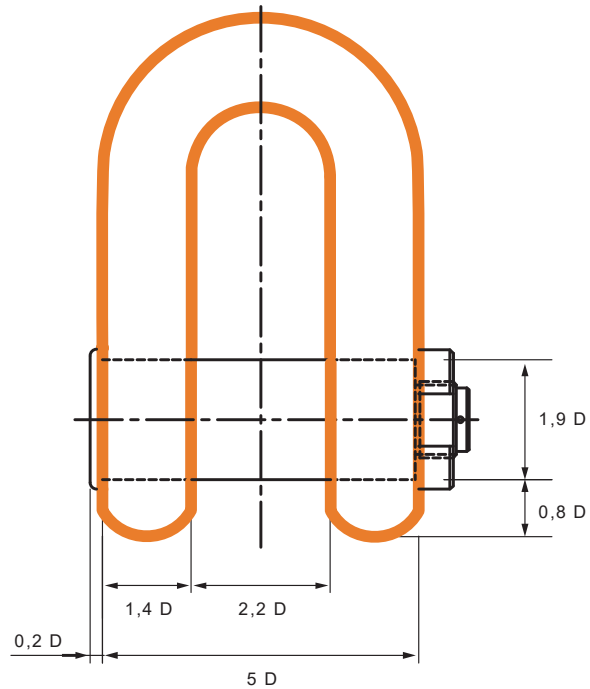


11 Link Adaptor – Special End Link



Weight unit is Kilograms. All measurements in mm. Measurements, weights, and drawings, are based on industry standards. Deviation margins need to be taken in mind, this is your own responsibility and not from Castle Hills AS.

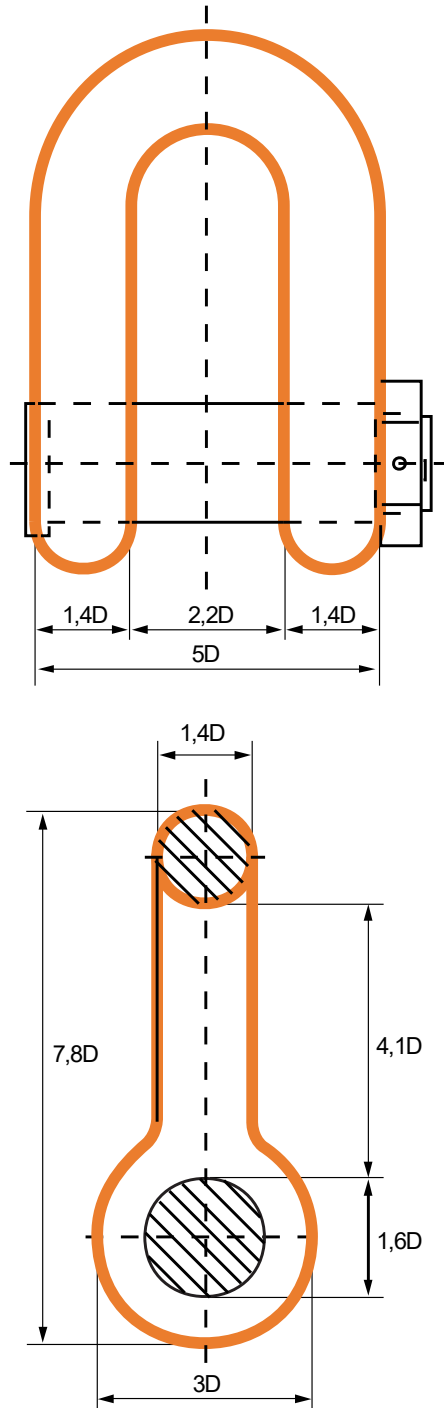
Type D-LTM – Special Anchor Shackle



Weight unit is Kilograms. All measurements in mm. Measurements, weights, and drawings, are based on industry standards. Deviation margins need to be taken in mind, this is your own responsibility and not from Castle Hills AS.

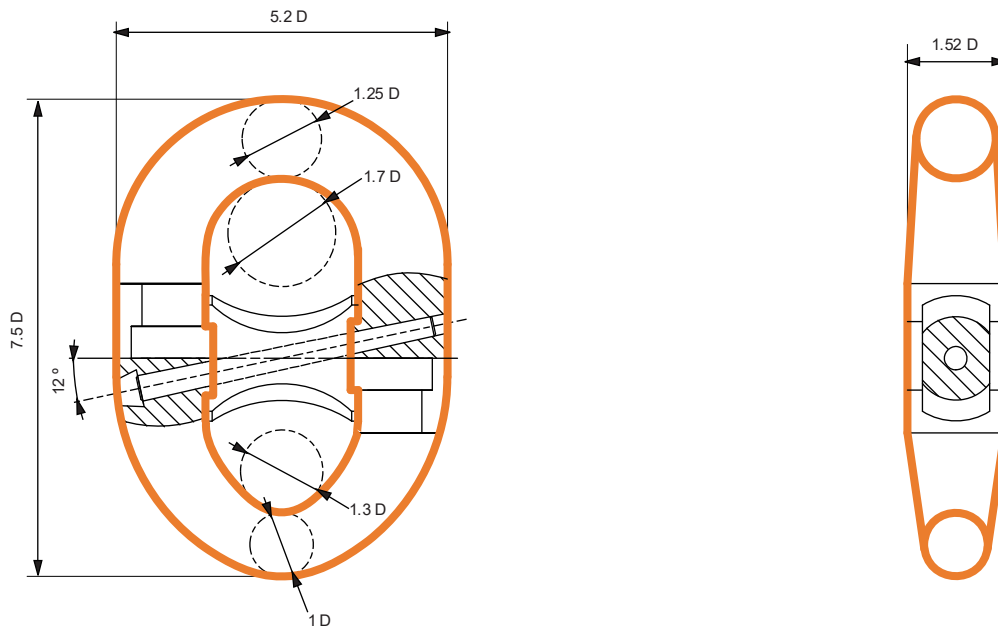


Special Anchor Shackle – Type D



Weight unit is Kilograms. All measurements in mm. Measurements, weights, and drawings, are based on industry standards. Deviation margins need to be taken in mind, this is your own responsibility and not from Castle Hills AS.

APAC Type – Anchor Kenter Shackle

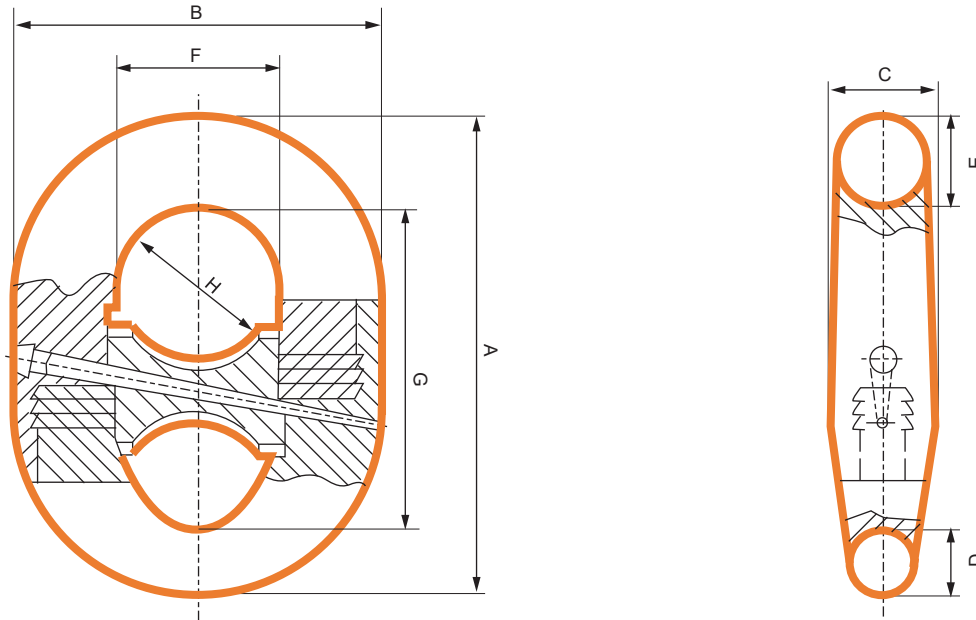


Chain Ø	Grade	Proof Load	Break Load
76	R3	3417	4885
76	R4	4731	6002
84	R3	4104	5866
84	R4	5682	7208

Weight unit is Kilograms. All measurements in mm. Measurements, weights, and drawings, are based on industry standards. Deviation margins need to be taken in mind, this is your own responsibility and not from Castle Hills AS.



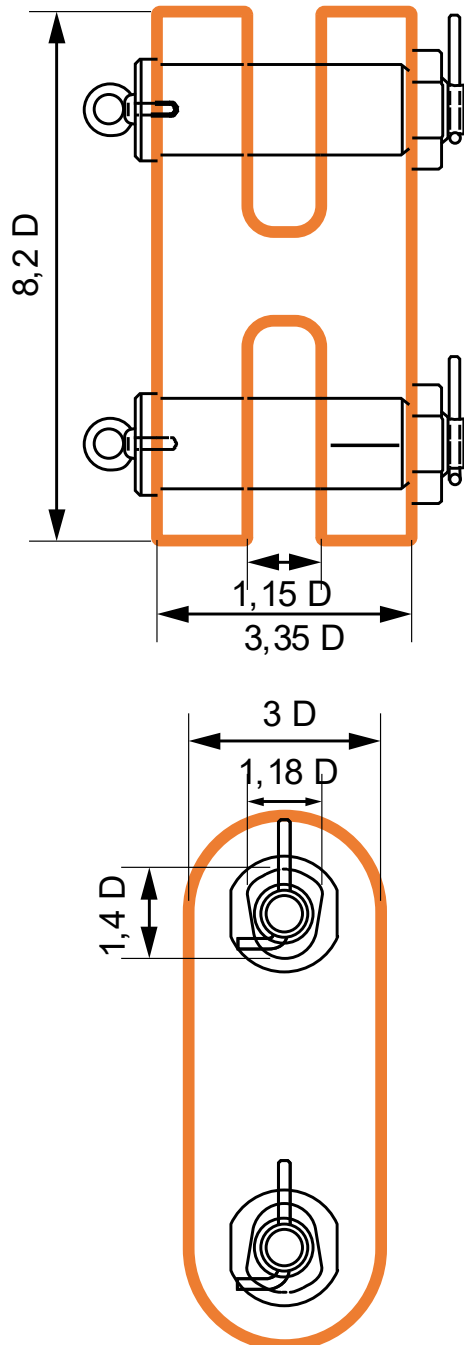
Anchor Kenter Shackle – EU Type



Chain Ø	A	B	C	D	E	F	G	H
76	619	412	130	83	106	175	430	160
84	685	455	141	90	118	193	477	180
89	725	482	152	98	125	205	502	190
95	745	510	163	98	130	217	517	200
120	978	650	205	132	168	276	678	260

Weight unit is Kilograms. All measurements in mm. Measurements, weights, and drawings, are based on industry standards. Deviation margins need to be taken in mind, this is your own responsibility and not from Castle Hills AS.

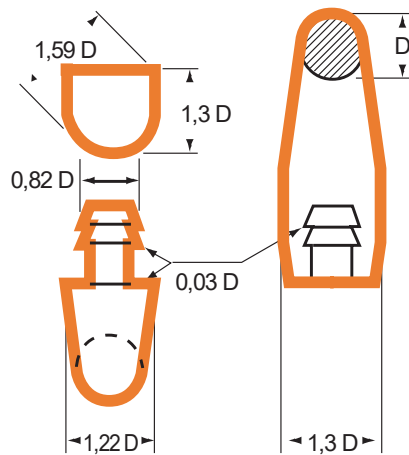
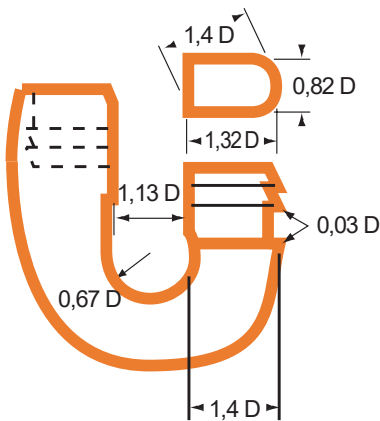
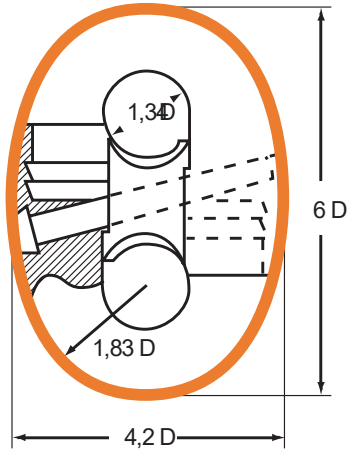
Offshore Shackle – H Link



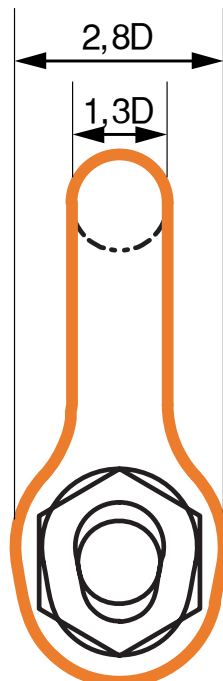
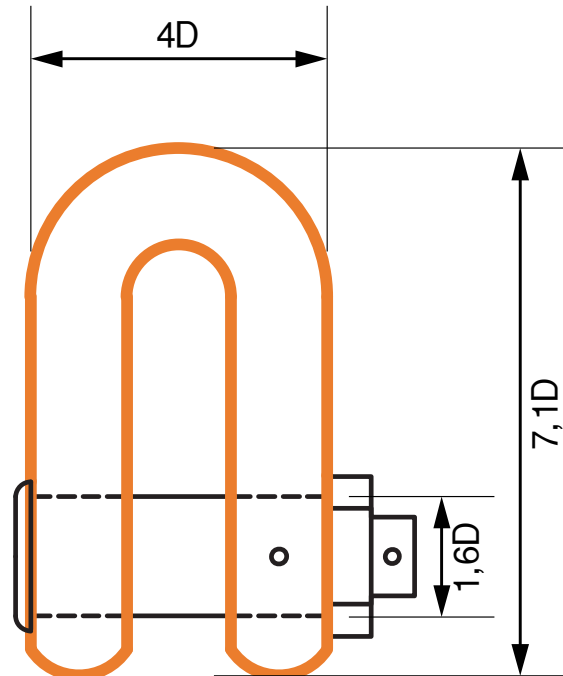
Weight unit is Kilograms. All measurements in mm. Measurements, weights, and drawings, are based on industry standards. Deviation margins need to be taken in mind, this is your own responsibility and not from Castle Hills AS.



Slim Kenter – Offshore Shackle



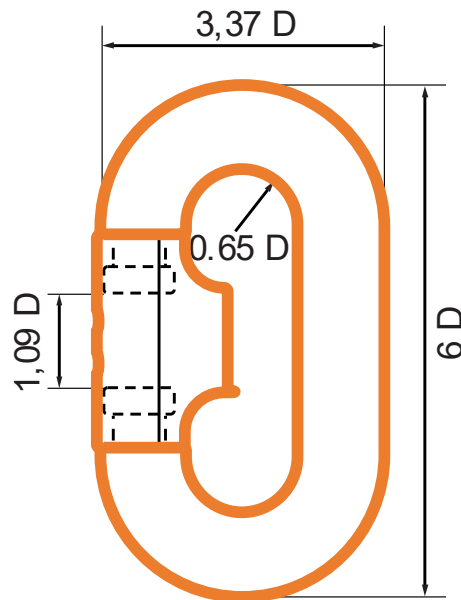
Weight unit is Kilograms. All measurements in mm. Measurements, weights, and drawings, are based on industry standards. Deviation margins need to be taken in mind, this is your own responsibility and not from Castle Hills AS.

Mooring – **Joining Shackle D-LTM**

Weight unit is Kilograms. All measurements in mm. Measurements, weights, and drawings, are based on industry standards. Deviation margins need to be taken in mind, this is your own responsibility and not from Castle Hills AS.

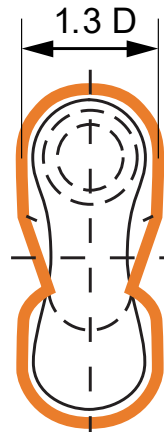
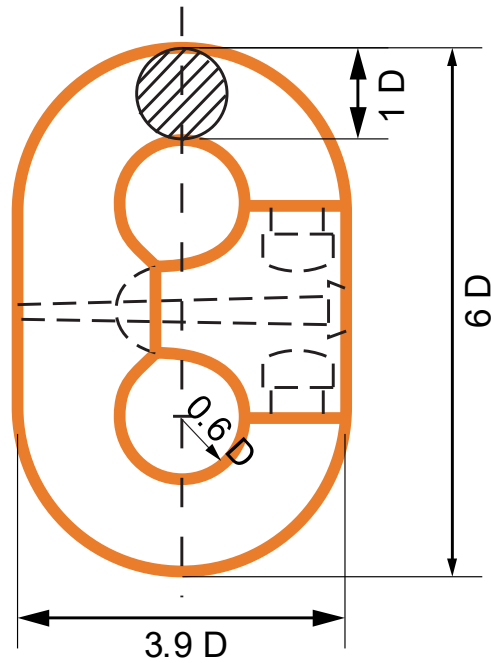


Installation Link – Offshore Shackle



Weight unit is Kilograms. All measurements in mm. Measurements, weights, and drawings, are based on industry standards. Deviation margins need to be taken in mind, this is your own responsibility and not from Castle Hills AS.

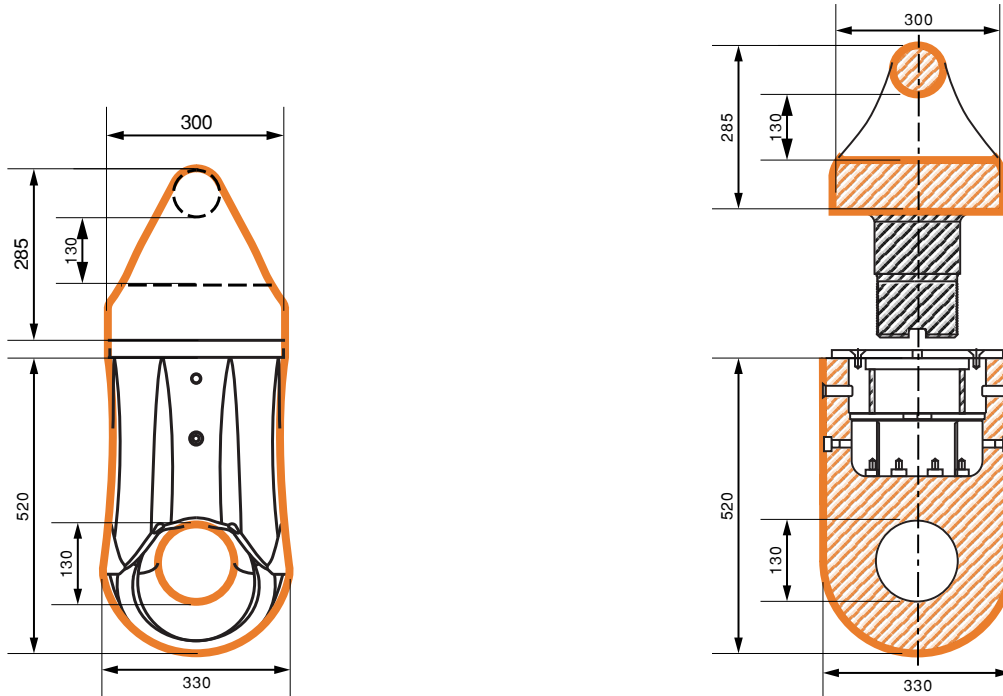
C-Connector – Joining Shackle



Weight unit is Kilograms. All measurements in mm. Measurements, weights, and drawings, are based on industry standards. Deviation margins need to be taken in mind, this is your own responsibility and not from Castle Hills AS.

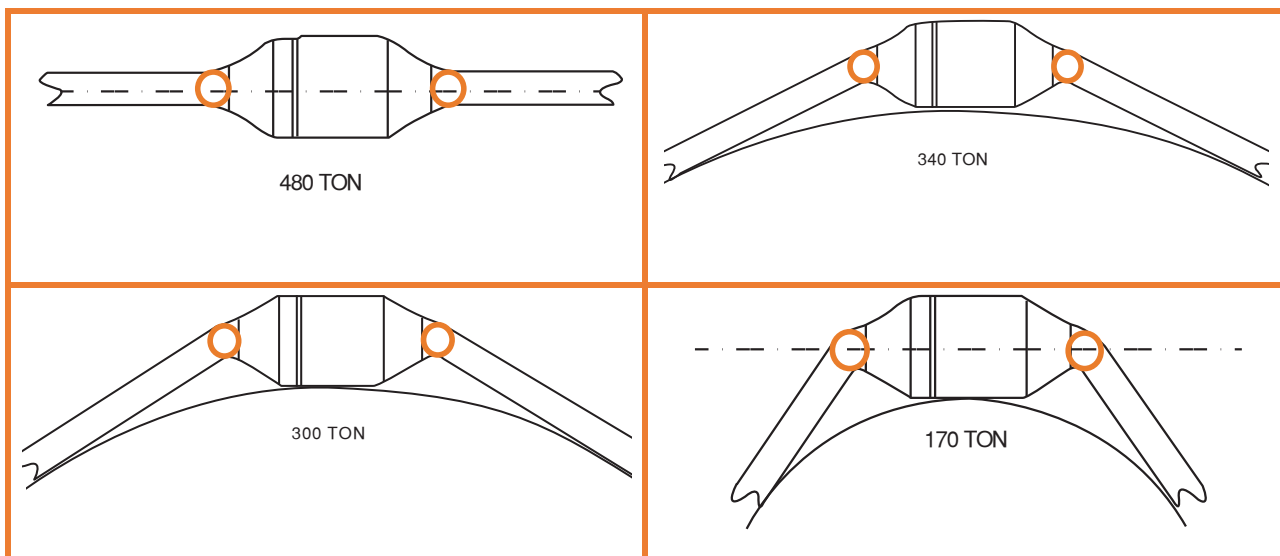


Dacmatech Swivel – Offshore Swivel



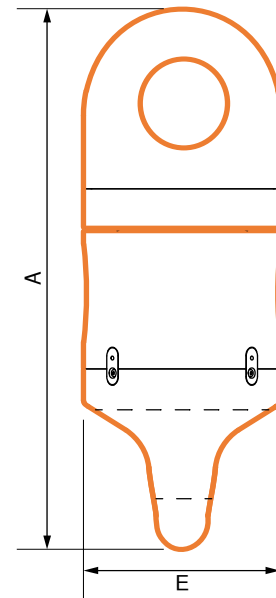
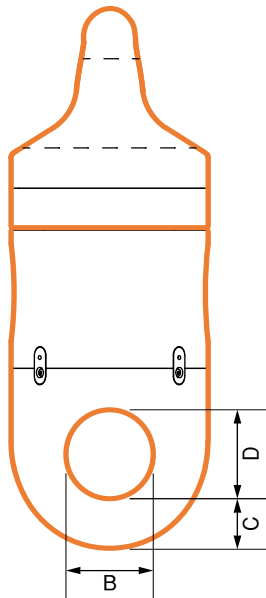
Proof Load	Break Load	Steel Quality	Weight
mT	mT		kg
460	723	34CrNiMo6+QT	315

Loading Diagram with different test loads:



Weight unit is Kilograms. All measurements in mm. Measurements, weights, and drawings, are based on industry standards. Deviation margins need to be taken in mind, this is your own responsibility and not from Castle Hills AS.

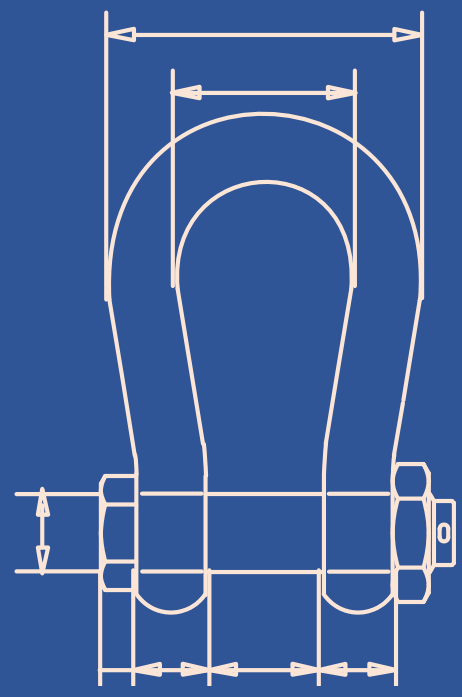
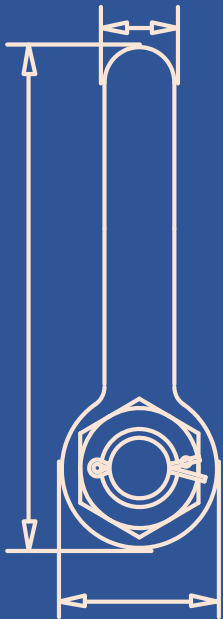
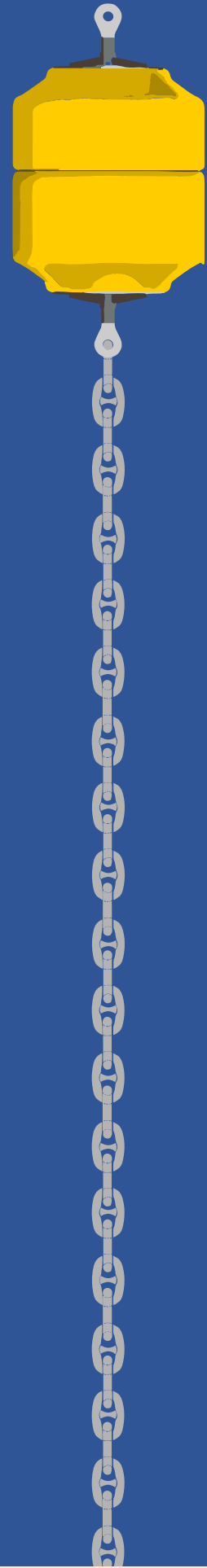
Offshore Swivel – Nautilus Swivel



Size	Weight	Grade	Proof Load	Break Load	A	B	C	D	E
70-76	364	4	4731	6022	967	135	88	145	320
76-84	443	4	5682	7357.5	920	140	93	145	360
84-89	443	4	6602	8418	920	140	93	145	360
95-102	581	4	8246	10512	1056	180	110	160	400

Weight unit is Kilograms. All measurements in mm. Measurements, weights, and drawings, are based on industry standards. Deviation margins need to be taken in mind, this is your own responsibility and not from Castle Hills AS.

Mooring Chain



Mooring Chain

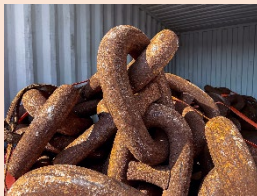
Chain Shackle Related



Mooring Chain can be very different depending on it's implications. The most common types are regular offshore mooring chain and Long Term Mooring (LTM) chain, also for offshore. The main component of mooring chain are it's shackles.

Shackles

Thousands of units of mooring shackles, including original Crosby and Green Pin second hand shackles.

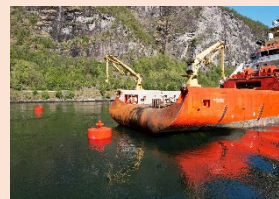


Second Hand

Both Offshore and Ship chain for mooring, Stud Link and Studless in Stock across over 8 Worldwide locations.

Mooring Projects

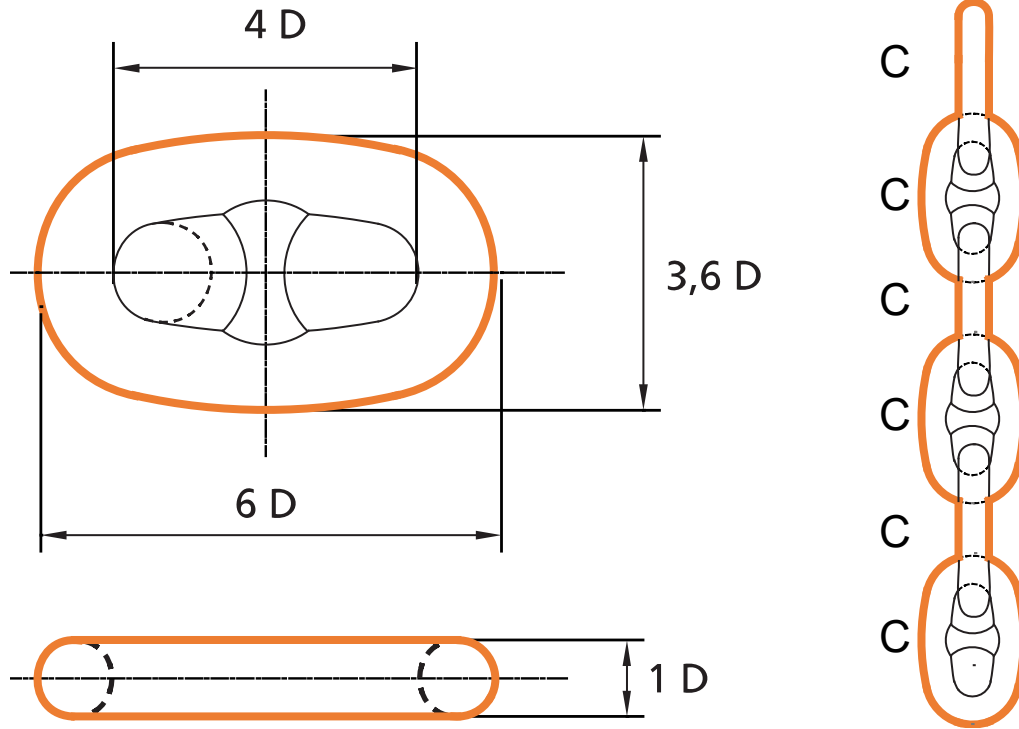
Installation of Mooring Chain and custom made mooring buoys at Geiranger Fjords.



Weight unit is Kilograms. All measurements in mm. Measurements, weights, and drawings, are based on industry standards. Deviation margins need to be taken in mind, this is your own responsibility and not from Castle Hills AS.



Stud Link – Anchor Chain



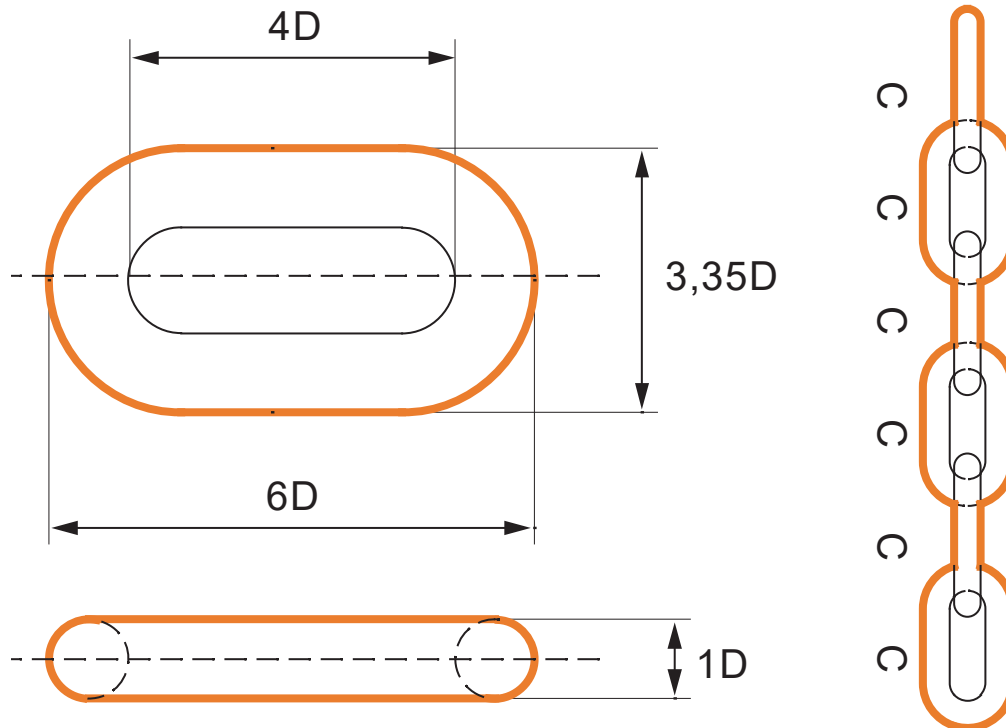
Dia mm	Kg / m	Kg / Link	Kg / 27.5m
12.5	3.5	0.17	96
14	4.4	0.24	121
16	5.8	0.36	160
17.5	7.0	0.47	193
19	8	0.7	96
20.5	9	0.8	121
22	11	1	160
24	13	1	193
26	15	2	223
28	17	2	275
30	20	3	305
32	22	3	366
34	25	4	432
36	28	4	503
38	32	5	578
40	35	6	657
42	39	7	743
44	42	8	831
46	46	9	927
48	50	11	1020
50	55	12	1114

Dia mm	Kg / m	Kg / Link	Kg / 27.5m
52	59	14	1218
54	64	15	1334
56	69	17	1452
58	74	19	1568
60	79	21	1705
62	84	23	1815
64	90	25	1953
66	95	28	2118
68	101	30	2283
70	107	33	2420
73	117	37	2585
76	126	42	2750
78	133	46	2943
81	144	51	3135
84	155	57	3410
87	166	63	3713
90	177	70	3905
92	185	75	4235
95	198	83	4565
97	206	88	4895
100	219	96	5198

Dia mm	Kg / m	Kg / Link	Kg / 27.5m
102	228	102	5473
105	241	112	5803
107	251	118	6050
111	270	132	6435
114	285	143	6683
117	300	154	7315
120	315	167	7893
122	326	175	8360
124	337	184	8718
127	353	197	9488
130	370	212	10313
132	382	222	11000
137	411	248	11990
142	442	276	12843
147	473	306	13723
152	506	338	14713
157	540	373	15675
162	575	410	16775
165	596	433	17753
168	618	457	17823
171	640	482	18798
175	671	516	20124

Weight unit is Kilograms. All measurements in mm. Measurements, weights, and drawings, are based on industry standards. Deviation margins need to be taken in mind, this is your own responsibility and not from Castle Hills AS.

Mooring Chain – Studless LTM

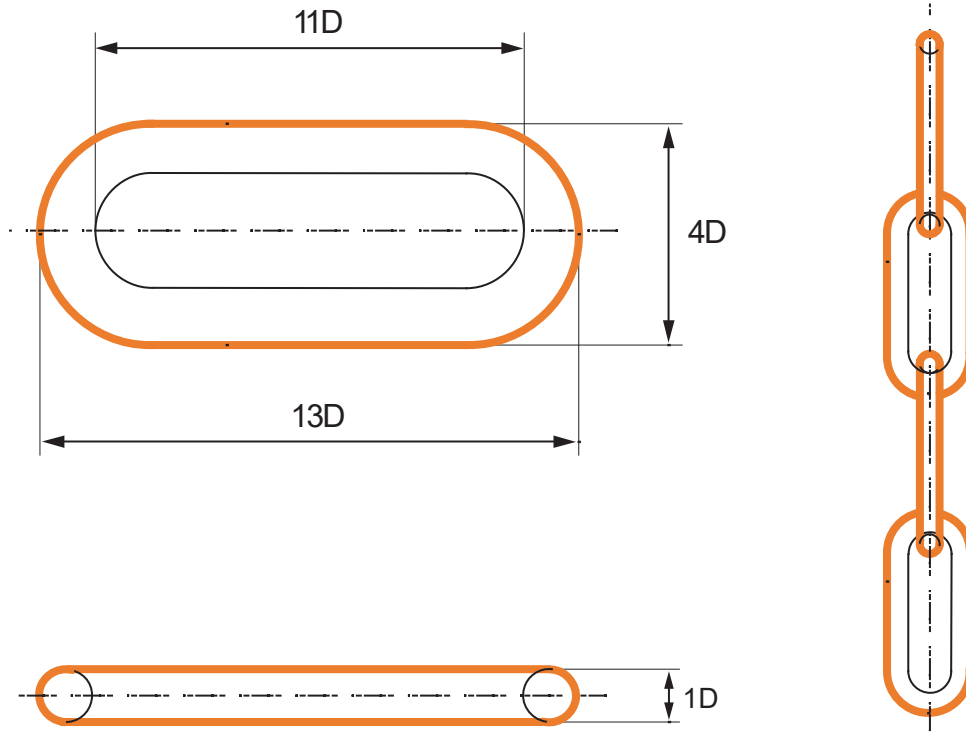


Dia mm	Kg / m	Kg /Link	Dia mm	Kg / m	Kg /Link	Dia mm	Kg / m	Kg /Link
30	18	2	66	87	23	114	260	119
32	20	3	68	92	25	117	274	128
34	23	3	70	98	27	120	288	138
36	26	4	73	107	31	122	298	145
38	29	4	76	116	35	124	308	153
40	32	5	78	122	38	127	323	164
42	35	6	81	131	42	130	338	176
44	39	7	84	141	47	132	348	184
46	42	8	87	151	53	137	375	206
48	46	9	90	162	58	142	403	229
50	50	10	92	169	62	147	432	254
52	54	11	95	181	69	152	462	281
54	58	13	97	188	73	157	493	310
56	63	14	100	200	80	162	525	340
58	67	16	102	208	85	167	558	373
60	72	17	105	221	93	172	592	407
62	77	19	107	229	98	177	627	444
64	82	21	111	246	109	180	648	467

Weight unit is Kilograms. All measurements in mm. Measurements, weights, and drawings, are based on industry standards. Deviation margins need to be taken in mind, this is your own responsibility and not from Castle Hills AS.



DIN 763 Long Link – Studless Chain

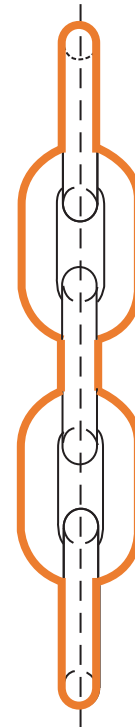
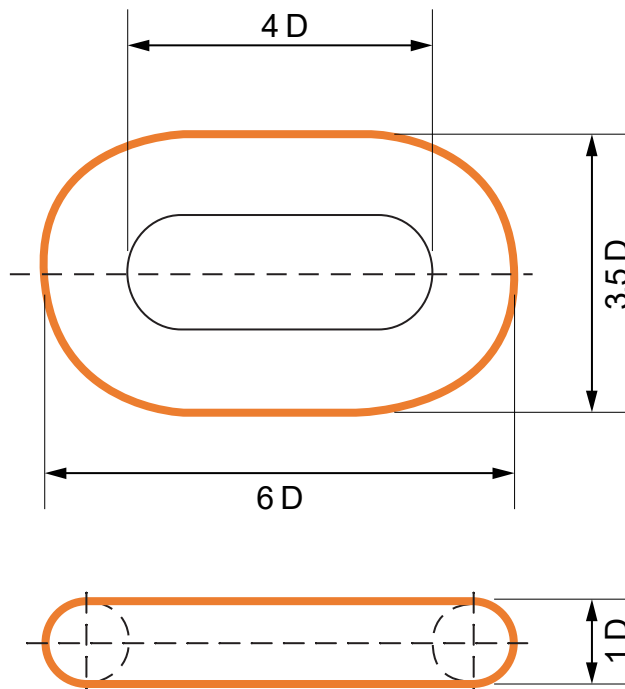


Dia	WLL (kg)	Test Load (kN)	Break Load (kN)	kg / m
2	25	0.8	1.25	0.06
3	55	01.05	3.2	0.15
4	100	2.0	5.0	0.27
5	160	3.15	10.0	0.43
6	224	4.5	14.0	0.63
7	320	6.8	20.0	1.1
8	460	9.0	22.5	1.25
9	630	12.5	40.0	1.75
10	790	15.8	47.5	2.11
11	940	18.8	56.5	2.55
12	1000	21.2	63.0	2.95
13	1600	33.0	100.0	4.29
16	2120	42.3	132.0	5.65
18	2370	47.3	142.0	6.25
19	2500	50.0	160.0	7.21
20	3120	63.3	200.0	7.97
22	4170	81.7	245.0	8.95
25	6000	120.0	300.0	13.9
28	8000	160.0	400.0	18.2

This is alloy chain, information might vary depending material composition.

Weight unit is Kilograms. All measurements in mm. Measurements, weights, and drawings, are based on industry standards. Deviation margins need to be taken in mind, this is your own responsibility and not from Castle Hills AS.

Mooring Chain – Studless



Dia	Pitch	Weight	Break Load Grade 2	Break Load Grade 3	Treatment
mm	mm	Kg/m	kN	kN	-
13	45 × 18	3.5	98		Tarred / Galv
16	99 × 32	4.5	132.5	184.8	Tarred / Galv
19	119 × 34	6.3	187	260.6	Tarred / Galv
22	127 × 34	8.6	290	349.4	Tarred / Galv
24	96 × 36	11.5	298.9	415.8	Tarred / Galv
26	104 × 39	14	350.8	488	Tarred / Galv
28	112 × 42	16	405.9	566	Tarred / Galv
30	120 × 45	18.5	467.5	649.8	Tarred / Galv
32	128 × 48	20.5	530.9	739.3	Tarred / Galv
36	144 × 54	26.5	672.3	935.7	Tarred / Galv
40	160 × 60	32	829.1	1155.2	Tarred / Galv
50	200 × 75	52	1239.6	1805	Tarred / Galv
60	240 × 90	71	1857.6	2598	Tarred / Galv

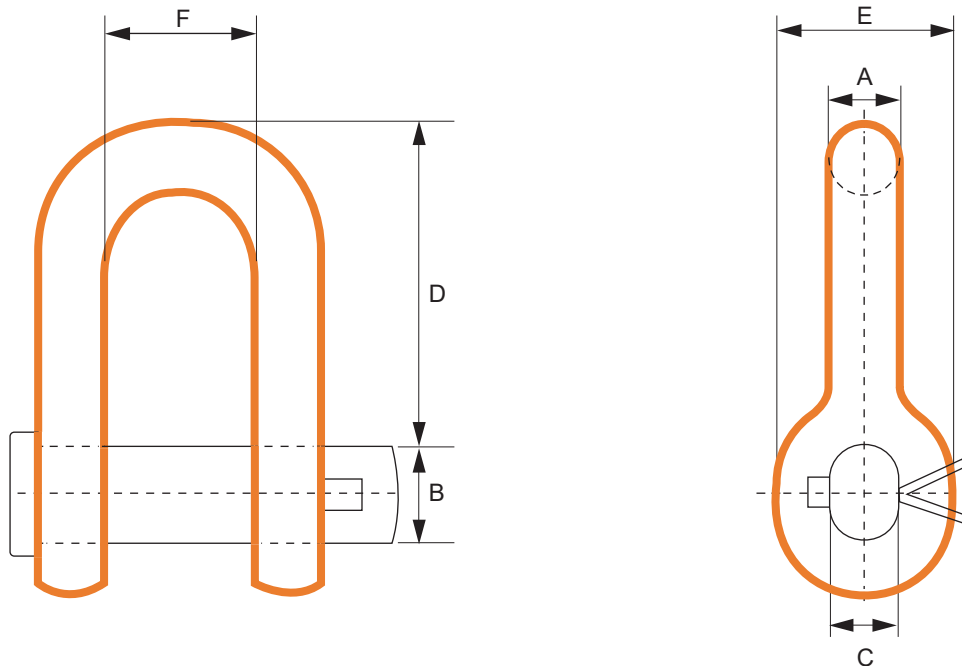
Studless chain for Aquaculture and Fish Farming.

According to industry standards, the break load of hot pit galvanized chain is reduced approximately 15%.

Weight unit is Kilograms. All measurements in mm. Measurements, weights, and drawings, are based on industry standards. Deviation margins need to be taken in mind, this is your own responsibility and not from Castle Hills AS.

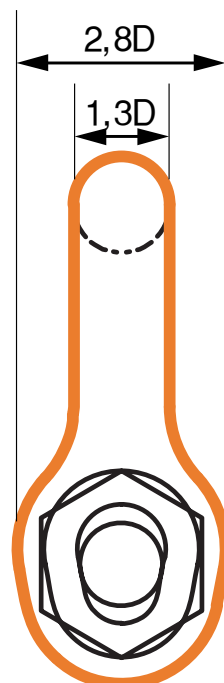
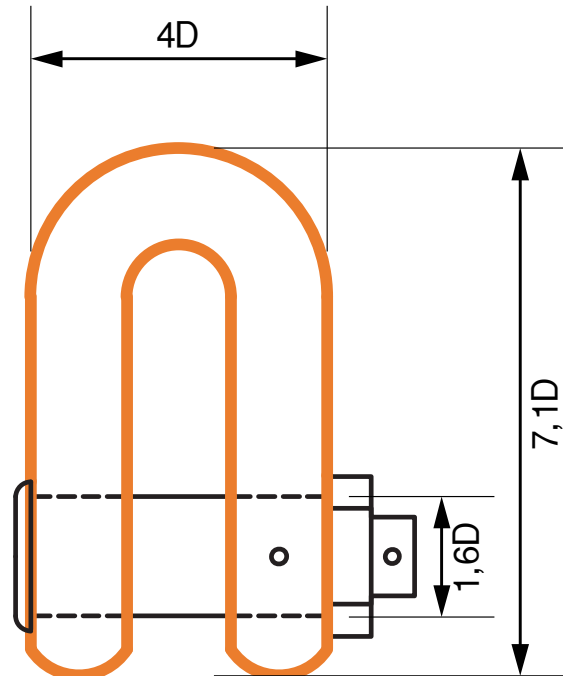


Forelock Buoy Shackles – Mooring



Chain Dia.	A	B	C	D	E	F
19	26	34	26	114	42	46
22	32	39	32	132	48	52
26	38	46	38	156	56	61
32	46	57	46	192	69	76
34	48	62	48	204	74	80
38	54	69	54	228	85	92
42	59	75	59	252	92	100

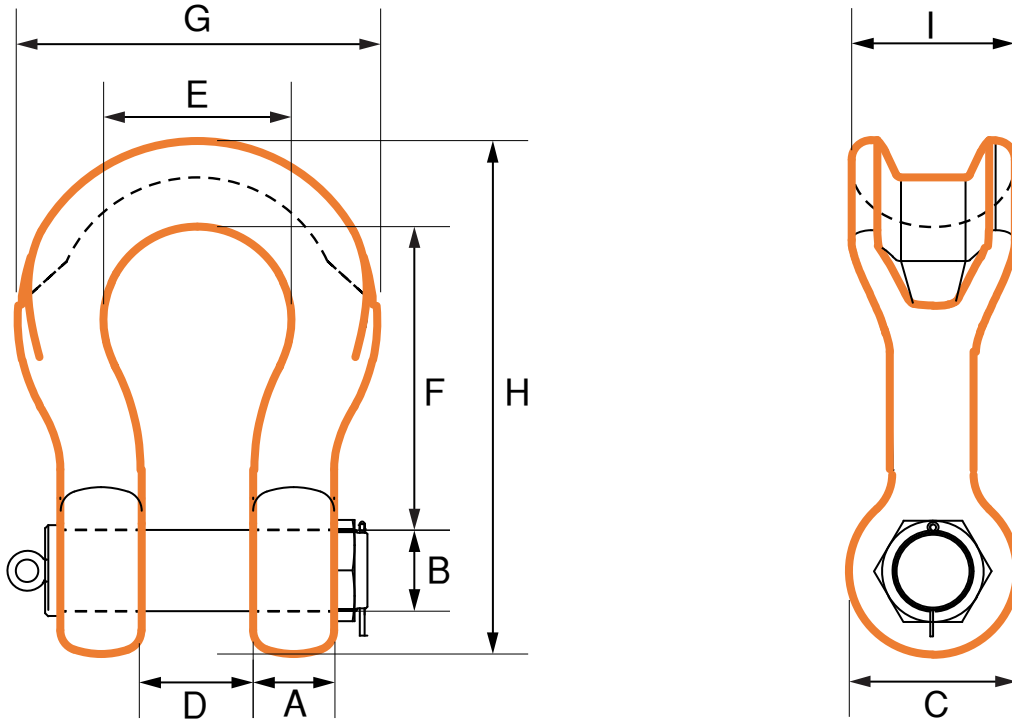
Weight unit is Kilograms. All measurements in mm. Measurements, weights, and drawings, are based on industry standards. Deviation margins need to be taken in mind, this is your own responsibility and not from Castle Hills AS.

Mooring – **Joining Shackle type D LTM**

Weight unit is Kilograms. All measurements in mm. Measurements, weights, and drawings, are based on industry standards. Deviation margins need to be taken in mind, this is your own responsibility and not from Castle Hills AS.



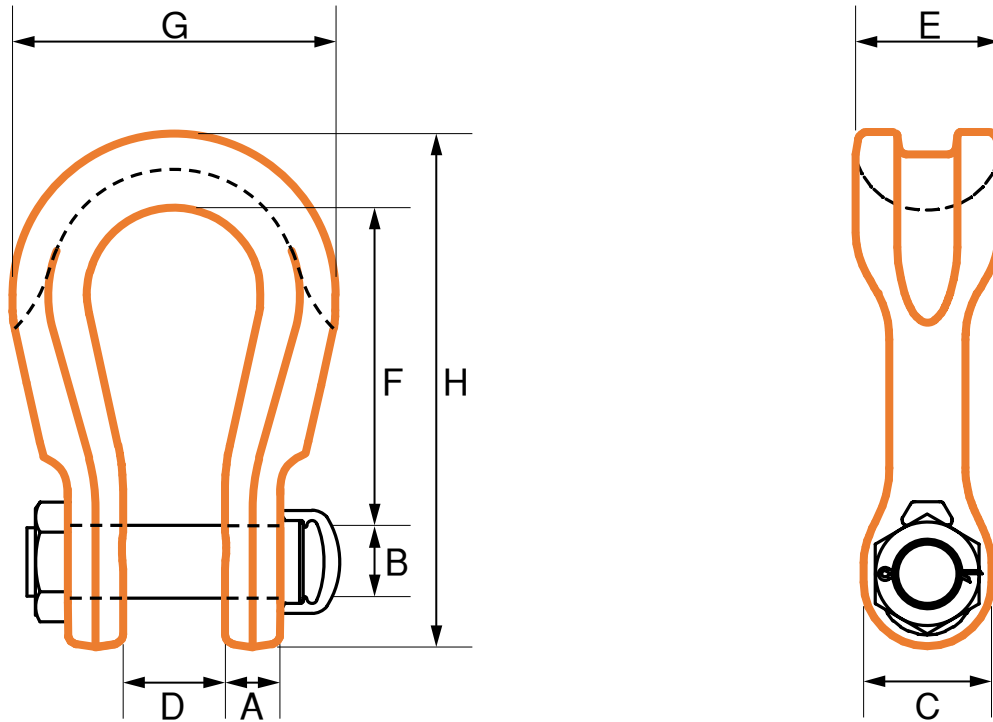
Wide Body Shackle – Mooring Chain



WLL	Weight	A	B	C	D	E	F	G	H	I
30	14	35	44	90	65	128	180	209	292	80
40	21	45	51	109	84	140	200	235	331	97
55	33	65	56	130	90	160	250	288	400	115
75	53	75	70	150	110	185	300	334	485	120
125	84	85	80	165	140	220	370	380	583	150
150	115	90	95	200	150	250	400	429	638	170
200	183	105	105	225	160	275	480	484	755	205
250	255	120	120	240	180	300	550	540	850	240
300	368	140	134	280	195	350	600	628	947	265
400	571	160	160	330	230	370	620	689	1035	320
500	719	170	180	350	265	450	680	779	1125	340
600	960	180	200	405	290	490	720	849	1213	370
700	1350	210	215	465	320	540	780	957	1330	400
800	1400	220	230	465	345	555	800	975	1358	420
900	2100	235	250	480	370	585	850	1060	1450	440
1000	2200	235	270	530	400	615	850	1091	1490	460
1550	3300	275	320	610	485	680	980	1240	1745	580
1750	4700	310	360	660	500	700	1020	1326	2000	600
2000	4800	320	385	680	520	720	1060	1326	1913	620
2500	6300	340	430	760	520	740	1100	1400	2060	660
3000	6500	350	450	780	540	740	1100	1480	2060	680
3500	8000	370	465	830	560	760	1100	1560	2100	760
4000	8200	380	480	870	600	780	1100	1620	2100	800

Weight unit is Kilograms. All measurements in mm. Measurements, weights, and drawings, are based on industry standards. Deviation margins need to be taken in mind, this is your own responsibility and not from Castle Hills AS.

Mooring Chain – Crosby G2160 Shackle

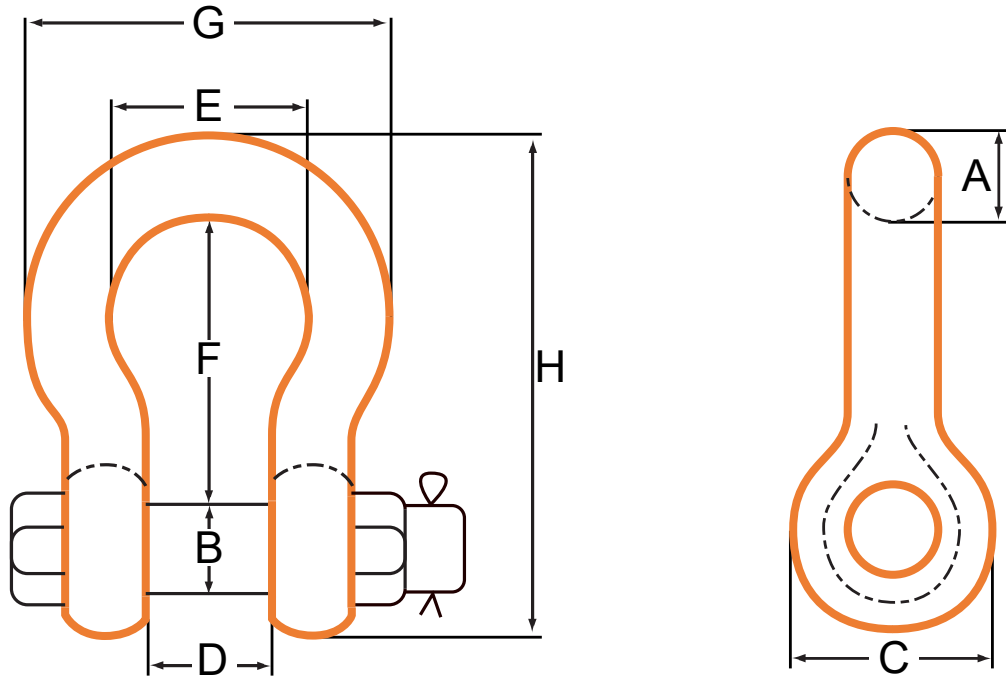


WLL	Weight	A	B	C	D	E	F	G	H
7	1.81	17.5	22.4	46.2	31.8	40.6	90.4	104	149
12.5	4.54	23.4	28.7	60.5	42.9	54.1	118	140	194
18	6.8	29.5	35.1	68.3	51.6	63.5	148	172	238
30	11.34	35.1	41.4	88.9	60.2	79.5	176	216	289
40	20.9	42.9	50.8	102	73.2	95.3	205	270	346
55	32.21	50.8	57.2	118	82.6	114	238	311	397
75	51	60.7	69.9	136	105	127	293	321	474
125	87	78.7	80.0	165	130	150	365	393	584
200	191	86.1	105	214	150	217	480	515	773
300	365	109	133	267	187	264	600	608	957
400	518	131	160	320	220	320	575	690	985
500	653	146	180	340	250	340	630	790	1085
600	967	158	200	394	275	370	700	865	1200
700	1170	167	215	433	300	400	735	940	1275
800	1372	185	230	449	325	420	750	975	1323
900	1712	198	250	478	350	440	757	1025	1387
1000	1850	212	270	508	380	460	760	1075	1405
1250	2588	233	300	573	432	530	930	1175	1660
1550	3650	282	320	616	465	580	1075	1316	1896

Weight unit is Kilograms. All measurements in mm. Measurements, weights, and drawings, are based on industry standards. Deviation margins need to be taken in mind, this is your own responsibility and not from Castle Hills AS.



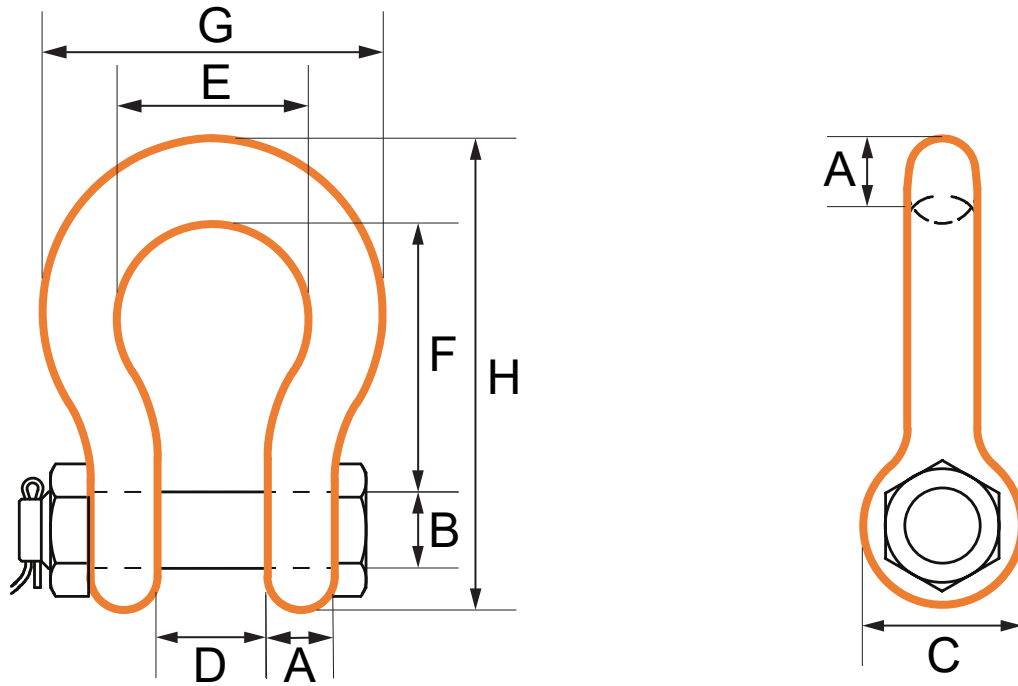
Safety Bow Shackle – Mooring Chain



WLL	Weight	A	B	C	D	E	F	G	H
2	0.36	13	16	30	21	33	48	59	84
3.25	0.62	16	19	38	27	43	61	75	106
4.75	1.23	19	22	46	32	51	72	89	126
6.5	1.79	22	25	53	37	58	84	102	148
8.5	2.28	25	29	61	43	69	96	119	167
9.5	3.75	29	32	69	46	74	108	131	190
12	5.31	32	35	76	52	83	119	146	210
13.5	7.18	35	38	84	57	92	133	162	233
17	8.62	38	41	92	61	99	146	175	254
25	15.4	45	51	106	73	127	178	225	313
35	23.7	51	57	122	83	146	197	253	348
55	44.6	67	70	145	105	184	267	327	453
85	70	76	83	165	127	200	330	365	546
120	120	92	96	203	133	229	372	419	626
150	153	104	108	229	140	254	368	468	653

Weight unit is Kilograms. All measurements in mm. Measurements, weights, and drawings, are based on industry standards. Deviation margins need to be taken in mind, this is your own responsibility and not from Castle Hills AS.

Mooring Chain – Crosby G2130 Shackle

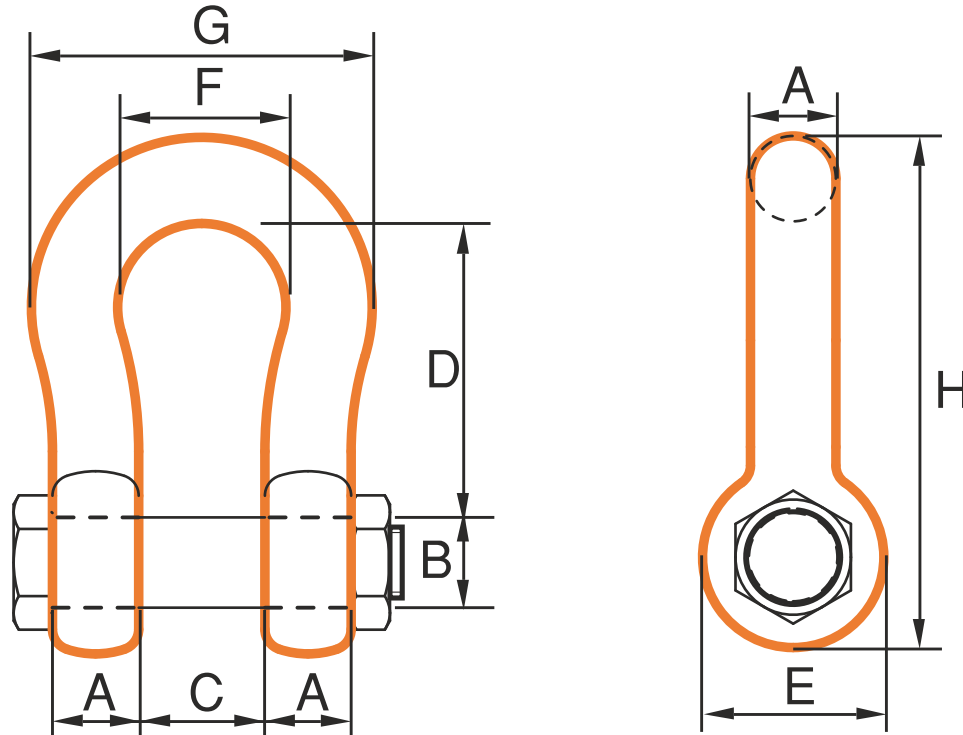


WLL	Weight	A	B	C	D	E	F	G	H
0.33	0.03	4.9	6.4	14.2	9.7	15.2	22.4	24.9	37.3
0.5	0.05	6.4	7.9	15.5	11.9	19.8	28.7	32.5	46.7
0.75	0.1	7.9	9.7	19.1	13.5	21.3	31.0	37.3	53.0
1	0.15	9.7	11.2	23.1	16.8	26.2	36.6	45.2	63.0
1.5	0.22	11.2	12.7	26.9	19.1	29.5	42.9	51.5	74.0
2	0.36	12.7	16.0	30.2	20.6	33.3	47.8	58.5	83.5
3.25	0.62	16.0	19.1	38.1	26.9	42.9	60.5	74.5	106
4.75	1.23	19.1	22.4	46.0	31.8	51.0	71.5	89.0	126
6.5	1.79	22.4	25.4	53.0	36.6	58.0	84.0	102	148
8.5	2.28	25.4	28.7	60.5	42.9	68.5	95.5	119	167
9.5	3.75	28.7	31.8	68.5	46.0	74.0	108	131	190
12	5.31	31.8	35.1	76.0	51.5	82.5	119	146	210
13.5	7.18	35.1	38.1	84.0	57.0	92.0	133	162	233
17	8.62	38.1	41.4	92.0	60.5	98.5	146	175	254
25	15.4	44.5	51.0	106	73.0	127	178	225	313
35	23.7	51.0	57.0	122	82.5	146	197	253	348
55	44.6	66.5	70.0	145	105	184	267	327	453
85	70	76.0	82.5	165	127	200	330	365	546
120	120	92.0	95.5	203	133	229	372	419	626
150	153	104	108	229	140	254	368	468	653

Weight unit is Kilograms. All measurements in mm. Measurements, weights, and drawings, are based on industry standards. Deviation margins need to be taken in mind, this is your own responsibility and not from Castle Hills AS.



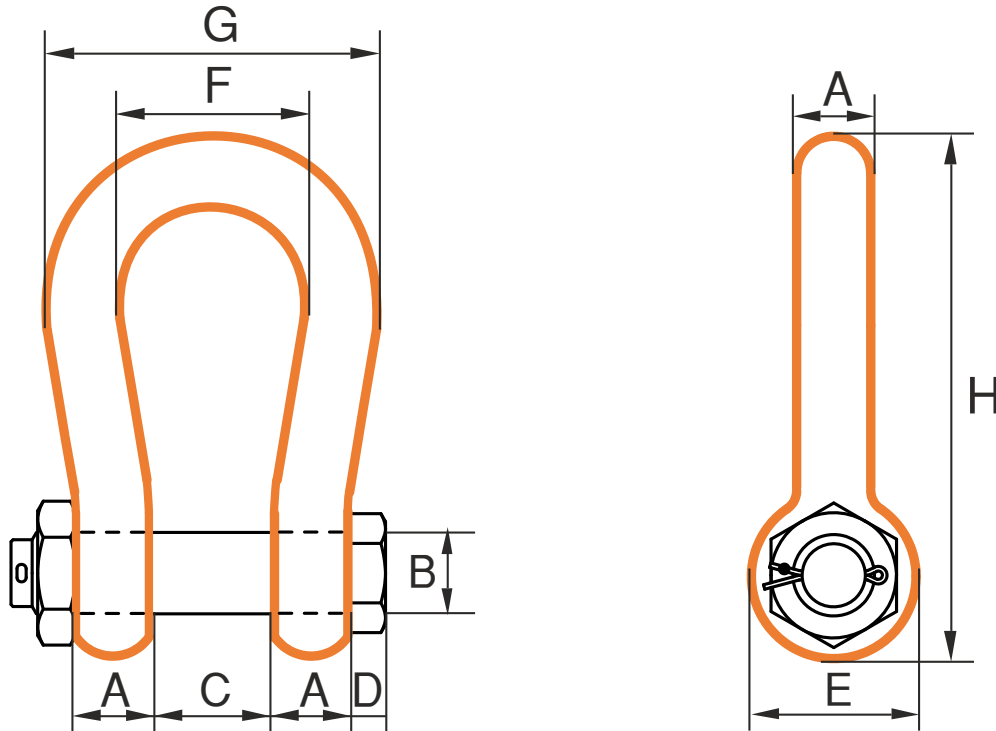
Mooring Shackle – Mooring Chain



WLL	Weight	A	B	C	D	E	F	G	H
0.33	0.02	5	6	10	22	12	16	26	36
0.5	0.06	7	8	12	29	17	20	34	49
0.75	0.11	9	10	14	32	20	22	40	56
1	0.16	10	11	17	37	23	26	46	64
1.5	0.22	11	13	19	43	27	29	51	74
2	0.42	14	16	22	51	34	32	58	89
3.25	0.74	16	19	27	64	40	43	75	110
4.75	1.2	19	22	31	76	46	51	89	129
6.5	1.8	22	25	36	83	52	58	102	144
8.5	2.6	25	28	43	95	59	68	118	164
9.5	3.7	28	32	47	108	66	75	131	185
12	4.9	32	35	51	115	72	83	147	201
13.5	6.5	35	38	57	133	80	92	162	227
17	8.2	38	42	60	146	88	99	175	249
25	14	45	50	74	178	103	126	216	300
35	20	50	57	83	197	111	138	238	331
42.5	28	57	65	95	222	130	160	274	377
55	40	65	70	105	260	145	180	310	433
85	62	75	83	127	329	162	190	340	527

Weight unit is Kilograms. All measurements in mm. Measurements, weights, and drawings, are based on industry standards. Deviation margins need to be taken in mind, this is your own responsibility and not from Castle Hills AS.

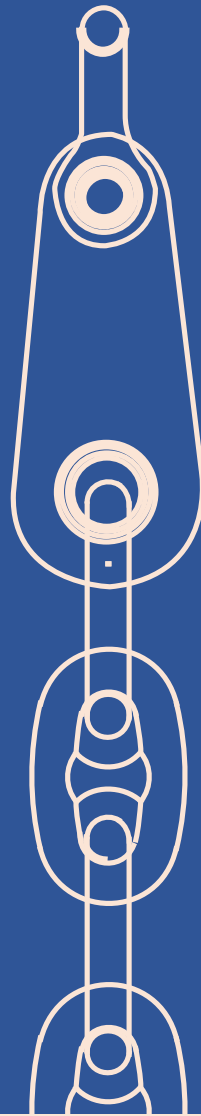
Mooring – Green Pin Bow Shackle



WLL	Weight	A	B	C	D	E	F	G	H
0.5	0.06	7	8	12	4	16	20	34	48
0.75	0.11	9	10	13.5	5	20	22	40	56
1	0.15	10	11	17	8	23	26	46	64
1.5	0.22	11	13	19	11	25	29	51	73
2	0.42	13.5	16	22	13	34	32	59	90
3.25	0.74	16	19	27	17	40	43	75	110
4.75	1.18	19	22	31	19	46	51	89	129
6.5	1.77	22	25	36	22	52	58	102	144
8.5	2.58	25	28	43	25	59	68	118	164
9.5	3.66	28	32	47	27	67	75	131	186
12	4.91	32	35	51	30	73	83	147	201
13.5	6.54	35	38	57	33	79	92	162	227
17	8.19	38	42	60	19	88	99	175	249
25	14.0	45	50	74	23	104	126	216	300
35	18.8	50	57	83	26	112	138	238	332
42.5	28.3	57	65	95	29	132	160	274	378
55	39.6	65	70	105	32	145	180	310	433
85	62.0	75	83	127	39	167	190	340	530

Weight unit is Kilograms. All measurements in mm. Measurements, weights, and drawings, are based on industry standards. Deviation margins need to be taken in mind, this is your own responsibility and not from Castle Hills AS.

Chafe Chain



Chafe Chain

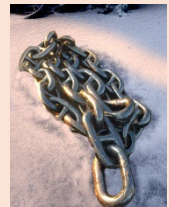
Regular **OCIMF**



The Chafe Chain is a type of chain used for towing. It is an important part of the decking equipment of ships, and is as well widely used in the offshore industry. The type of chafe chain used in the offshore is the OCIMF chain.

Buy or Rent

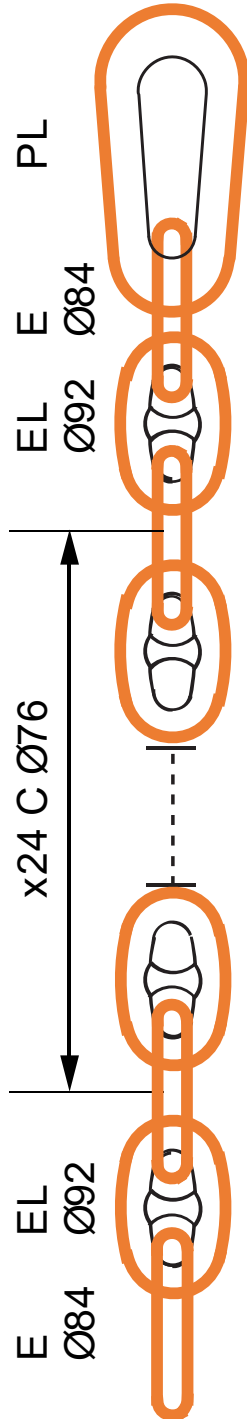
We have Chafe Chain for Sale, both First and Second Hand at our worldwide locations.



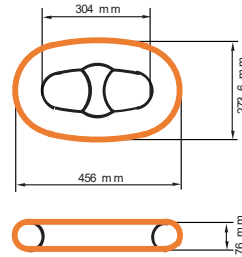
Weight unit is Kilograms. All measurements in mm. Measurements, weights, and drawings, are based on industry standards. Deviation margins need to be taken in mind, this is your own responsibility and not from Castle Hills AS.



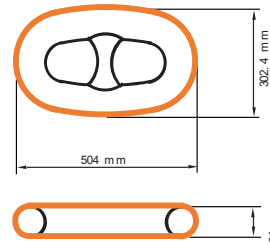
Chafe Chain – 76mm Grade 3



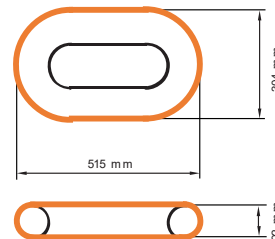
Common Link Ø76



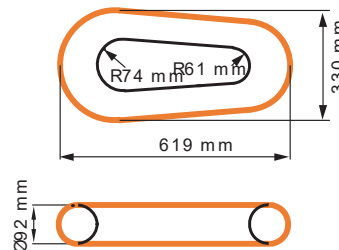
Enlarged Link Ø84



Special End Link Ø92

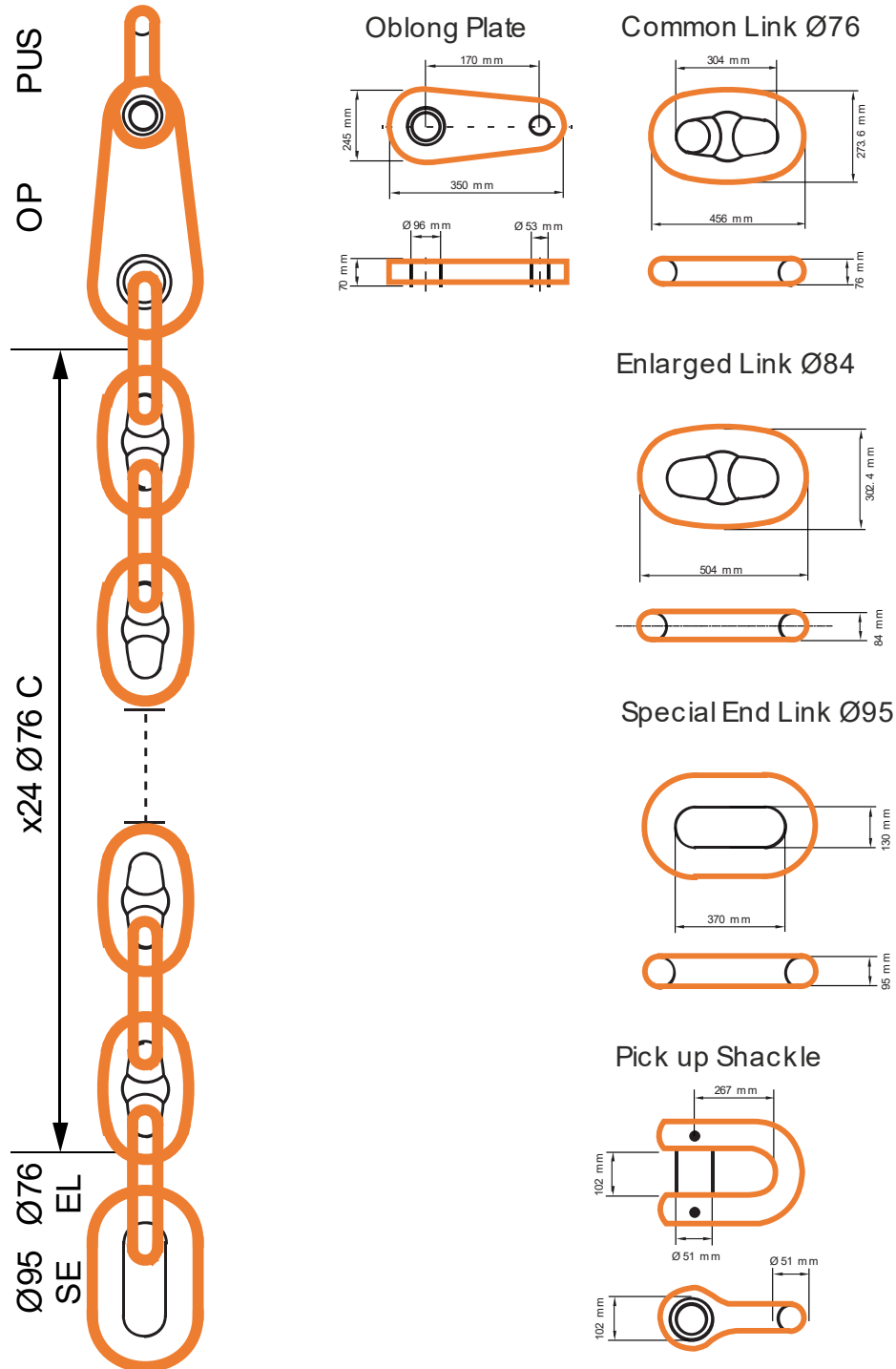


Pear Link



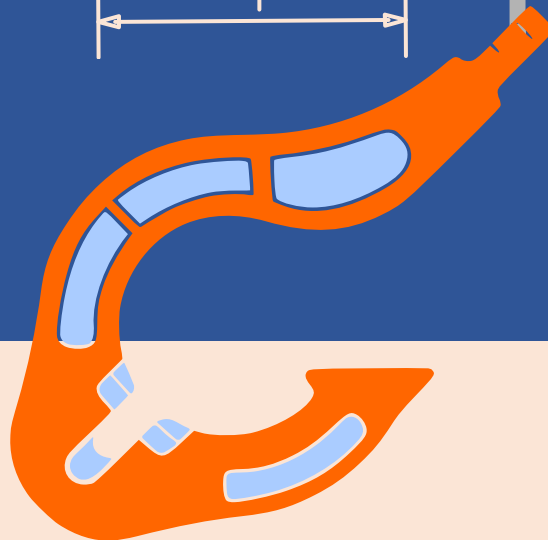
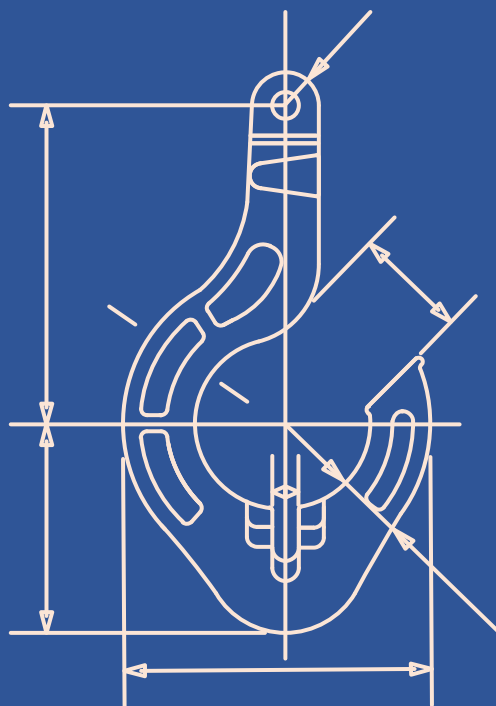
Weight unit is Kilograms. All measurements in mm. Measurements, weights, and drawings, are based on industry standards. Deviation margins need to be taken in mind, this is your own responsibility and not from Castle Hills AS.

76mm R4/R3 – OCIMF Chafe Chain



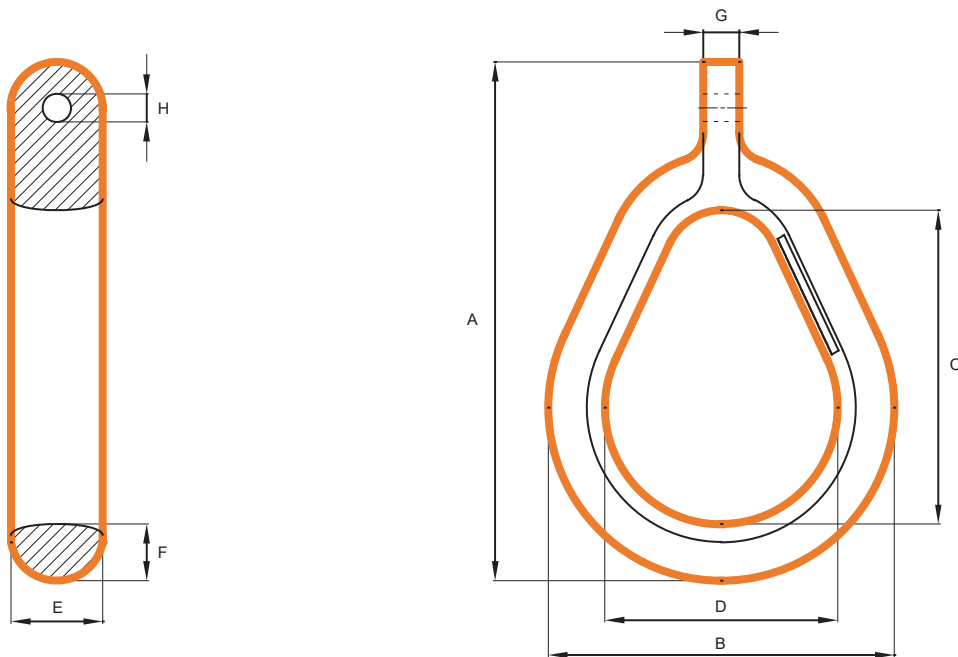
Weight unit is Kilograms. All measurements in mm. Measurements, weights, and drawings, are based on industry standards. Deviation margins need to be taken in mind, this is your own responsibility and not from Castle Hills AS.

Chasing Equipment



Chain Chasers – Permanent

For Long Term Mooring applications



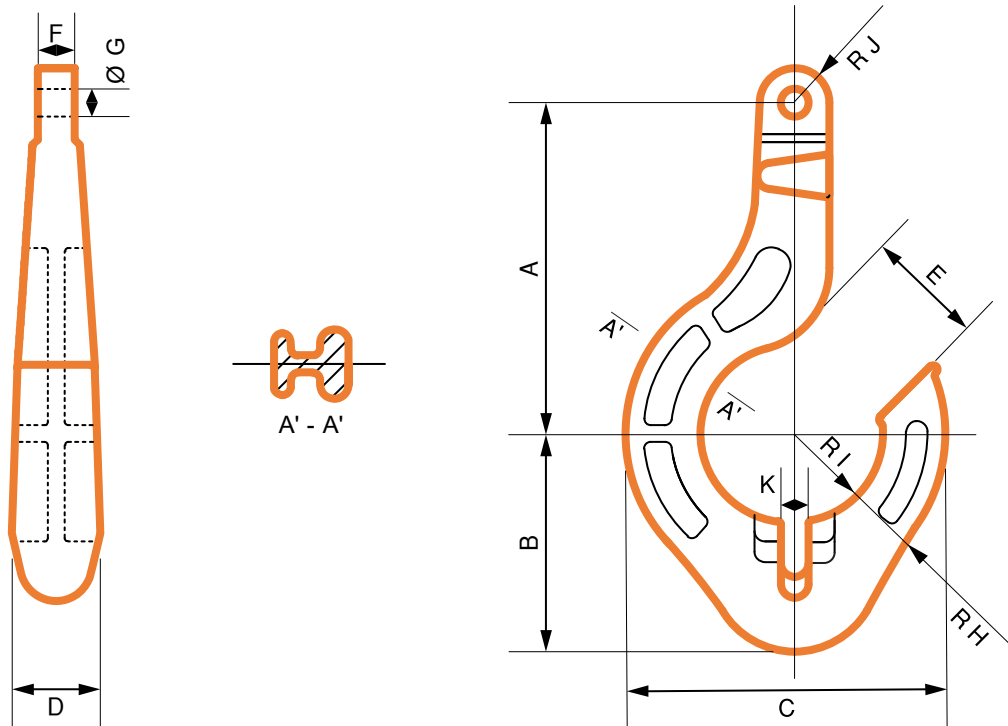
Type	SWL	Proof Load	Weight	A	B	C	D	E	F	G	H
100	130	250	1315	1582	1112	845	705	330	203	130	99
102	100	250	1084	1657	1143	991	762	305	191	124	86
106	130	250	1443	1702	1168	991	762	381	203	130	99
110	130	250	1433	1867	1245	1130	838	330	203	130	99
112	130	250	2064	2210	1385	1043	952	356	260	130	99
4110	250	400	2420	2040	1361	1095	804	406	280	178	144

Weight unit is Kilograms. All measurements in mm. Measurements, weights, and drawings, are based on industry standards. Deviation margins need to be taken in mind, this is your own responsibility and not from Castle Hills AS.



J-Lock – Chain Chasers

For mooring applications

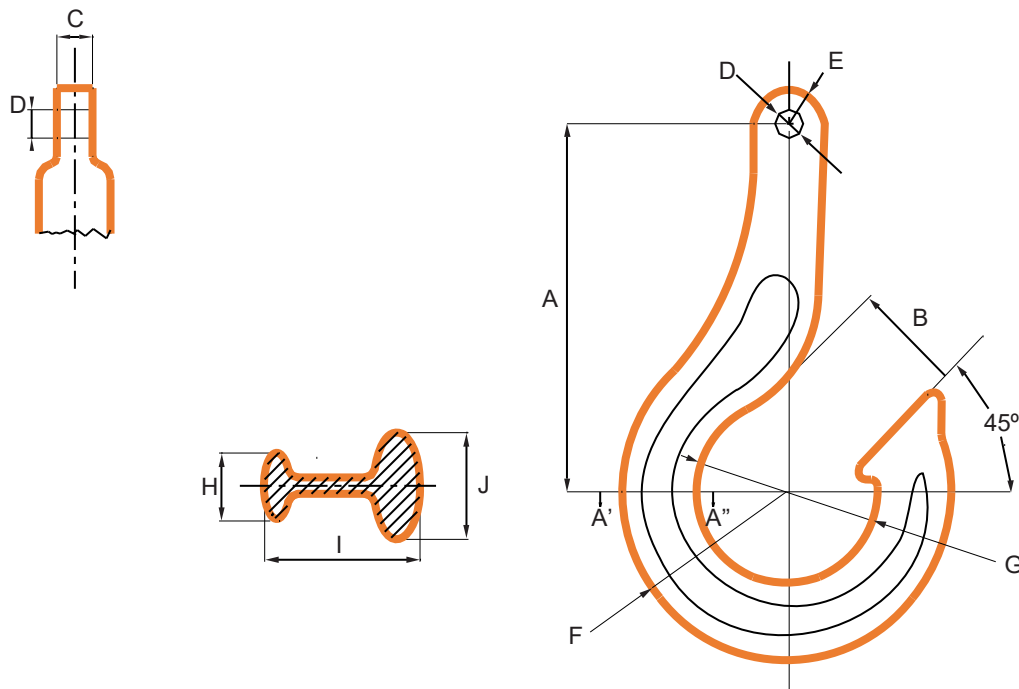


WLL	Weight	A	B	C	D	E	F	G	H	I	J	K
150	2300	1339	883	1295	420	476	149	112	648	714	140	111
250	2700	1575	1041	1528	530	546	175	132	765	840	165	130

Weight unit is Kilograms. All measurements in mm. Measurements, weights, and drawings, are based on industry standards. Deviation margins need to be taken in mind, this is your own responsibility and not from Castle Hills AS.

Chain Chasers – J-Type

For mooring applications



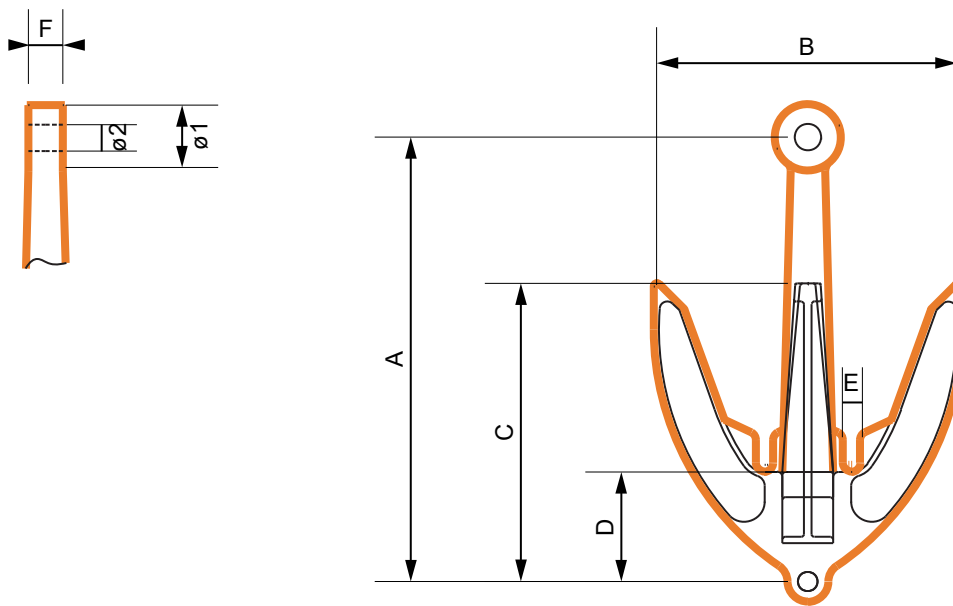
WLL	Weight	A	B	C	D	E	F	G	H	I
110	1702	546	121	Ø99	R146	R762	Ø845	178	430	305
130	1702	546	121	Ø99	R146	R762	Ø845	178	430	305
150	1828	584	130	Ø102	R146	R822	Ø914	178	460	330
250	1575	546	175	Ø132	R175	R762	Ø845	203	430	330

Weight unit is Kilograms. All measurements in mm. Measurements, weights, and drawings, are based on industry standards. Deviation margins need to be taken in mind, this is your own responsibility and not from Castle Hills AS.



Grapple Hook – Chain Chasers

APAC Type. For mooring applications

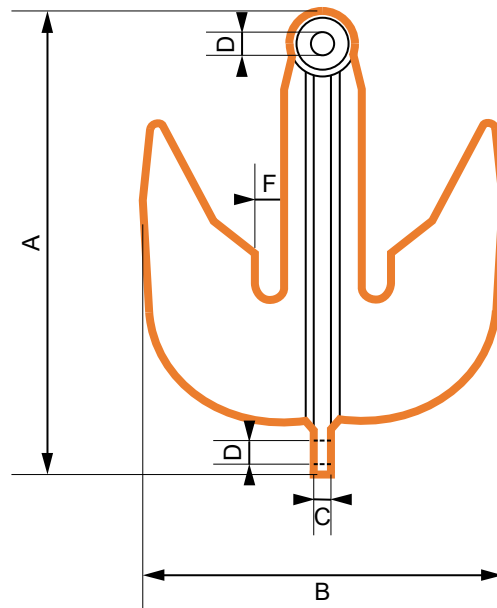
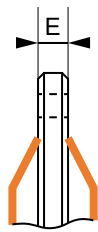


SWL	Proof Load	A	B	C	D	E	F	Ø1	Ø2
130	250	2153	1537	1422	483	102	124	203	99
150	250	2153	1537	1422	483	102	130	230	102
250	350	2153	1537	1430	483	107	172	330	132

Weight unit is Kilograms. All measurements in mm. Measurements, weights, and drawings, are based on industry standards. Deviation margins need to be taken in mind, this is your own responsibility and not from Castle Hills AS.

Chain Chasers – Grapnel Hook

For mooring applications



Type	SWL	Proof Load	Weight	A	B	C	D	E	F
99	50	80	400	1306	883	82	90	82	80
109	100	150	1351	1372	1178	75	98	135	108
129	200	270	1850	1822	1499	90	114	130	108
139	250	350	2630	1994	1676	100	144	190	127

Weight unit is Kilograms. All measurements in mm. Measurements, weights, and drawings, are based on industry standards. Deviation margins need to be taken in mind, this is your own responsibility and not from Castle Hills AS.





Yokohama



Sling



D Fenders



Foam



Submarine



Roller



Cylinder



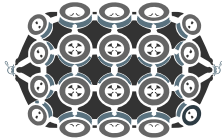
Arch



PVC



Maritime Fenders

Yokohama**Sling****D****Foam****U-Boat****Roller****Cylinder****Arch****Buy or Rent**

Buy or rent maritime fenders from us.

**In Stock**Maritime Fenders in Stock in Norway,
Europe, and Asia Pacific locations.



D Fender – World Record

April 2024, we had a challenge: Our customer wasn't satisfied with any sizes of D Fenders, they needed something greater. As one would do in this scenario, we decided to build the biggest D Fender in the World.

Designing a World Record Fender

Nobody else in the World had ever built such a large D Fender, we had to design our own based on experience and trust on engineering.

Record Speed Delivery

Not only we were beating records of size, but also delivery speed: We completed the project in merely months, and delivered right on time.

The Final Result

Our own World Record Fender lays today in a Norwegian harbor, serving large vessels coming from the North Sea.





1770

UIC



Aqua



Modular



Surface



Navigation



CALM



Subsea



Sphere



Donut



Mooring



Installation – Custom-Made Buoys

These buoys are used every day by cruise ships and ferries. They showcase the stunning Norwegian landscape to thousands of tourists every day. And they needed new ones.

Installing the New Surface Buoys

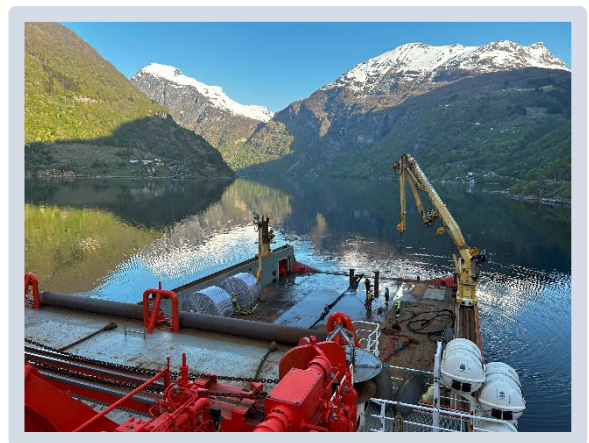
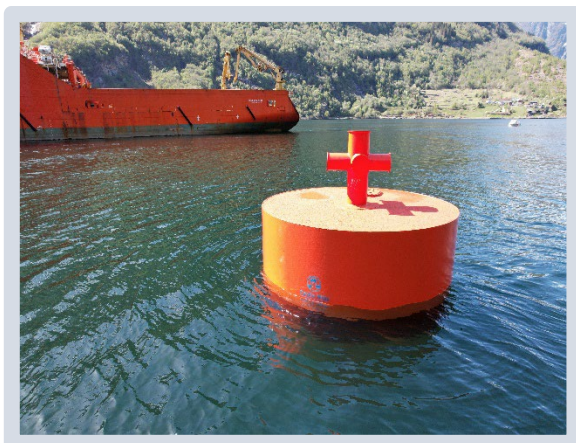
We have arranged the installation using an offshore operations vessel OSV. We have installed the three buoys in less than a day.

Decommissioning the Old Buoys

The old buoys that we have replaced have been decommissioned according to industry standards, in less than 24 hours.

Final Result after the Installation

These are the surface buoys from Castle Hills AS floating in the Norwegian Fjords of Geiranger. They are foam filled and steel coated.



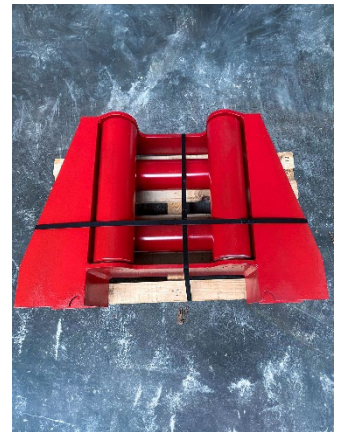




Chocks



Bollards



Rollers



Stoppers



Chafe



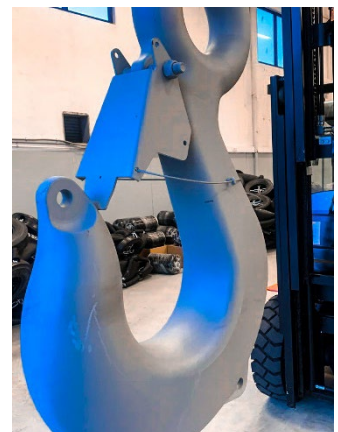
Triplates



Brackets



Chasers



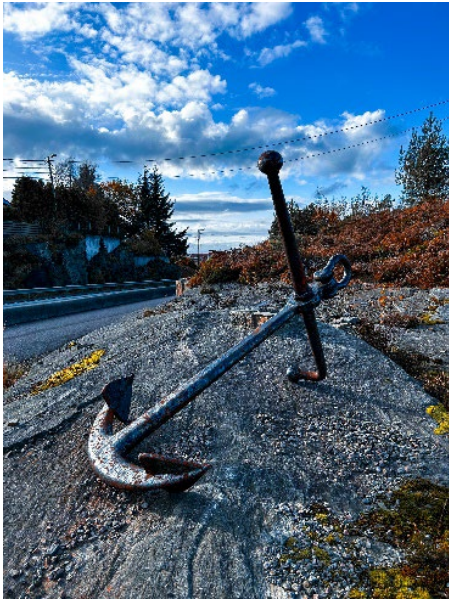
Hooks



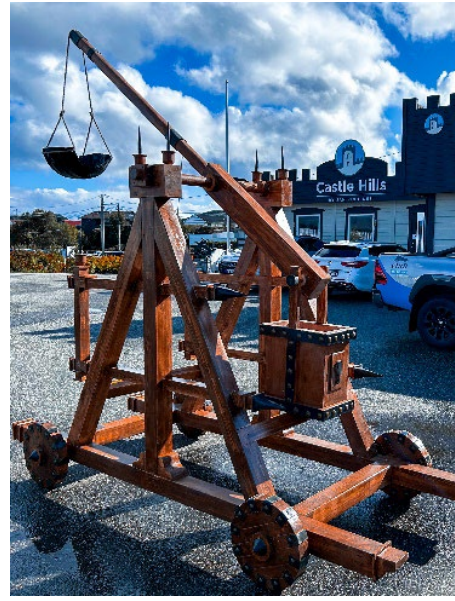
Castle Hills

BY JAN VINDENES

KB 45978



**Admiralty
Anchors**



**Catapults
Trebuchets**



**M - Light
Houses**



**XL - Light
Houses**

2nd Edition 2025



**Head Office
NORWAY**

✉ Castle@CastleHills.no



**South Asia
PHILIPPINES**

✉ Manila@CastleHills.no



**Central Asia
CHINA**

✉ Shanghai@CastleHills.no



**America
USA**

✉ Houston@CastleHills.as



**Middle East
UAE**

✉ Dubai@CastleHills.as



**Europe
NETHERLANDS**

✉ Rotterdam@CastleHills.no

www.CastleHills.no



Castle Hills

BY JAN VINDENES