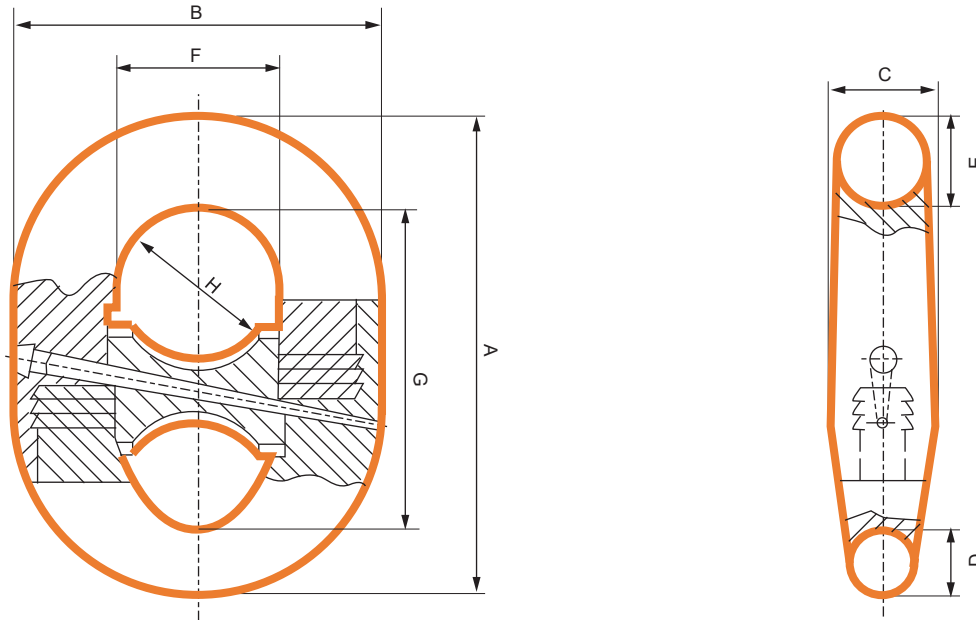




Anchor Kenter Shackle – EU Type



Chain Ø	A	B	C	D	E	F	G	H
76	619	412	130	83	106	175	430	160
84	685	455	141	90	118	193	477	180
89	725	482	152	98	125	205	502	190
95	745	510	163	98	130	217	517	200
120	978	650	205	132	168	276	678	260

Weight unit is Kilograms. All measurements in mm. Measurements, weights, and drawings, are based on industry standards. Deviation margins need to be taken in mind, this is your own responsibility and not from Castle Hills AS.