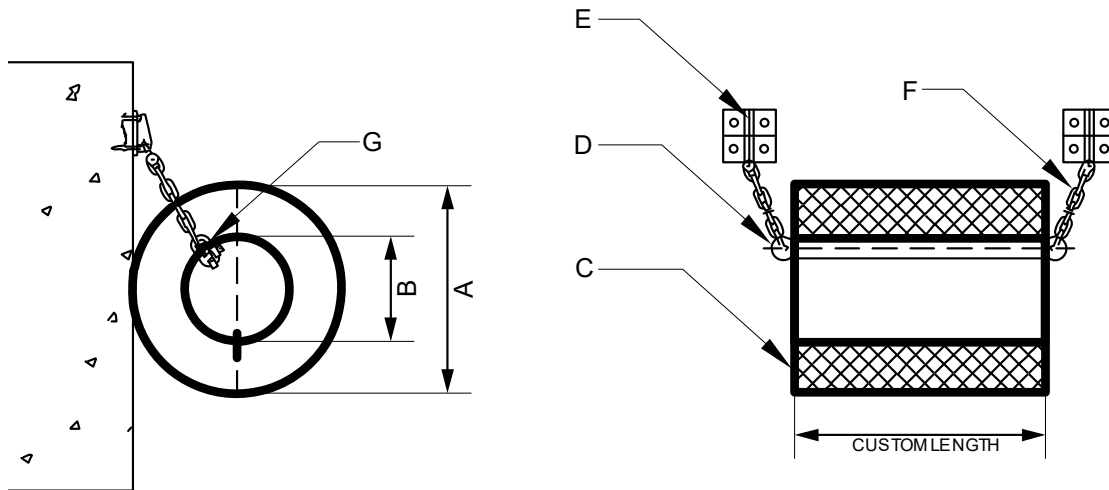




## Cylindrical Fender – Other Fenders



A	B	C	D	E	F	G
Outer Dia	Inner Dia	Fender Body	Steel Bar	Brackets	Chain	Shackle
mm	mm	Rubber	Steel	Steel	Steel	Steel
590	300	1	1	2	2	4
1000	500					
1200	600					
1400	700					
1500	500					

CUSTOM SIZES AVAILABLE – This list contains the most commonly used sizes

Weight unit is Kilograms. All measurements in mm. Measurements, weights, and drawings, are based on industry standards. A size tolerance of 5%, and other possible deviation margins need to be taken in mind.