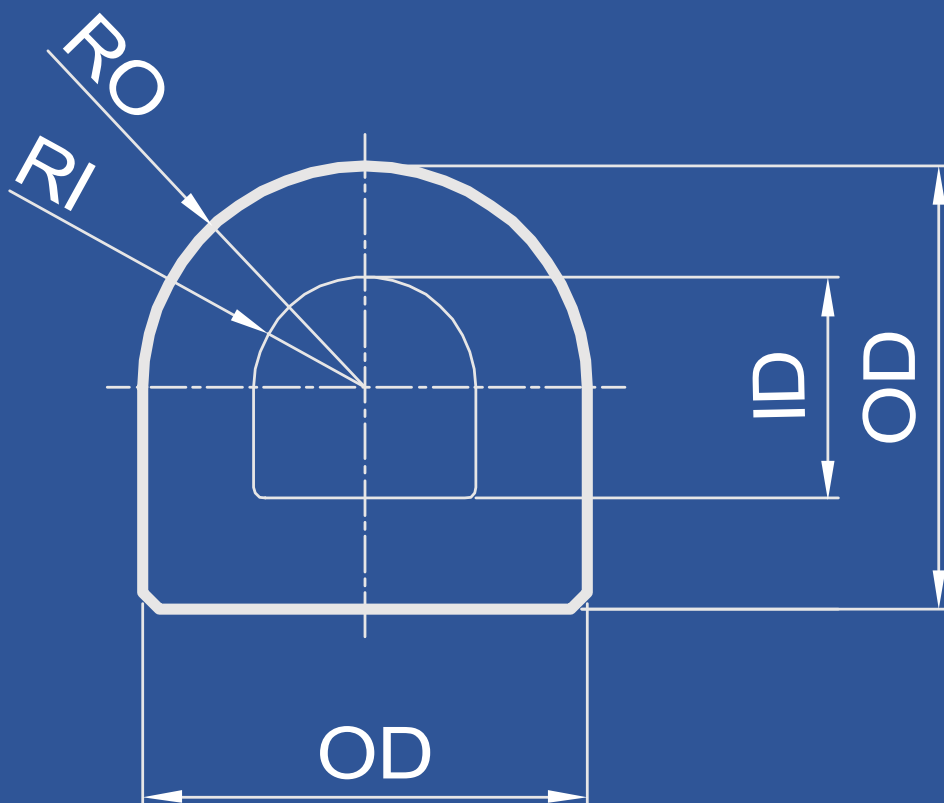
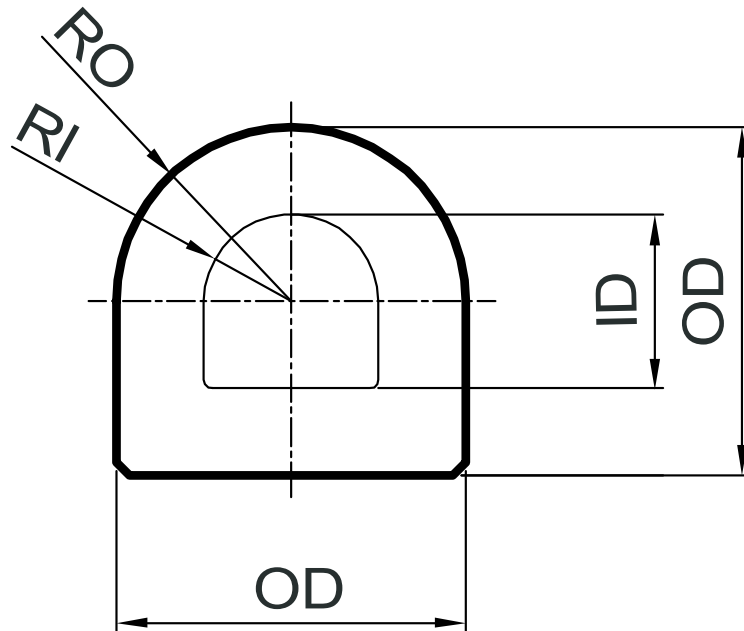


D - TYPE FENDERS



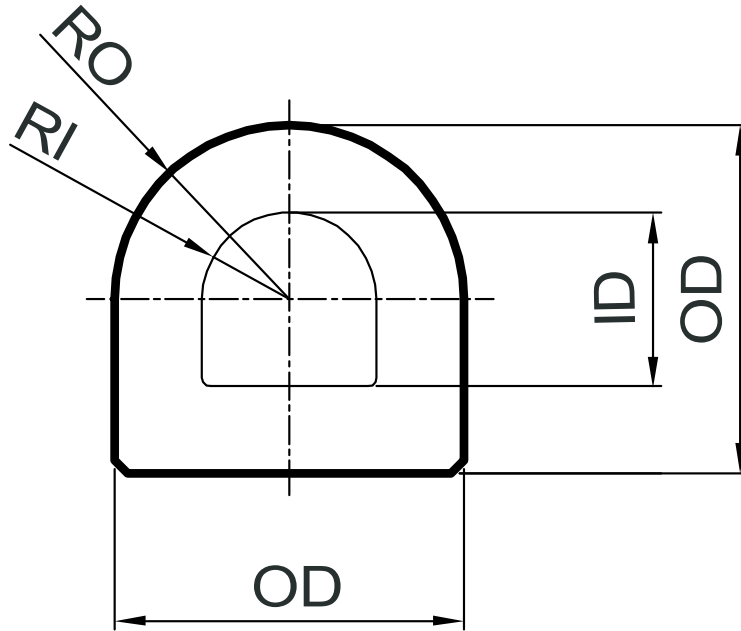
DD Fender – D Fenders



OD	ID	RO	RI	Weight	Info	Value
mm	mm	mm	mm	Kg/m		
100 x 100	50	50	25	8	Material	Natural Rubber
125 x 125	62.5	62.5	31.25	13	Hardness	Max. 78 Shore A
150 x 150	75	75	37.5	18	OD Tolerance	± 5%
200 x 200	100	100	50	32	ID Tolerance	± 10%
250 x 250	125	125	62.5	50	Length Tolerance	± 30 mm
300 x 300	150	150	75	72	Performance Tol.	± 20%
350 x 350	175	175	87.5	98		
380 x 380	190	190	95	116		
400 x 400	200	200	100	129		
500 x 500	250	250	125	201		
650 x 650	325	325	162.5	353		



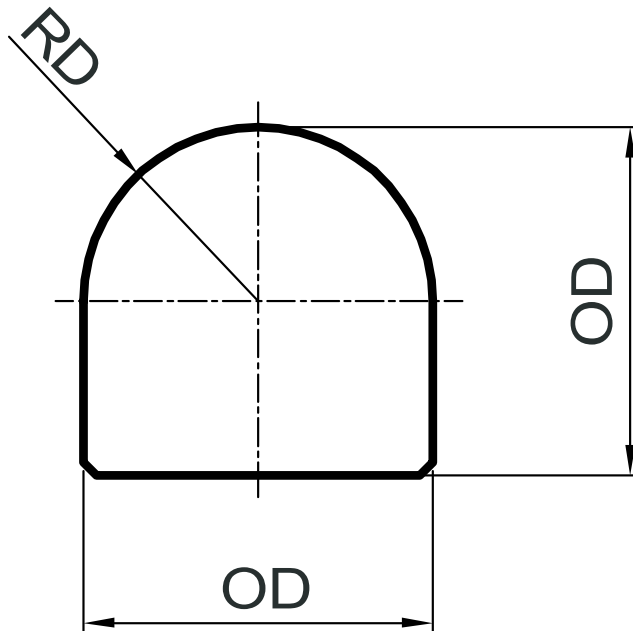
DO Fender – D Fenders



OD	ID	RO	RI	Weight	Info	Value
mm	mm	mm	mm	Kg/m		
100 x 100	50	50	25	8.4	Material	Natural Rubber
125 x 125	62.5	62.5	31.25	15.8	Hardness	Max. 78 Shore A
150 x 150	75	75	37.5	19	OD Tolerance	± 5%
200 x 200	100	100	50	33	ID Tolerance	± 10%
250 x 250	125	125	62.5	52	Length Tolerance	± 30 mm
300 x 300	150	150	75	75	Performance Tol.	± 20%
350 x 350	175	175	87.5	102		
400 x 400	200	200	100	134		
500 x 500	250	250	125	209		

Weight unit is Kilograms. All measurements in mm. Measurements, weights, and drawings, are based on industry standards, and at 60% compression. A size tolerance of 5%, and other possible deviation margins need to be taken in mind.

DS Fender – D Fenders



OD	RO	Weight	Info	Value
mm	mm	Kg/m	Material	Natural Rubber
100 x 100	50	11	Hardness	Max. 78 Shore A
125 x 125	62.5	19	OD Tolerance	± 5%
150 x 150	75	24.8	ID Tolerance	± 10%
200 x 200	100	44.2	Length Tolerance	± 30 mm
250 x 250	125	69	Performance Tol.	± 20%
300 x 300	150	99.4		
350 x 350	175	135.2		
400 x 400	200	176.6		
450 x 450	200	226		
500 x 500	250	280		