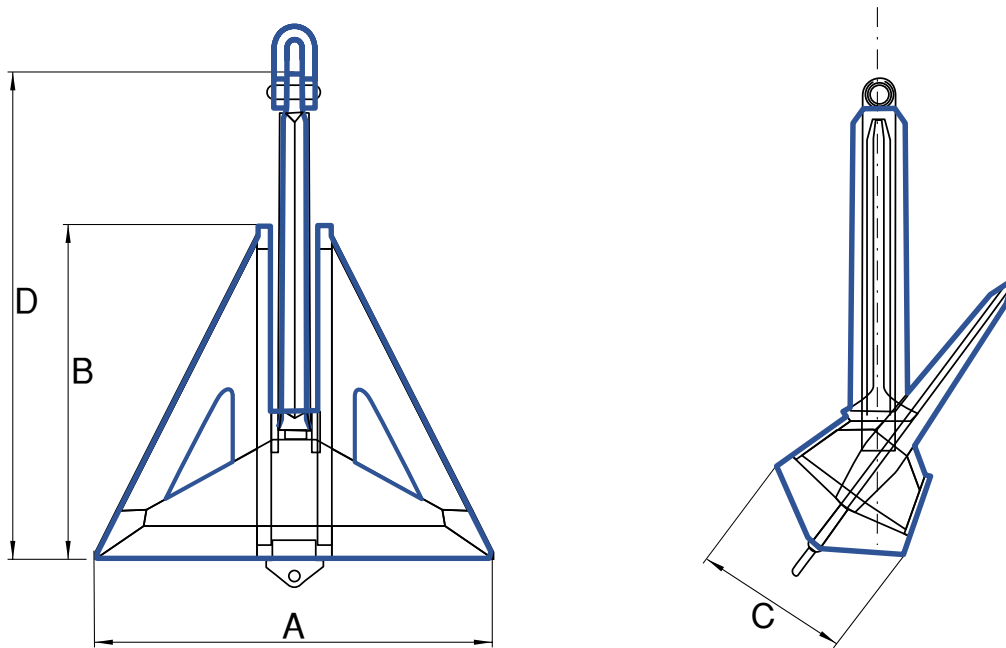




Flipper Delta – Offshore Anchors



Weight	A	B	C	D
500	1500	1200	570	1800
1000	1960	1560	740	2305
2000	2470	2000	930	2960
3000	2830	2285	1070	3380
5000	3300	2660	1260	3945
7000	3750	2995	1405	4440
7500	3850	3080	1435	4565
9000	4130	3320	1550	4925
10000	4270	3400	1600	5040
12000	4530	3600	1705	5335
15000	4845	3875	1830	5735
22500	5490	4360	2060	6470
40000	6650	5290	2480	7850
50000	7150	5690	2670	8440
60000	7600	6040	2830	9000
75000	8200	6560	3100	9430

Weight unit is Kilograms. All measurements in mm. Measurements, weights, and drawings, are based on industry standards. Deviation margins need to be taken in mind, this is your own responsibility and not from Castle Hills AS.