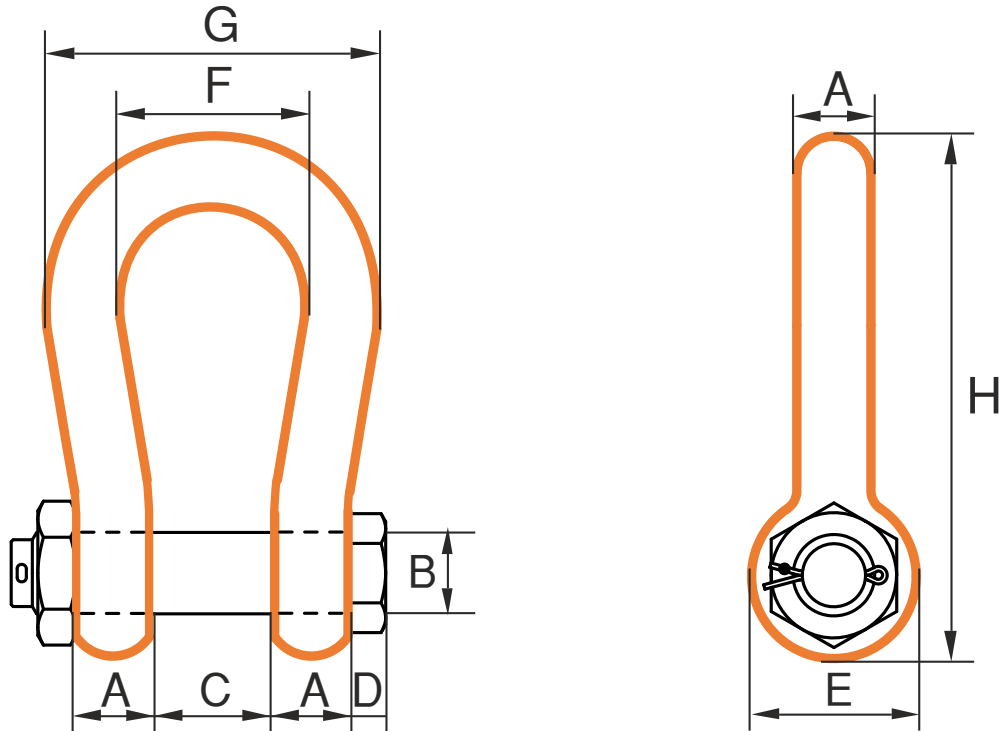




Green Pin Bow Shackle – Mooring



WLL	Weight	A	B	C	D	E	F	G	H
0.5	0.06	7	8	12	4	16	20	34	48
0.75	0.11	9	10	13.5	5	20	22	40	56
1	0.15	10	11	17	8	23	26	46	64
1.5	0.22	11	13	19	11	25	29	51	73
2	0.42	13.5	16	22	13	34	32	59	90
3.25	0.74	16	19	27	17	40	43	75	110
4.75	1.18	19	22	31	19	46	51	89	129
6.5	1.77	22	25	36	22	52	58	102	144
8.5	2.58	25	28	43	25	59	68	118	164
9.5	3.66	28	32	47	27	67	75	131	186
12	4.91	32	35	51	30	73	83	147	201
13.5	6.54	35	38	57	33	79	92	162	227
17	8.19	38	42	60	19	88	99	175	249
25	14.0	45	50	74	23	104	126	216	300
35	18.8	50	57	83	26	112	138	238	332
42.5	28.3	57	65	95	29	132	160	274	378
55	39.6	65	70	105	32	145	180	310	433
85	62.0	75	83	127	39	167	190	340	530

Weight unit is Kilograms. All measurements in mm. Measurements, weights, and drawings, are based on industry standards. Deviation margins need to be taken in mind, this is your own responsibility and not from Castle Hills AS.