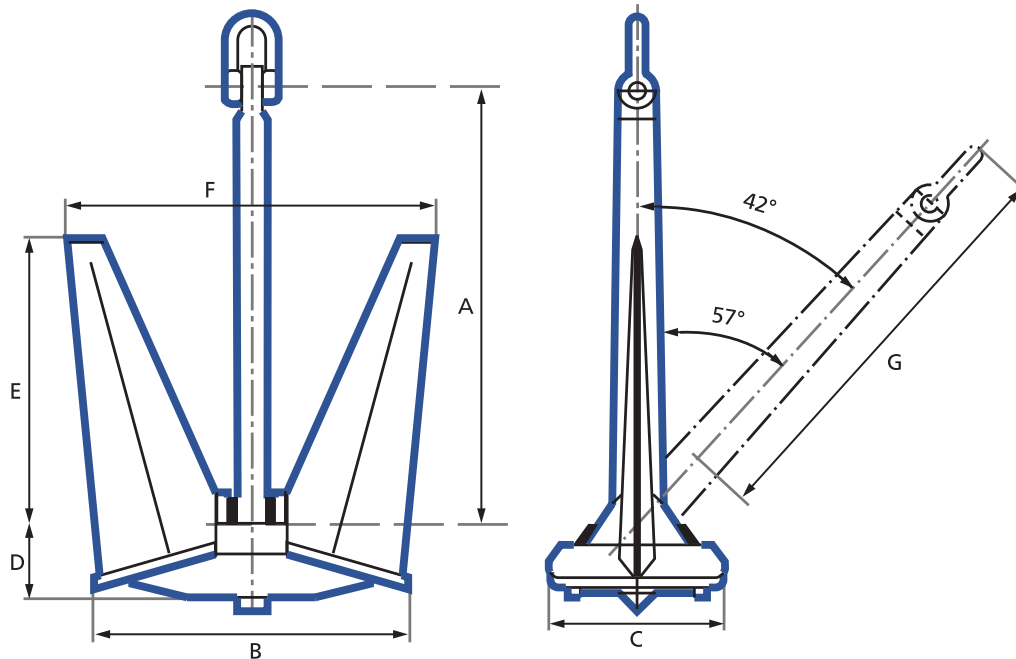




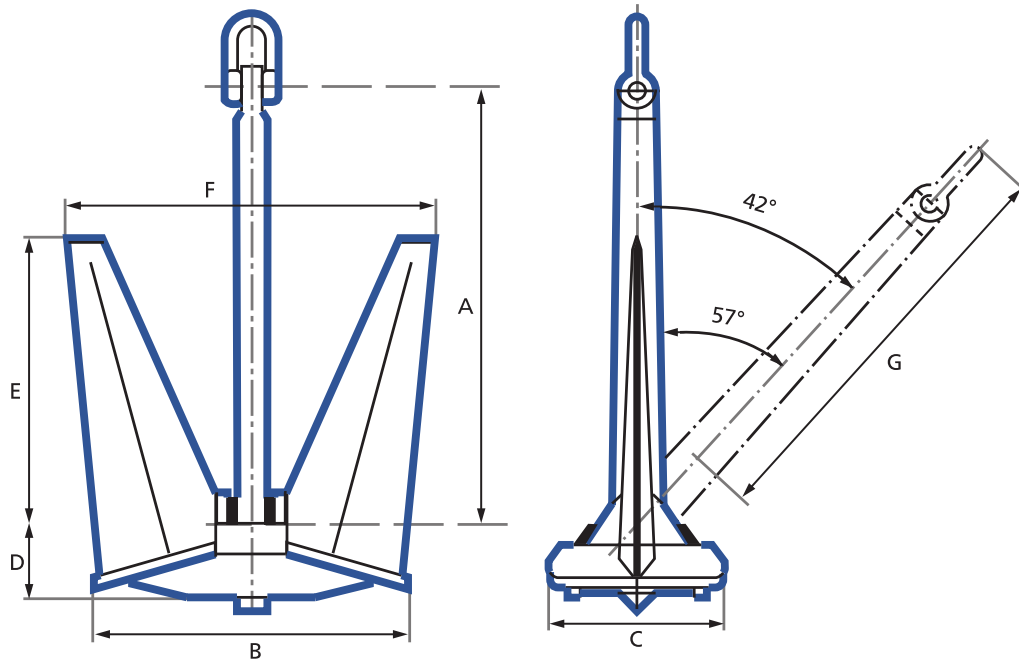
## N HHP – High Holding Power



Weight	A	B	C	D	E	F
20	455	325	185	75	300	385
30	521	372	212	86	344	441
40	570	410	235	95	370	480
50	614	442	253	102	398	517
60	655	470	270	110	425	555
70	689	492	282	115	450	583
80	720	515	295	120	470	610
100	775	555	320	130	505	655
135	825	595	340	135	540	700
180	905	650	370	150	590	765
225	1040	745	425	175	680	880
270	1090	780	450	180	715	925
315	1140	820	470	190	748	965
360	1190	855	490	195	780	1005
430	1270	910	520	210	830	1075
495	1305	940	535	215	855	1105
585	1410	1010	580	235	920	1195
675	1440	1035	590	240	940	1220
765	1528	1096	615	250	1000	1290
855	1550	1115	635	255	1015	1310
970	1615	1160	665	270	1055	1365
1080	1670	1200	670	275	1090	1410

Weight unit is Kilograms. All measurements in mm. Measurements, weights, and drawings, are based on industry standards. Deviation margins need to be taken in mind, this is your own responsibility and not from Castle Hills AS.

# High Holding Power – N HHP

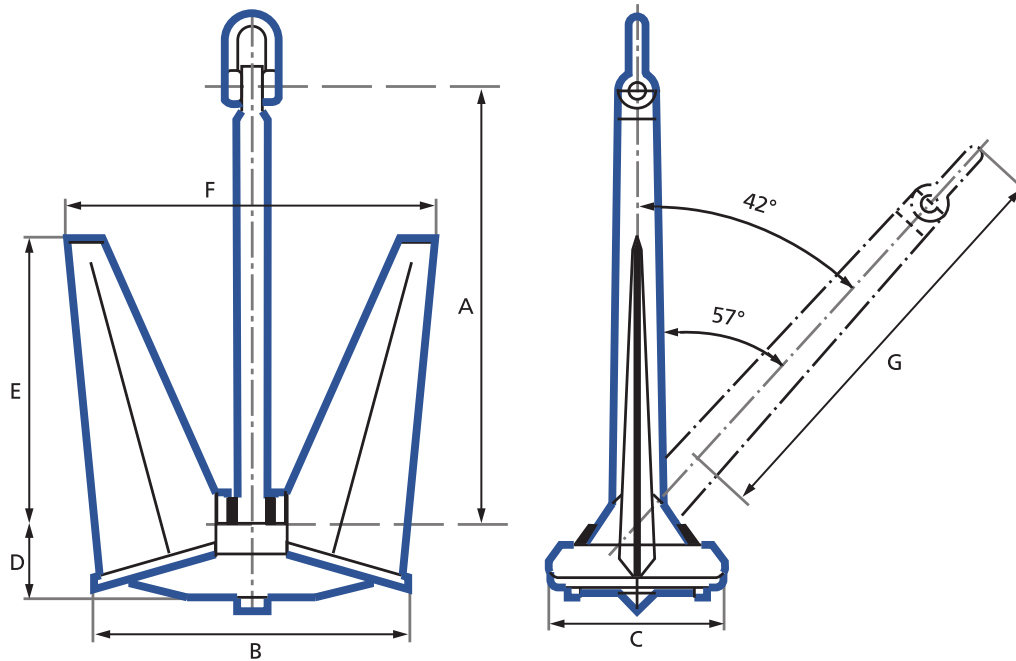


Weight	A	B	C	D	E	F
1195	1636	1270	708	436	1010	1485
1305	1800	1290	740	300	1175	1525
1440	1910	1370	765	315	1250	1615
1575	1769	1385	777	472	1092	1640
1710	2015	1445	775	335	1320	1705
1845	1890	1469	819	504	1168	1729
1980	2080	1500	780	345	1370	1770
2140	1986	1543	860	530	1226	1816
2295	2105	1570	812	350	1430	1850
2475	2240	1620	839	350	1510	1910
2655	2140	1684	926	566	1322	1954
2835	2320	1650	855	350	1510	1980
3240	2390	1700	885	360	1560	2040
3445	2470	1760	910	380	1610	2110
3940	2580	1820	945	390	1670	2190
4210	2650	1880	980	400	1730	2260
4500	2553	1976	1103	675	1576	2328
4840	2730	1950	1010	420	1780	2330
5175	2820	2010	1040	430	1840	2410
5515	2730	2116	1180	722	1686	2491
5850	2910	2080	1080	450	1900	2490
6225	2838	2204	1229	756	1750	2594

Weight unit is Kilograms. All measurements in mm. Measurements, weights, and drawings, are based on industry standards. Deviation margins need to be taken in mind, this is your own responsibility and not from Castle Hills AS.



## N HHP – High Holding Power



Weight	A	B	C	D	E	F
6525	3010	2150	1110	460	1980	2570
6975	3110	2220	1150	470	2030	2660
7425	3010	2338	1303	802	1858	2760
7875	3250	2290	1190	480	2100	2750
8775	3320	2370	1225	510	2160	2840
9225	3235	2512	1401	862	1997	2968
9675	3430	2450	1270	520	2240	2930
10125	3337	2592	1445	890	2060	3060
10575	3550	2530	1310	540	2310	3030
11550	3670	2610	1355	560	2390	3130
12075	3538	2748	1533	943	2184	3236
12675	3790	2700	1400	580	2470	3240
13350	3658	2842	1585	975	2258	3346
14100	3920	2790	1450	600	2550	3350
15000	4030	2880	1490	610	2630	3450
17250	4150	2960	1540	630	2710	3550

Weight unit is Kilograms. All measurements in mm. Measurements, weights, and drawings, are based on industry standards. Deviation margins need to be taken in mind, this is your own responsibility and not from Castle Hills AS.