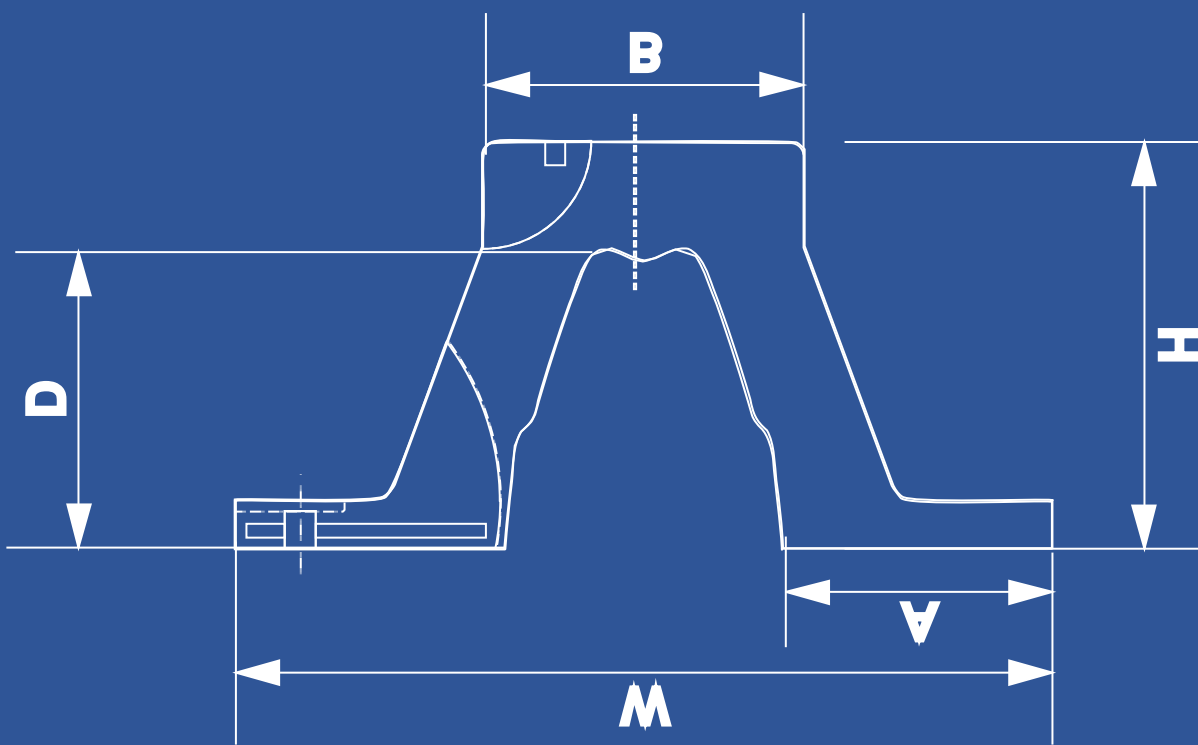
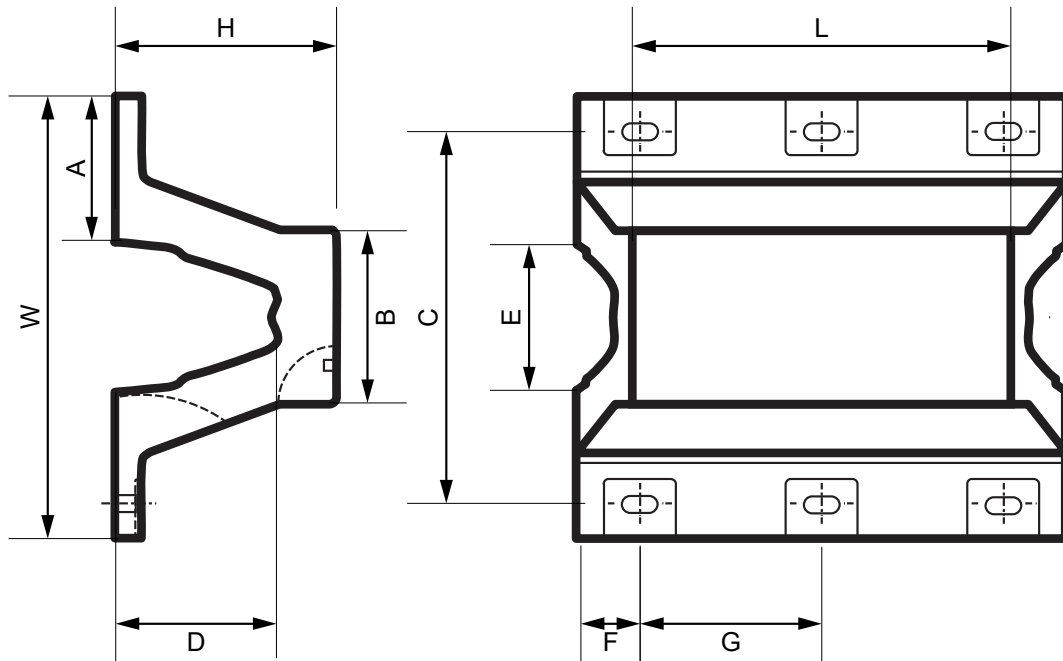


OTHER FENDERS



Arch Fender – Other Fenders

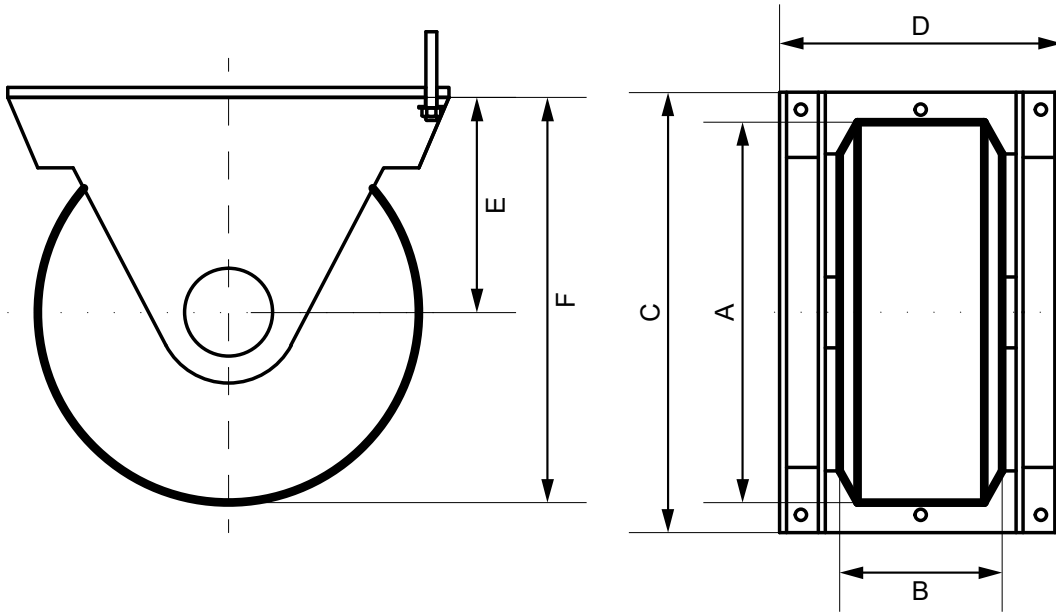


H x W	L	A	B	C	D x E	F / 1m	G / 1m	Weight / 1m
250 x 500	1000	178	200	400	58 x 29	113	900	88
300 x 600	1000	213	240	480	70 x 35	125	900	122
400 x 800	1000	285	320	640	82 x 41	150	900	206
500 x 1000	1000	358	400	800	82 x 41	175	900	332
600 x 1200	1000	425	480	960	94 x 47	200	900	476
800 x 1500	1000	520	640	1300	100 x 50	250	900	840
1000 x 1800	1000	610	800	1550	100 x 50	300	900	1363

Weight unit is Kilograms. All measurements in mm. Measurements, weights, and drawings, are based on industry standards. A size tolerance of 5%, and other possible deviation margins need to be taken in mind.



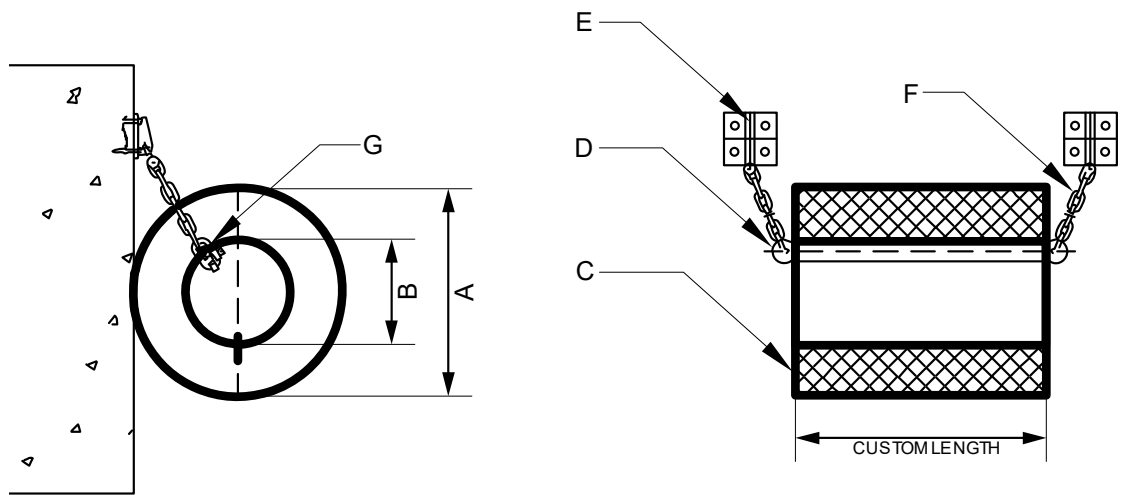
Roller Fender – Other Fenders



A	B	C	D	E	F
600	255	693	444	339	639
750	319	867	556	424	799
900	382	1040	667	508	958
1200	510	1387	889	678	1278
1500	637	1733	1111	847	1597
1800	765	2080	1333	1017	1916
2100	892	2427	1556	1186	2236
2400	1020	2774	1778	1356	2555
2700	1147	3120	2000	1525	2875
3000	1275	3467	2222	1695	3194

Weight unit is Kilograms. All measurements in mm. Measurements, weights, and drawings, are based on industry standards. A size tolerance of 5%, and other possible deviation margins need to be taken in mind.

Cylindrical Fender – Other Fenders



A	B	C	D	E	F	G
Outer Dia	Inner Dia	Fender Body	Steel Bar	Brackets	Chain	Shackle
mm	mm	Rubber	Steel	Steel	Steel	Steel
590	300	1	1	2	2	4
1000	500					
1200	600					
1400	700					
1500	500					

CUSTOM SIZES AVAILABLE – This list contains the most commonly used sizes

Weight unit is Kilograms. All measurements in mm. Measurements, weights, and drawings, are based on industry standards. A size tolerance of 5%, and other possible deviation margins need to be taken in mind.