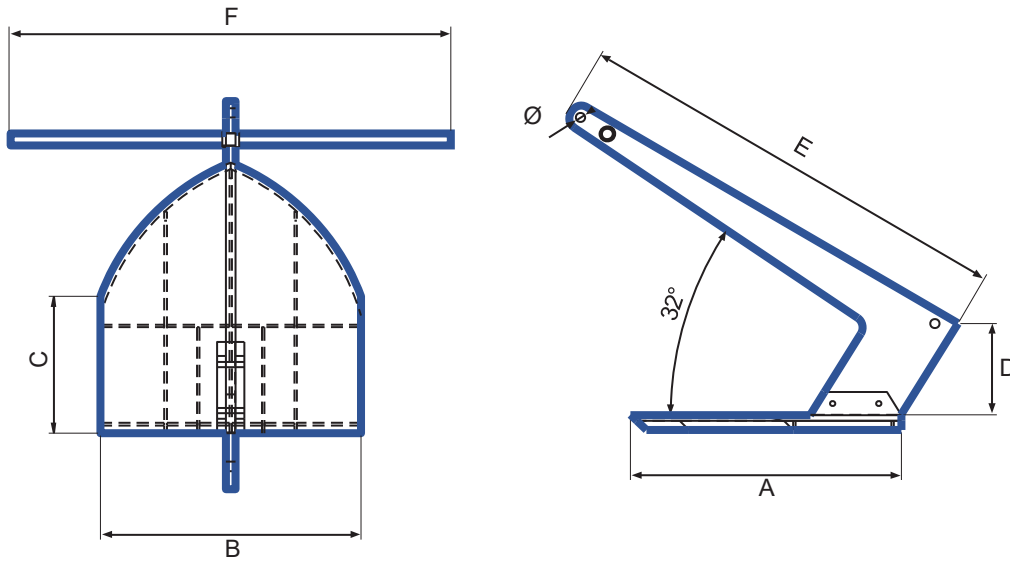




Sandig – Plough Anchors



Weight	A	B	C	D	E	F	Ø
300	1030	945	550	393	1650	1650	50
500	1290	1220	650	440	2100	2100	50
700	1400	1280	700	492	2350	2350	60
1000	1560	1480	780	551	2590	2590	60
1500	1760	1690	890	594	2865	2865	60
2000	1970	1840	940	712	3000	3000	75
2500	2100	1980	970	765	3200	3200	80
3000	2200	2070	1050	853	3355	3355	85
4000	2135	2016	1136	939	3275	3275	96
5000	2343	2212	1247	1027	3358	3358	104

Weight unit is Kilograms. All measurements in mm. Measurements, weights, and drawings, are based on industry standards. Deviation margins need to be taken in mind, this is your own responsibility and not from Castle Hills AS.