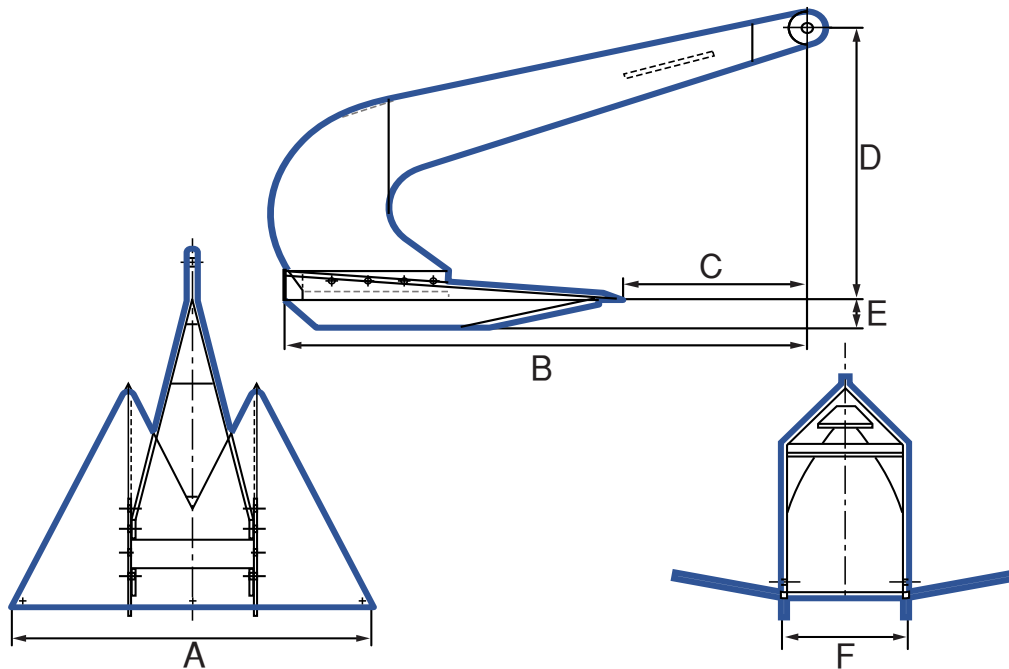




Stingray – Plough Anchors



Weight	A	B	C	D	E	F
50	1013	1023	347	598	54	368
75	1060	1070	363	625	58	385
100	1171	1182	401	691	64	426
150	1258	1271	432	742	69	458
250	1515	1530	519	895	83	556
375	1748	1765	599	1031	96	635
500	2024	2045	694	1190	111	736
750	2222	2243	761	1311	122	808
1000	2491	2516	854	1470	136	905
2000	3078	3109	1055	1817	168	1119
3000	3638	3719	1312	2160	197	1311
5000	4248	4291	1456	2504	232	1544

Weight unit is Kilograms. All measurements in mm. Measurements, weights, and drawings, are based on industry standards. Deviation margins need to be taken in mind, this is your own responsibility and not from Castle Hills AS.