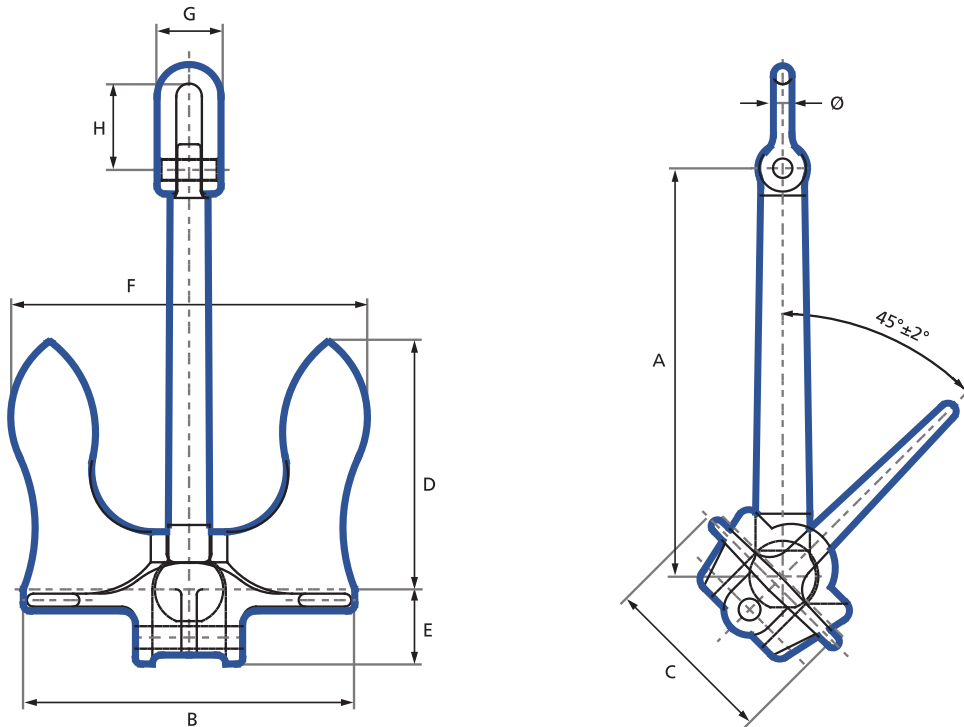




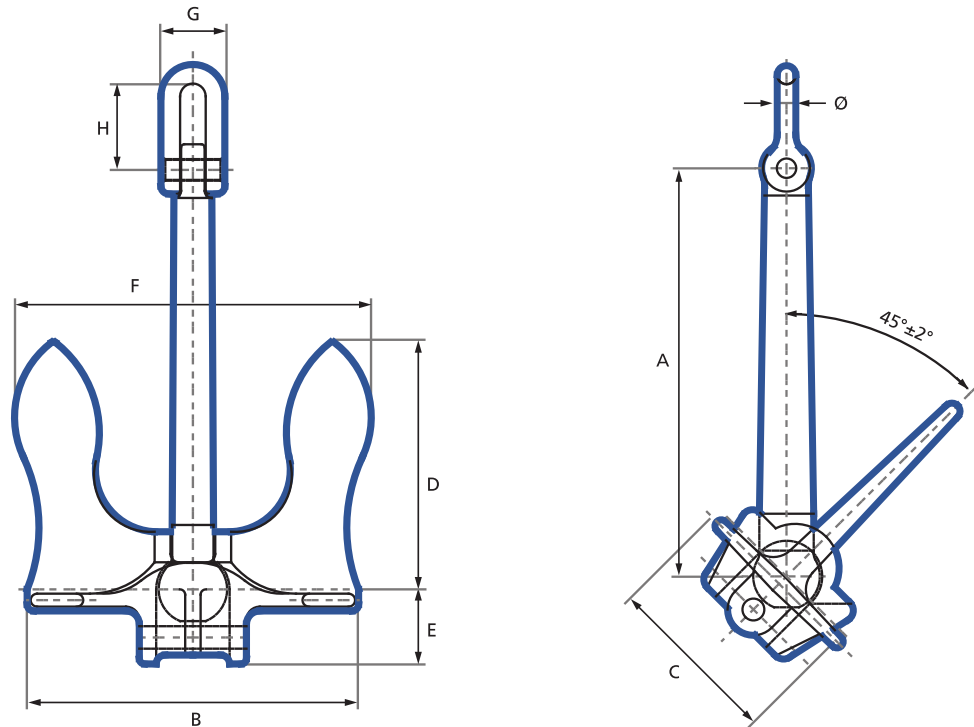
Baldt – Stockless Anchors



Weight	A	B	C	D	E	F
90	649	512	280	384	115	551
113	687	544	296	407	121	585
140	738	583	319	437	131	627
160	769	609	331	455	135	654
180	816	644	353	483	145	693
230	858	677	371	508	153	729
284	932	738	402	552	164	794
340	971	766	420	575	173	825
454	1078	850	466	638	192	916
550	1183	933	511	700	210	1005
680	1262	995	545	747	224	1082
794	1428	1126	617	845	254	1213
900	1460	1157	631	864	260	1240
1020	1477	1165	638	874	263	1254
1134	1492	1177	645	883	265	1267
1360	1544	1218	667	914	275	1312
1590	1641	1294	709	971	292	1393
1740	1673	1320	723	990	297	1421
1910	1749	1380	755	1035	311	1485
2041	1803	1422	779	1067	321	1531
2270	1857	1465	802	1099	330	1577
2495	1909	1508	825	1130	340	1622

Weight unit is Kilograms. All measurements in mm. Measurements, weights, and drawings, are based on industry standards. Deviation margins need to be taken in mind, this is your own responsibility and not from Castle Hills AS.

Stockless Anchors – Baldt



Weight	A	B	C	D	E	F
2721	2017	1592	872	1194	359	1713
2948	2044	1613	883	1210	364	2092
3175	2092	1650	904	1238	372	1776
3670	2152	1698	930	1274	383	1828
4536	2254	1778	974	1334	401	1914
5216	2321	1832	1003	1374	413	1972
5670	2423	1912	1046	1434	431	2058
6804	2681	2115	1159	1587	477	2277
7484	2735	2158	1182	1619	486	2323
7800	2743	2242	1226	1667	486	2516
9072	3090	2438	1335	1829	550	2626
9640	3149	2485	1361	1864	560	2675
10206	3208	2531	1386	1899	571	2725
18140	3847	3035	1662	2277	684	3267

Weight unit is Kilograms. All measurements in mm. Measurements, weights, and drawings, are based on industry standards. Deviation margins need to be taken in mind, this is your own responsibility and not from Castle Hills AS.