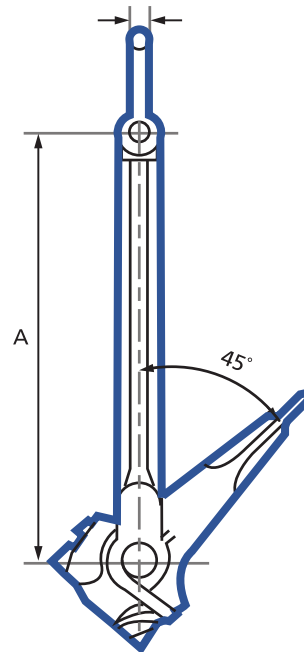
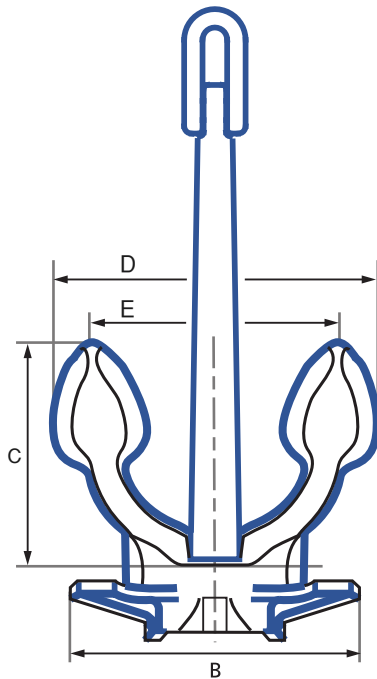




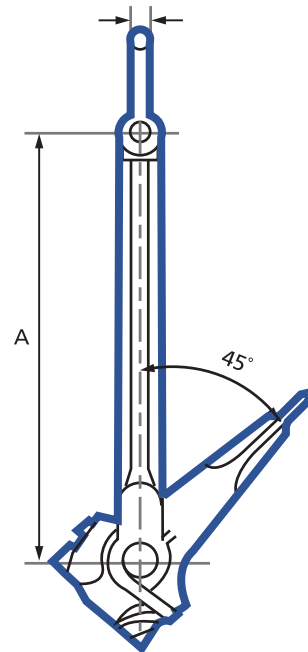
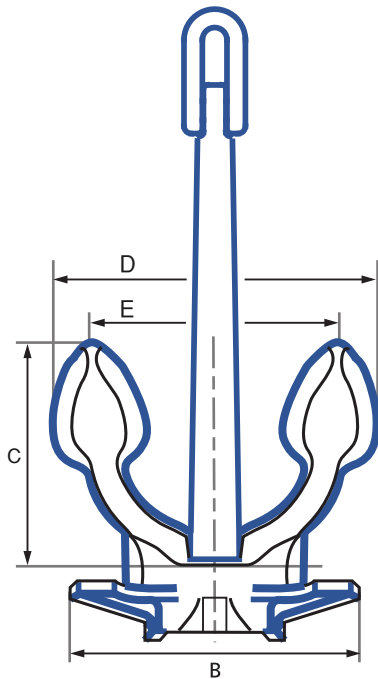
Gruson – Stockless Anchors



Weight	A	B	C	D	E
80	630	435	350	500	370
105	695	480	385	560	410
135	795	550	440	620	470
180	875	605	485	690	520
240	940	650	525	740	555
300	1000	690	555	780	590
360	1055	730	585	820	640
420	1100	760	610	860	650
480	1185	820	660	940	700
570	1260	870	700	980	745
660	1330	920	740	1040	785
780	1390	960	770	1080	820
900	1450	1000	805	1130	855
1020	1500	1035	830	1160	885
1140	1570	1082	870	1220	924
1290	1620	1120	900	1250	955
1440	1696	1170	942	1322	1000
1590	1755	1210	973	1366	1034
1740	1815	1250	1000	1400	1065
1920	1870	1288	1036	1454	1100
2100	1890	1300	1050	1470	1110
2460	2020	1394	1120	1570	1190

Weight unit is Kilograms. All measurements in mm. Measurements, weights, and drawings, are based on industry standards. Deviation margins need to be taken in mind, this is your own responsibility and not from Castle Hills AS.

Stockless Anchors – Gruson



Weight	A	B	C	D	E
2640	2040	1400	1200	1130	1580
2850	2130	1468	1256	1182	1660
3300	2236	1542	1318	1242	1742
3540	2290	1570	1340	1265	1770
3780	2340	1614	1380	1298	1822
4050	2380	1645	1400	1320	1850
4320	2446	1688	1442	1358	1906
4590	2475	1710	1460	1380	1920
4890	2540	1758	1504	1416	1988
5250	2560	1780	1510	1420	1990
5610	2680	1840	1574	1482	2080
6000	2730	1885	1610	1515	2110
6450	2794	1926	1646	1550	2177
6900	2860	1978	1696	1600	2230
7350	2920	2014	1722	1621	2276
7800	3000	2054	1770	1660	2340
8300	3040	2090	1792	1688	2360
8700	3090	2130	1820	1712	2400
9300	3150	2176	1860	1750	2450
9900	3220	2220	1898	1787	2510
10500	3290	2268	1940	1826	2562
11100	3360	2312	1976	1862	2612

Weight unit is Kilograms. All measurements in mm. Measurements, weights, and drawings, are based on industry standards. Deviation margins need to be taken in mind, this is your own responsibility and not from Castle Hills AS.