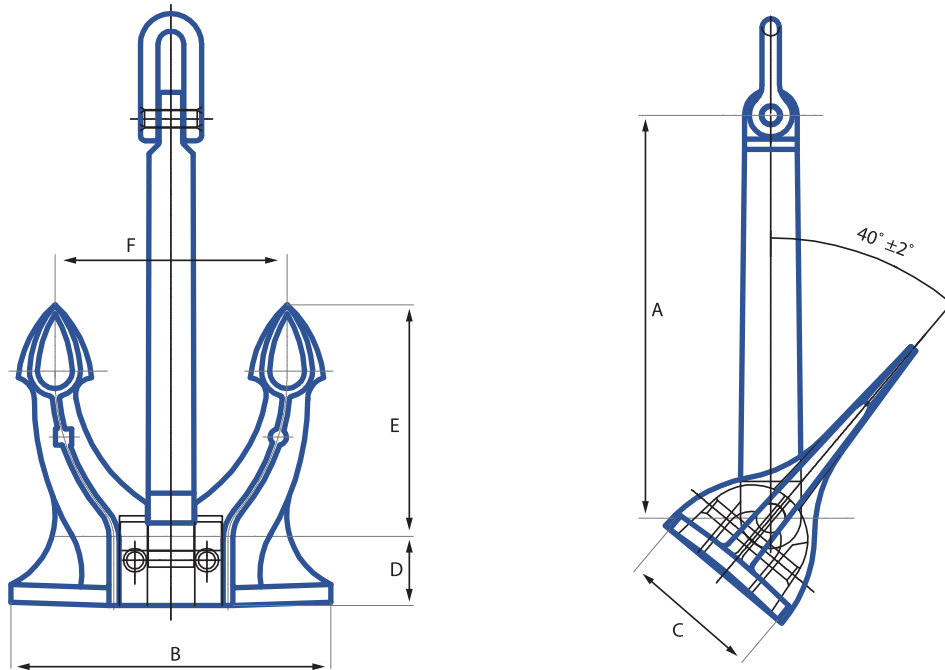




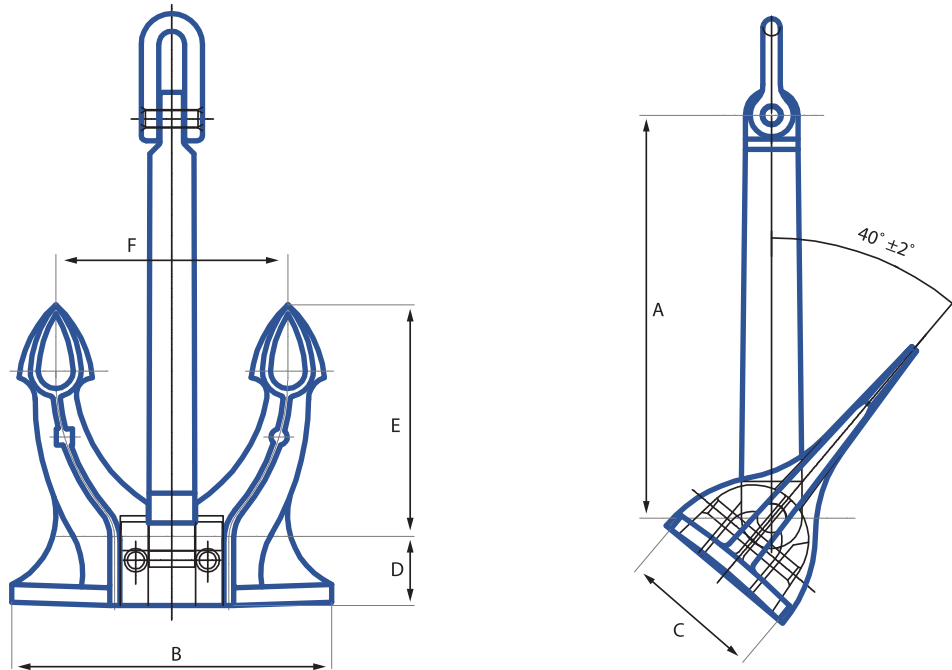
Spek – Stockless Anchors



Weight	A	B	C	D	E	F
50	537	411	185	89	298	298
75	638	489	213	106	355	355
100	703	539	234	117	390	390
140	786	603	262	131	437	437
180	855	655	285	142	475	475
240	900	690	300	150	500	500
300	990	760	330	166	550	550
360	1080	828	360	180	600	600
420	1080	828	360	180	600	600
480	1170	900	390	196	650	650
570	1170	900	390	196	650	650
660	1260	962	420	210	700	700
780	1350	1032	450	225	750	750
900	1440	1100	480	240	800	800
1020	1530	1170	510	252	850	850
1140	1620	1240	540	268	900	900
1290	1710	1240	540	268	900	900
1440	1710	1300	570	279	950	950
1590	1710	1300	570	279	950	950
1740	1800	1378	600	300	1000	1000
1920	1890	1454	630	312	1050	1050
2100	1890	1454	630	312	1050	1050

Weight unit is Kilograms. All measurements in mm. Measurements, weights, and drawings, are based on industry standards. Deviation margins need to be taken in mind, this is your own responsibility and not from Castle Hills AS.

Stockless Anchors – Spek

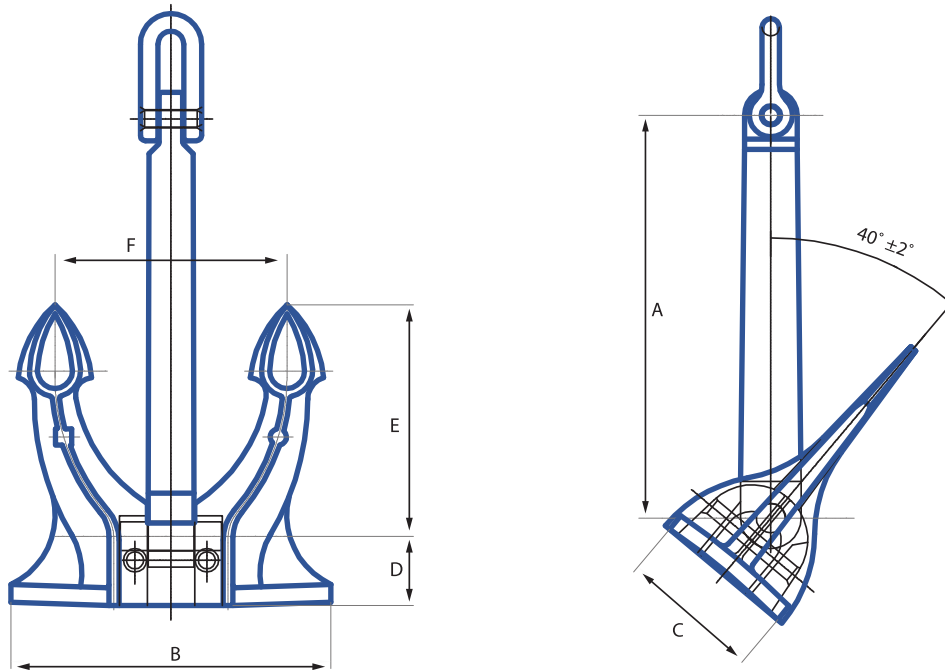


Weight	A	B	C	D	E	F
2280	1980	1454	630	312	1050	1050
2460	2010	1514	660	324	1100	1100
2640	2070	1584	690	352	1150	1150
2850	2070	1584	690	352	1150	1150
3060	2160	1650	720	360	1200	1200
3300	2160	1650	720	360	1200	1200
3540	2350	1650	720	360	1200	1200
3780	2430	1850	810	393	1350	1350
4050	2430	1850	810	393	1350	1350
4320	2520	1926	852	413	1400	1400
4590	2520	1926	852	413	1400	1400
4890	2520	1926	852	413	1400	1400
5250	2610	2000	870	414	1450	1450
5610	2610	2000	870	414	1450	1450
6000	2700	2060	900	446	1500	1500
6450	2700	2060	900	446	1500	1500
6900	2890	2138	930	456	1550	1550
7350	2890	2138	930	456	1550	1550
7800	2920	2138	930	456	1550	1550
8300	3060	2332	1020	510	1700	1700
8700	3060	2332	1020	510	1700	1700
9300	3060	2332	1020	510	1700	1700

Weight unit is Kilograms. All measurements in mm. Measurements, weights, and drawings, are based on industry standards. Deviation margins need to be taken in mind, this is your own responsibility and not from Castle Hills AS.



Spek – Stockless Anchors



Weight	A	B	C	D	E	F
9900	3160	2332	1020	510	1700	1700
10500	3190	2440	1060	531	1770	1770
11100	3290	2440	1060	531	1770	1770
11700	3390	2440	1060	531	1770	1770
12300	3440	2632	1146	573	1910	1910
12900	3440	2632	1146	573	1910	1910
13500	3440	2632	1146	573	1910	1910
14100	3440	2632	1146	573	1910	1910
14700	3690	2824	1230	615	2050	2050
15400	3690	2824	1230	615	2050	2050
16100	3690	2824	1230	615	2050	2050
16900	3820	2922	1270	636	2120	2120
17800	3920	2922	1270	636	2120	2120
18800	3970	3018	1314	657	2190	2190
20000	4070	3018	1314	657	2190	2190
21500	4168	3090	1346	673	2243	2243
23000	4265	3163	1377	689	2295	2295
24500	4355	3229	1406	703	2343	2343
26000	4440	3293	1434	717	2389	2389
27500	4526	3356	1461	731	2435	2435
29000	4621	3438	1494	748	2494	2494

Weight unit is Kilograms. All measurements in mm. Measurements, weights, and drawings, are based on industry standards. Deviation margins need to be taken in mind, this is your own responsibility and not from Castle Hills AS.