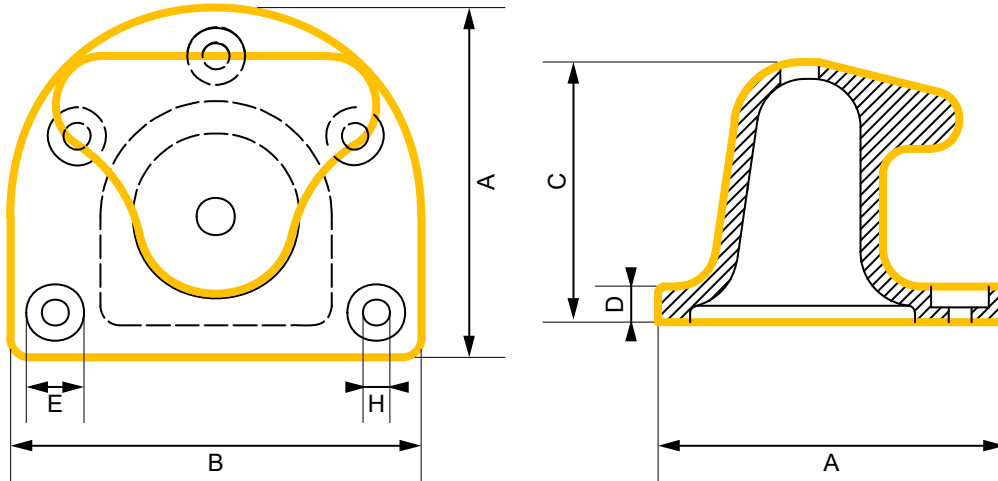




TEE Head – Bollards



WLL (Tones)	A	B	C	D	E	H	Qty Bolts	Bolt Type	Bolt Length
5	275	306	212	42	50	24	5	M20	400
10	350	400	275	50	60	30	5	M24	450
20	410	483	290	50	60	30	5	M24	550
30	540	600	380	65	85	36	5	M30	600
50	470	640	405	55	90	42	5	M36	600
80	550	640	450	70	92	50	6	M42	800
100	640	790	490	80	100	50	7	M42	1000
150	750	900	525	90	124	64	7	M56	1000
200	850	1000	590	90	124	64	8	M56	1100

Weight unit is Kilograms. All measurements in mm. Measurements, weights, and drawings, are based on industry standards. Deviation margins need to be taken in mind, this is your own responsibility and not from Castle Hills AS. Each size has a slightly different drawing.